

Job Name: 25-1431 - Georgetown Commons
Job Location: Georgetown, KY
Contractor: Winwater Hartford KY Co.

PC: A. Chambers
 TECH: J. Coppage
 Plant: Beaver Dam



Structure ID: **CBI 203**
 Spec: KYTC
 Type: CBI TYPE A (5')
 Size: 60" x 60"

Rim: 872.83'
 Invert: 858.5'
 Rim to Invert: 14.33'

Sump: 5"
 Floor (Top): 858.083'
 Floor Height: 8"

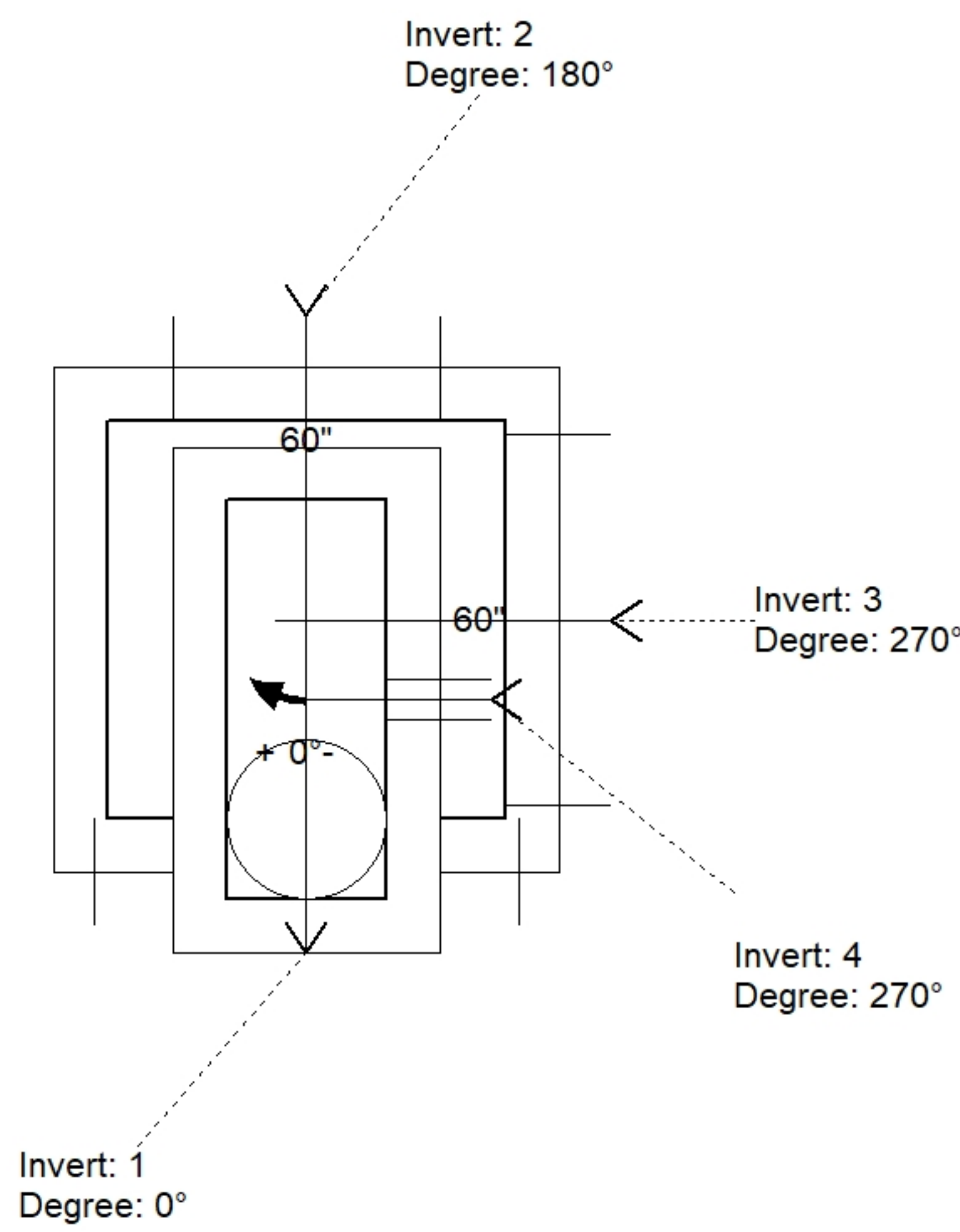
Floor (Bot): 857.417'
 Overall Height: 15.333'
 Slack: 0.96"

Structure Notes:

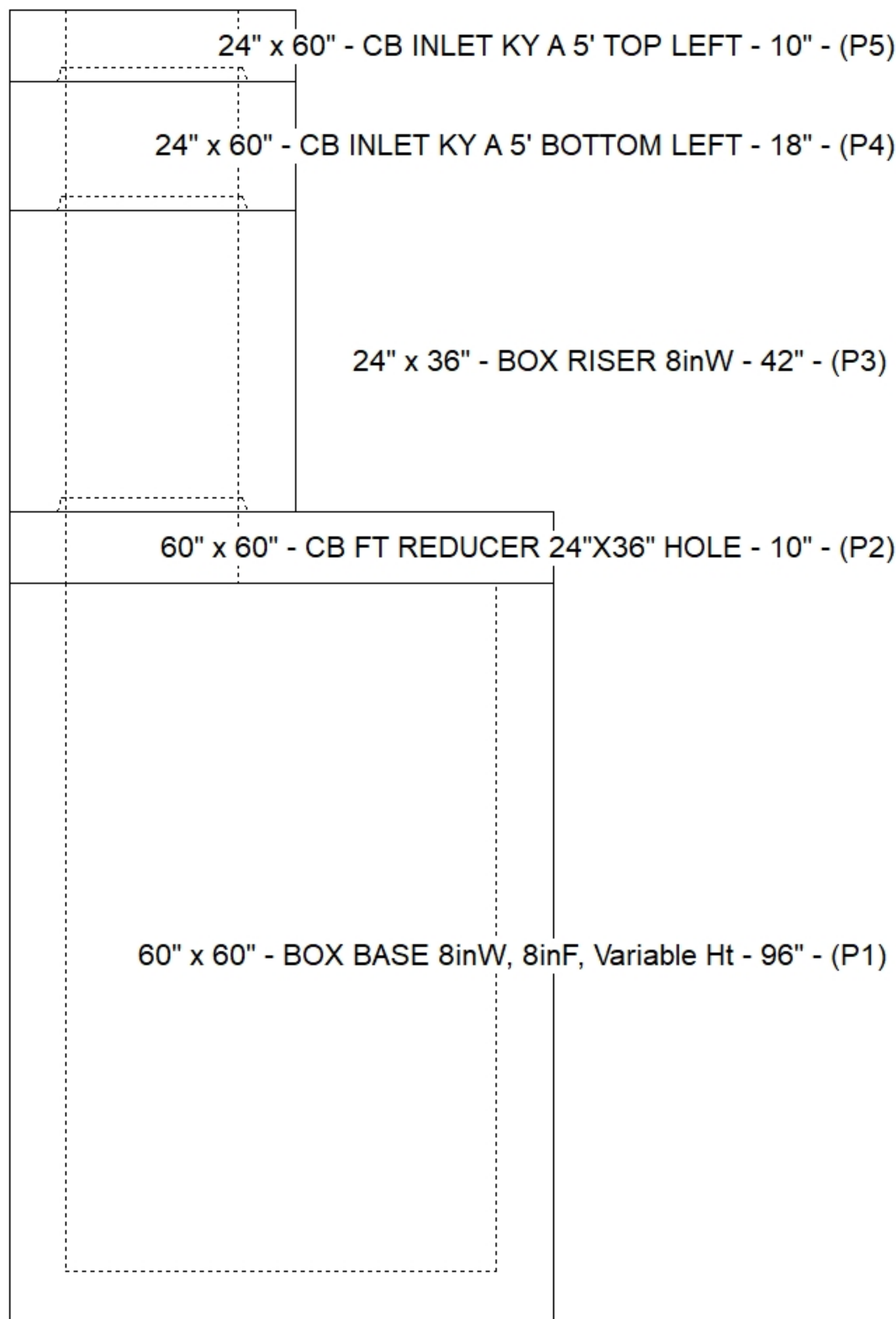
- JR HOE KY-206 PROVIDED BY ICAST.
- CASTING FRAME TO BE CAST INTO THE TOP PHASE.
- PER KYTC CBI TYPE A / ASTM C478 SPEC'S.
- CONCRETE = 4,000 PI AT 28 DAYS.
- REINFORCING PER ASTM A615 (GRADE 60).
 - TOP PHASE (As .62) #5 BARS AT 6" C.C.E.W.
 - WALLS (As .31) #5 BARS AT 12" C.C.E.W.
 - FLOOR (As .31) #5 BARS AT 12" C.C.E.W.

STRUCTURE SUMMARY:

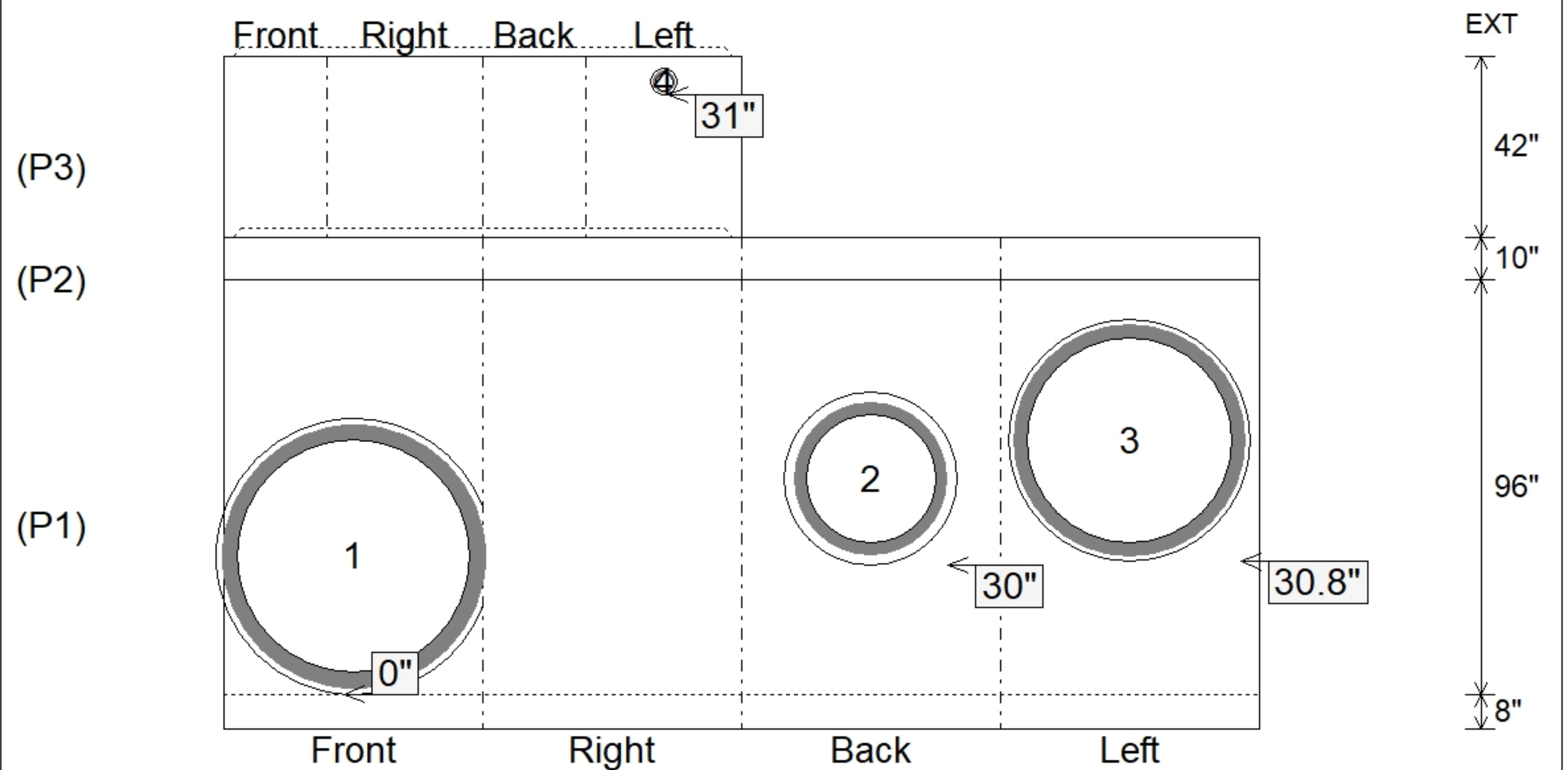
P5) 24" x 60" - CB INLET KY A 5' TOP LEFT - 10"	1895 lb
P4) 24" x 60" - CB INLET KY A 5' BOTTOM LEFT - 18"	2670 lb
P3) 24" x 36" - BOX RISER 8inW - 42"	4267 lb
P2) 60" x 60" - CB FT REDUCER 24"X36" HOLE - 10"	4122 lb
P1) 60" x 60" - BOX BASE 8inW, 8inF, Variable Ht - 96"	17290 lb
1) SECONDARY POUR - WALLS	0 lb
1) 60" x 60" - Conseal CS-102 1.00"	0 lb
2) 24" x 36" - Conseal CS-102 1.00"	0 lb
1) Hole - 64	0 lb
1) Hole - 40	0 lb
1) Hole - 56	0 lb
1) Hole - 6	0 lb
Structure Total:	30243 lb



Position	Elev	Angle	Pipe	Pipe OD	Hole	Connector	Up ()	Ref
Rim	872.83'							
Reducer	866.083'							
Invert 1	858.5'	0°	54" HDPE	61"	64"	Hole 64	0"	P1
Invert 2	861'	180°	30" HDPE	35.1"	40"	Hole 40	30"	P1
Invert 3	861'	270°	48" HDPE	53.5"	56"	Hole 56	30.8"	P1
Invert 4	869.75'	270°	4" HDPE (perf pipe)	4.8"	6"	Hole 6	31"	P3
Invert 5								
Invert 6								
Invert 7								
Invert 8								



Default - Interior Dimensions



Submittal Drawing
 4/24/2026 11:01:09 AM

SUBMITTAL
 APPROVED BY: