

Job Name: 25-1431 - Georgetown Commons  
 Job Location: Georgetown, KY  
 Contractor: Winwater Hartford KY Co.

Plant: Beaver Dam

Tech: J. Coppage

4/23/2026 11:20:36 AM

PC: A. Chambers



**Structure ID: CBI 203**

**P1 BX6060-08BAVF**

**BOX BASE 8inW, 8inF, Variable Ht**

- P5) 24" x 60" - CB INLET KY A 5' TOP LEFT - 10"
- P4) 24" x 60" - CB INLET KY A 5' BOTTOM LEFT - 18"
- P3) 24" x 36" - BOX RISER 8inW - 42"
- P2) 60" x 60" - CB FT REDUCER 24"X36" HOLE - 10"
- P1) 60" x 60" - BOX BASE 8inW, 8inF, Variable Ht - 96"
- 1) SECONDARY POUR - WALLS
- 1) 60" x 60" - Conseal CS-102 1.00"
- 2) 24" x 36" - Conseal CS-102 1.00"
- 1) Hole - 64
- 1) Hole - 40
- 1) Hole - 56
- 1) Hole - 6

1895 lb  
 2670 lb  
 4267 lb  
 4122 lb  
 17290 lb  
 0 lb  
 0 lb  
 0 lb  
 0 lb  
 0 lb  
 0 lb  
 0 lb  
 0 lb

Structure Total: 30243 lb

**Structure Notes:**

1. JR HOE KY-206 PROVIDED BY ICAST.
2. CASTING FRAME TO BE CAST INTO THE TOP PHASE.
3. PER KYTC CBI TYPE A / ASTM C478 SPEC'S.
4. CONCRETE = 4,000 PI AT 28 DAYS.
5. REINFORCING PER ASTM A615 (GRADE 60).  
 - TOP PHASE (As .62) #5 BARS AT 6" C.C.E.W.  
 - WALLS (As .31) #5 BARS AT 12" C.C.E.W.  
 - FLOOR (As .31) #5 BARS AT 12" C.C.E.W.

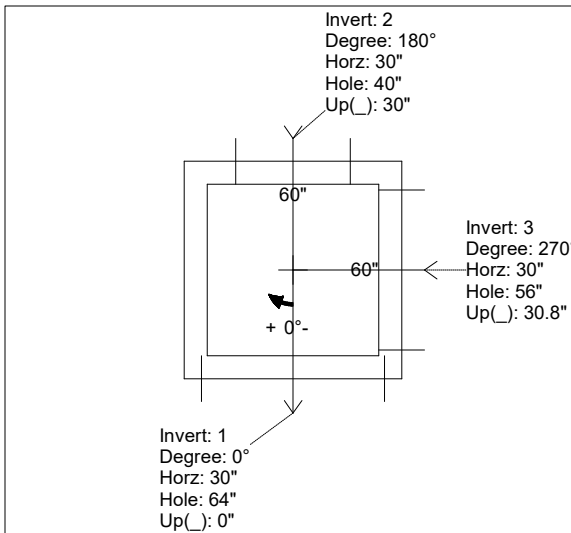
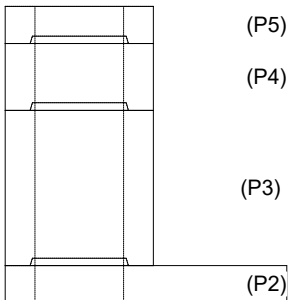
**FIRST POUR DRAWING**

Rim: 872.83' Rim to Invert: 14.33' Slack: 0.96" Sump: 5" Step Position:

Position	Elev	Angle	Ext. (cw)	Pipe	Pipe OD	Connector	Hole	Horz Size	Up (↓)	Offset
Invert 1	858.5'	0°	38"	54" HDPE	61"	Hole 64	64"	62"	0"	0"
Invert 2	861'	180°	38"	30" HDPE	35.1"	Hole 40	40"	40"	30"	0"
Invert 3	861'	270°	38"	48" HDPE	53.5"	Hole 56	56"	56"	30.8"	0"
Invert 4										
Invert 5										
Invert 6										
Invert 7										
Invert 8										

RIGHT-SIDE UP VIEW (int. dimensions)

UPSIDE-DOWN VIEW (int. dimensions)



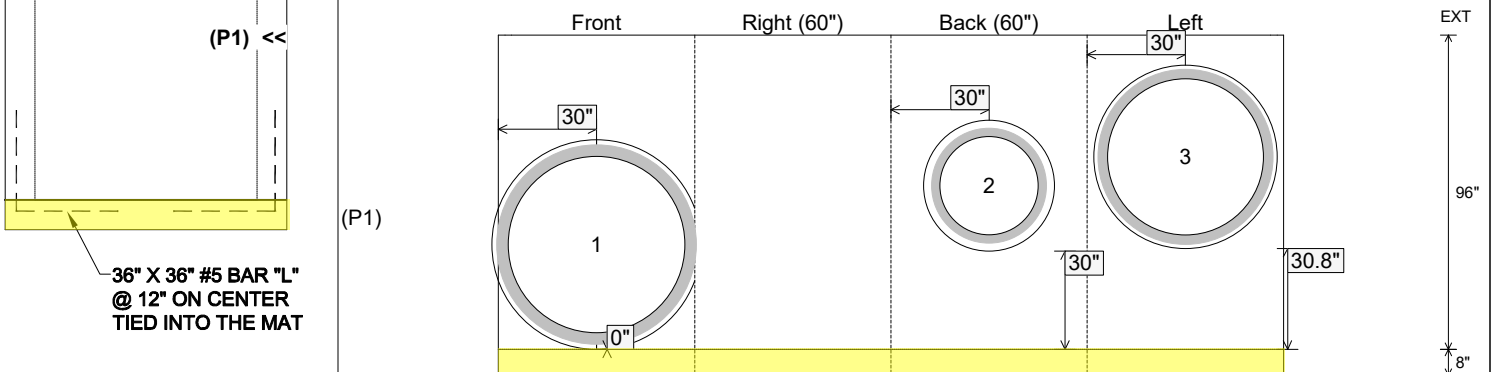
**WEIGHTS:**

**FIRST POUR - 3,877 LBS.**

**SECOND POUR - 13,413 LBS.**

**TOTAL - 17,290 LBS.**

INSIDE WALL DIMENSIONS



Coating (Int):  
 Coating (Ext):

Seam Up: Flat  
 Seam Dn: n/a

Wall Thickness: 8"  
 Floor Height: 8"

Height (Int): 96"  
 Height (Ext): 104"

Weight (Net): 17290 lb  
 Volume (Net): 4.42cu.yd

Job Name: 25-1431 - Georgetown Commons  
 Job Location: Georgetown, KY  
 Contractor: Winwater Hartford KY Co.

Plant: Beaver Dam

Tech: J. Coppage

4/23/2026 11:20:36 AM

PC: A. Chambers



**Structure ID: CBI 203**

**P1 BX6060-08BAVF**

**BOX BASE 8inW, 8inF, Variable Ht**

- P5) 24" x 60" - CB INLET KY A 5' TOP LEFT - 10"
  - P4) 24" x 60" - CB INLET KY A 5' BOTTOM LEFT - 18"
  - P3) 24" x 36" - BOX RISER 8inW - 42"
  - P2) 60" x 60" - CB FT REDUCER 24"X36" HOLE - 10"
  - P1) 60" x 60" - BOX BASE 8inW, 8inF, Variable Ht - 96"
- 1) SECONDARY POUR - WALLS
- 1) 60" x 60" - Conseal CS-102 1.00"
  - 2) 24" x 36" - Conseal CS-102 1.00"
- 1) Hole - 64  
 1) Hole - 40  
 1) Hole - 56  
 1) Hole - 6

1895 lb  
 2670 lb  
 4267 lb  
 4122 lb  
 17290 lb  
 0 lb  
 0 lb  
 0 lb  
 0 lb  
 0 lb  
 0 lb  
 0 lb  
 0 lb  
 0 lb

**Structure Notes:**

1. JR HOE KY-206 PROVIDED BY ICAST.
2. CASTING FRAME TO BE CAST INTO THE TOP PHASE.
3. PER KYTC CBI TYPE A / ASTM C478 SPEC'S.
4. CONCRETE = 4,000 PI AT 28 DAYS.
5. REINFORCING PER ASTM A615 (GRADE 60).  
 - TOP PHASE (As .62) #5 BARS AT 6" C.C.E.W.  
 - WALLS (As .31) #5 BARS AT 12" C.C.E.W.  
 - FLOOR (As .31) #5 BARS AT 12" C.C.E.W.

Structure Total: 30243 lb

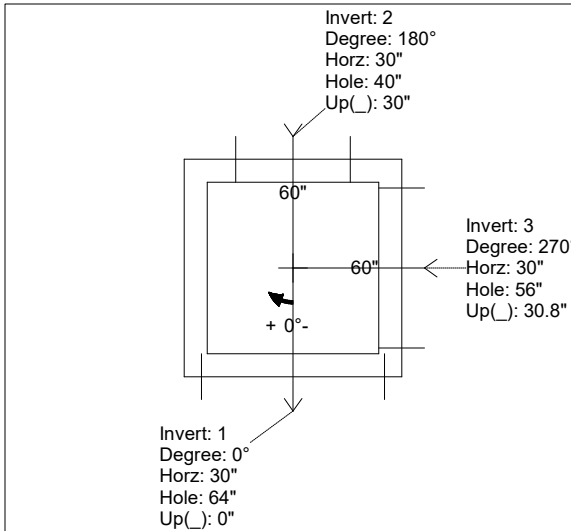
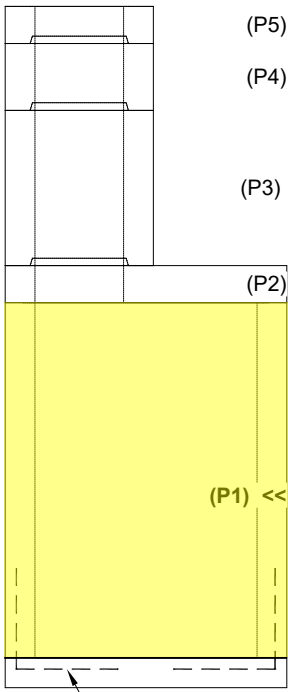
**SECOND POUR DRAWING**

Rim: 872.83' Rim to Invert: 14.33' Slack: 0.96" Sump: 5" Step Position:

Position	Elev	Angle	Ext. (cw)	Pipe	Pipe OD	Connector	Hole	Horz Size	Up (↓)	Offset
Invert 1	858.5'	0°	38"	54" HDPE	61"	Hole 64	64"	62"	0"	0"
Invert 2	861'	180°	38"	30" HDPE	35.1"	Hole 40	40"	40"	30"	0"
Invert 3	861'	270°	38"	48" HDPE	53.5"	Hole 56	56"	56"	30.8"	0"
Invert 4										
Invert 5										
Invert 6										
Invert 7										
Invert 8										

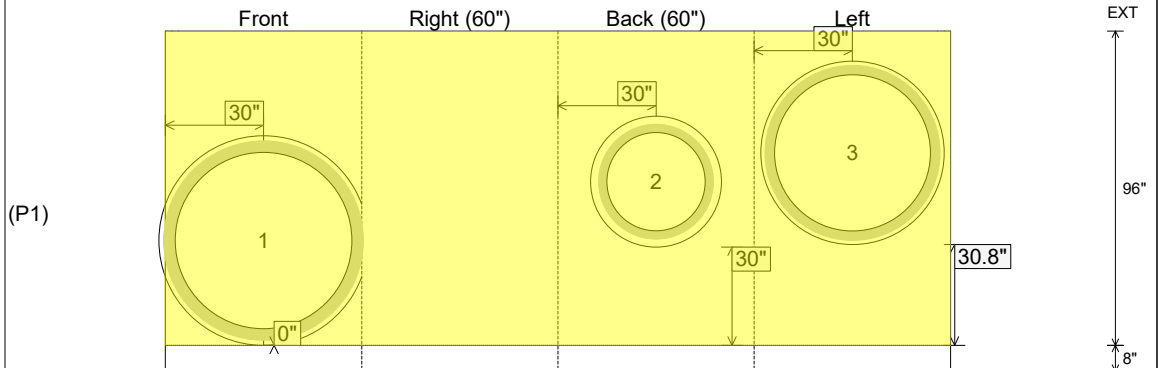
RIGHT-SIDE UP VIEW (int. dimensions)

UPSIDE-DOWN VIEW (int. dimensions)



**WEIGHTS:**  
**FIRST POUR - 3,877 LBS.**  
**SECOND POUR - 13,413 LBS.**  
**TOTAL - 17,290 LBS.**

INSIDE WALL DIMENSIONS



Coating (Int):  
 Coating (Ext):

Seam Up: Flat  
 Seam Dn: n/a

Wall Thickness: 8"  
 Floor Height: 8"

Height (Int): 96"  
 Height (Ext): 104"

Weight (Net): 17290 lb  
 Volume (Net): 4.42cu.yd