

**Job Name: 25-1431 - Georgetown Commons**  
**Job Location: Georgetown, KY**  
**Contractor: Winwater Hartford KY Co.**

PC: A. Chambers  
 TECH: J. Coppage  
 Plant: Beaver Dam



Structure ID: **CBI 150**  
 Spec: KYTC  
 Type: CBI TYPE A (15')  
 Size: 24" x 36"

Rim: 869.93'  
 Invert: 866.166'  
 Rim to Invert: 3.764'

Sump: 1.5"  
 Floor (Top): 866.041'  
 Floor Height: 8"

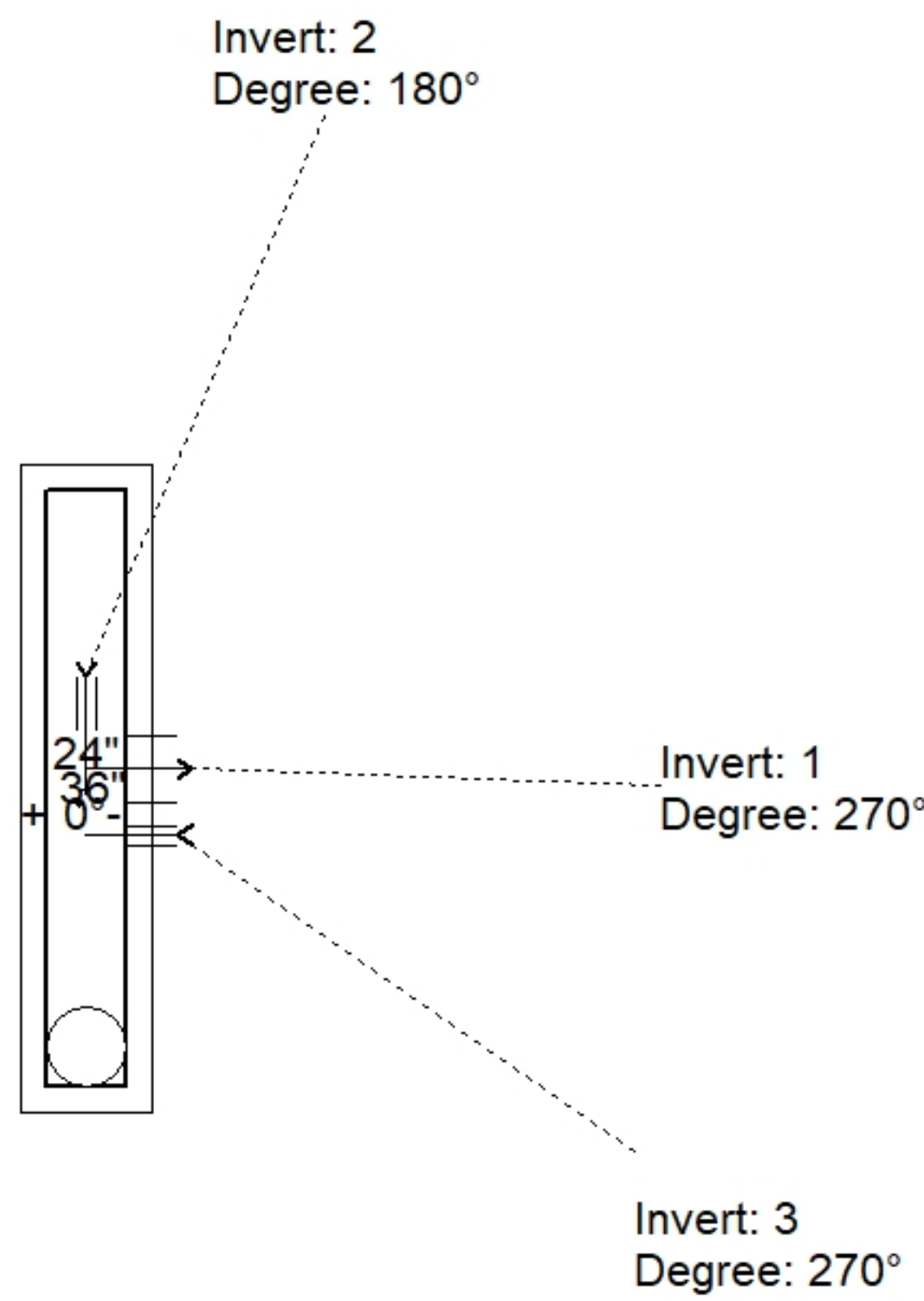
Floor (Bot): 865.374'  
 Overall Height: 4.5'  
 Slack: 0.668"

**Structure Notes:**

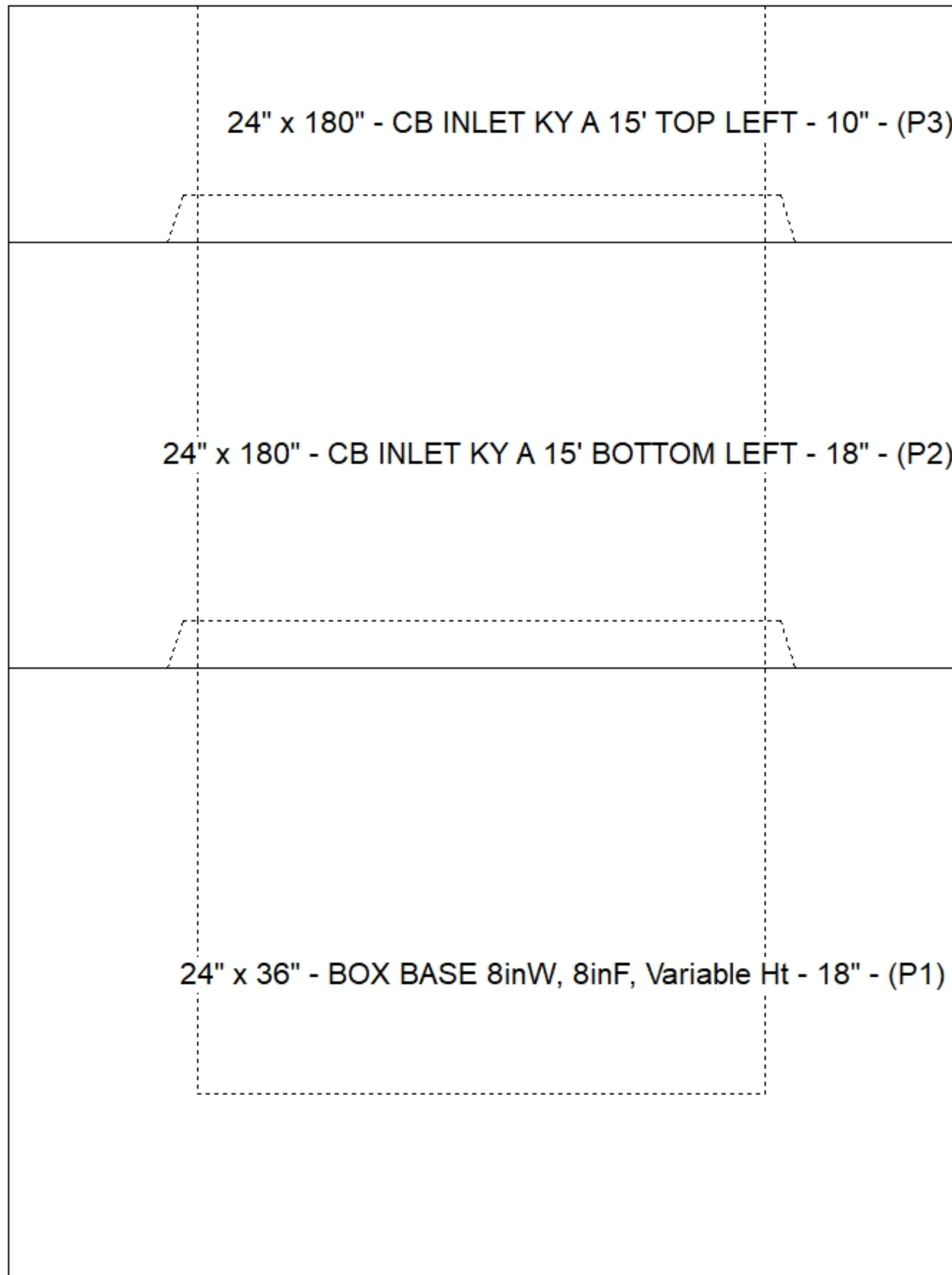
- JR HOE KY-206 PROVIDED BY ICAST.
- CASTING FRAME TO BE CAST INTO THE TOP PHASE.
- PER KYTC CBI TYPE A / ASTM C913 SPEC'S.
- CONCRETE = 4,000 PI AT 28 DAYS.
- REINFORCING PER ASTM A615 (GRADE 60).  
 - TOP PHASE (As .62) #5 BARS AT 6" C.C.E.W.  
 - WALLS (As .31) #5 BARS AT 12" C.C.E.W.  
 - FLOOR (As .31) #5 BARS AT 12" C.C.E.W.
- INVERT 1 HAS BEEN LOWERED 1" TO ALLOW FOR IT TO FIT UNDERNEATH THE TOP PHASE.

**STRUCTURE SUMMARY:**

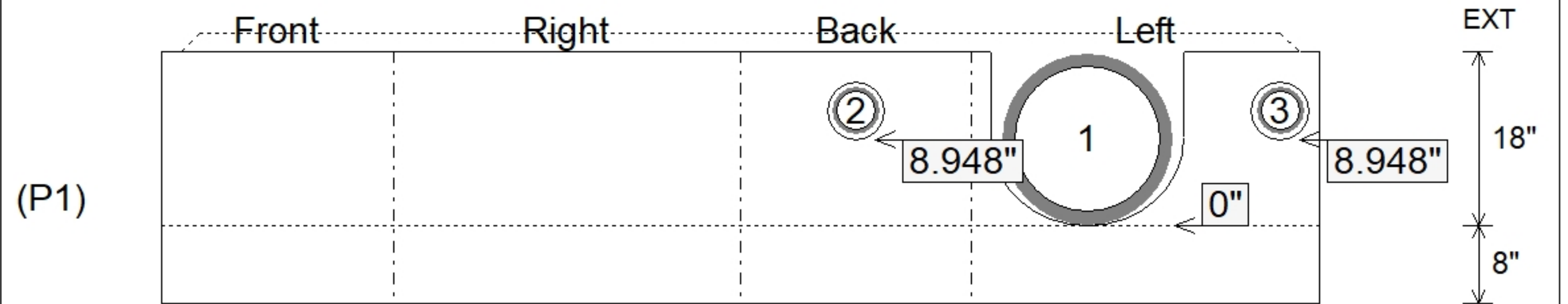
P3) 24" x 180" - CB INLET KY A 15' TOP LEFT - 10"	5759 lb
P2) 24" x 180" - CB INLET KY A 15' BOTTOM LEFT - 18"	10035 lb
P1) 24" x 36" - BOX BASE 8inW, 8inF, Variable Ht - 18"	2979 lb
1) 24" x 36" - Conseal CS-102 1.00"	0 lb
1) DOGHOUSE INVRTD - 20"x18"	0 lb
2) Hole - 6	0 lb
<b>Structure Total:</b>	<b>18773 lb</b>



Position	Elev	Angle	Pipe	Pipe OD	Hole	Connector	Up (")	Ref
Rim	869.93'							
Reducer								
Invert 1	866.166'	270°	15" HDPE	17.6"	20" x 18"	DOGHOUSE INVRTD 20"x18"	0"	P1
Invert 2	866.87'	180°	4" HDPE (perf pipe)	4.8"	6"	Hole 6	8.948"	P1
Invert 3	866.87'	270°	4" HDPE	4.8"	6"	Hole 6	8.948"	P1
Invert 4								
Invert 5								
Invert 6								
Invert 7								
Invert 8								



**Default - Interior Dimensions**



Submittal Drawing  
 4/24/2026 11:01:05 AM

SUBMITTAL  
 APPROVED BY: