

Job Name: 25-1431 - Georgetown Commons
 Job Location: Georgetown, KY
 Contractor: Winwater Hartford KY Co.

Plant: Beaver Dam

Tech: J. Coppage

4/23/2026 11:20:28 AM

PC: A. Chambers



Structure ID: CBI 150

P1 BX2436-08BVF

BOX BASE 8inW, 8inF, Variable Ht

- P3) 24" x 180" - CB INLET KY A 15' TOP LEFT - 10"
- P2) 24" x 180" - CB INLET KY A 15' BOTTOM LEFT - 18"
- P1) 24" x 36" - BOX BASE 8inW, 8inF, Variable Ht - 18"
- 1) 24" x 36" - Conseal CS-102 1.00"
- 1) DOGHOUSE INVRTD - 20"x18"
- 2) Hole - 6

- Structure Notes:
1. JR HOE KY-206 PROVIDED BY ICAST.
 2. CASTING FRAME TO BE CAST INTO THE TOP PHASE.
 3. PER KYTC CBI TYPE A / ASTM C913 SPEC'S.
 4. CONCRETE = 4,000 PI AT 28 DAYS.
 5. REINFORCING PER ASTM A615 (GRADE 60).
 - TOP PHASE (As .62) #5 BARS AT 6" C.C.E.W.
 - WALLS (As .31) #5 BARS AT 12" C.C.E.W.
 - FLOOR (As .31) #5 BARS AT 12" C.C.E.W.

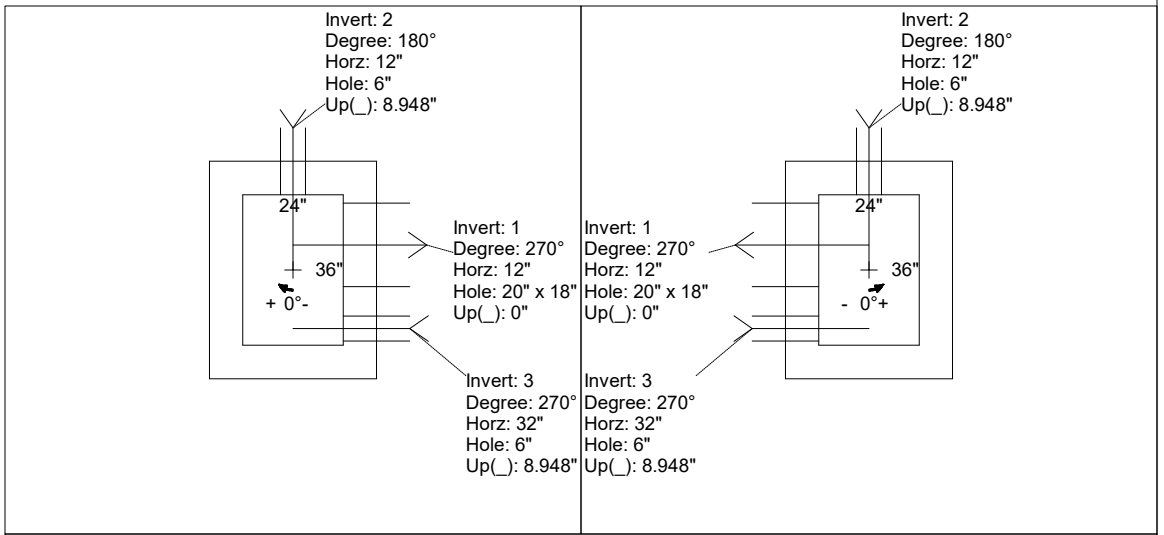
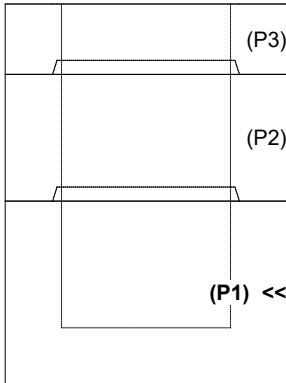
Structure Total: 18773 lb

Rim: 869.93' Rim to Invert: 3.764' Slack: 0.668" Sump: 1.5" Step Position:

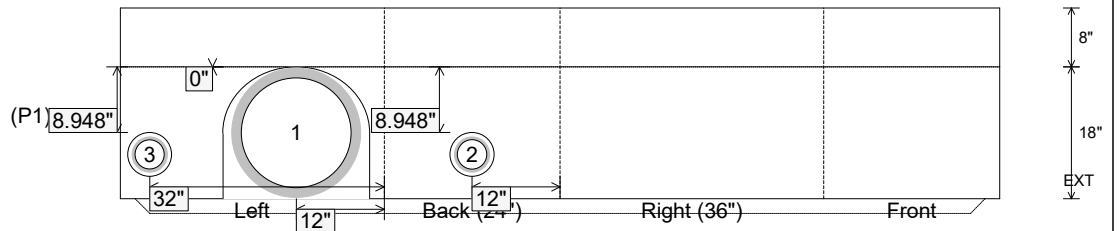
Position	Elev	Angle	Ext. (cw)	Pipe	Pipe OD	Connector	Hole	Horz Size	Up ()	Offset
Invert 1	866.166'	270°	20"	15" HDPE	17.6"	DOGHOUSE INVRTD 20"x18"	20" x 18"	20"	0"	-6"
Invert 2	866.87'	180°	20"	4" HDPE (perf pipe)	4.8"	Hole 6	6"	6"	8.948"	0"
Invert 3	866.87'	270°	40"	4" HDPE	4.8"	Hole 6	6"	6"	8.948"	14"
Invert 4										
Invert 5										
Invert 6										
Invert 7										
Invert 8										

RIGHT-SIDE UP VIEW (int. dimensions)

UPSIDE-DOWN VIEW (int. dimensions)



INSIDE WALL DIMENSIONS



Coating (Int):
 Coating (Ext):

Seam Up: Tongue
 Seam Dn: n/a

Wall Thickness: 8"
 Floor Height: 8"

Height (Int): 18"
 Height (Ext): 26"

Weight (Net): 2979 lb
 Volume (Net): 0.76cu.yd