

Job Name: 25-1431 - Georgetown Commons
 Job Location: Georgetown, KY
 Contractor: Winwater Hartford KY Co.

Plant: Beaver Dam

Tech: J. Coppage

4/23/2026 11:20:24 AM

PC: A. Chambers



Structure ID: CBI 135

P1 BX2436-08BVF

BOX BASE 8inW, 8inF, Variable Ht

- P3) 24" x 60" - CB INLET KY A 5' TOP LEFT - 10"
- P2) 24" x 60" - CB INLET KY A 5' BOTTOM LEFT - 18"
- P1) 24" x 36" - BOX BASE 8inW, 8inF, Variable Ht - 21"
- 1) 24" x 36" - Conseal CS-102 1.00"
- 1) DOGHOUSE INVRTD - 20"x20"
- 1) Hole - 6

- Structure Notes:**
1. JR HOE KY-206 PROVIDED BY ICAST.
 2. CASTING FRAME TO BE CAST INTO THE TOP PHASE.
 3. PER KYTC CBI TYPE A / ASTM C913 SPEC'S.
 4. CONCRETE = 4,000 PI AT 28 DAYS.
 5. REINFORCING PER ASTM A615 (GRADE 60).
 - TOP PHASE (As .62) #5 BARS AT 6" C.C.E.W.
 - WALLS (As .31) #5 BARS AT 12" C.C.E.W.
 - FLOOR (As .31) #5 BARS AT 12" C.C.E.W.

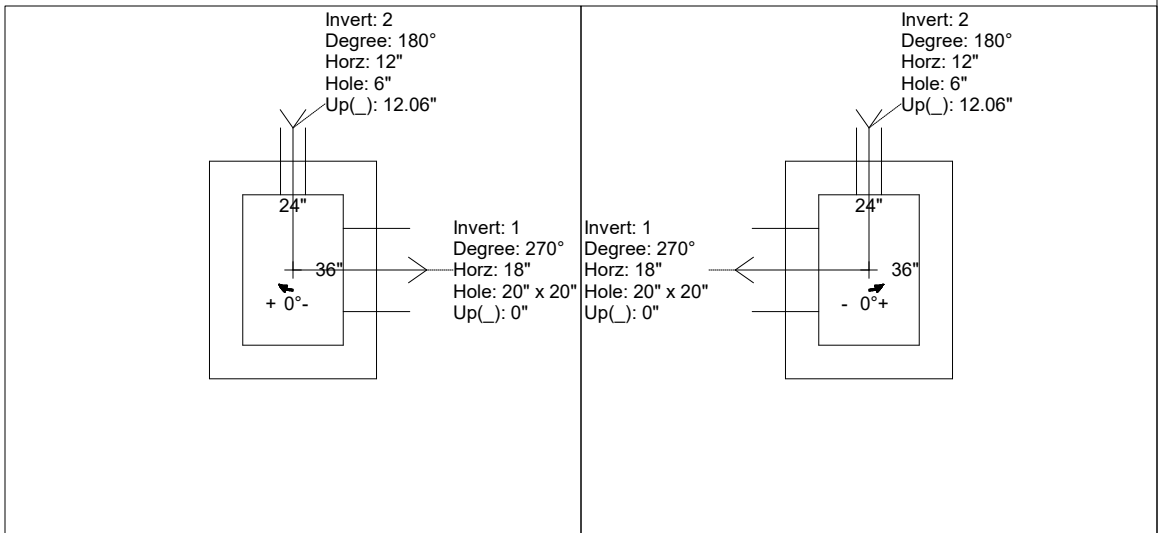
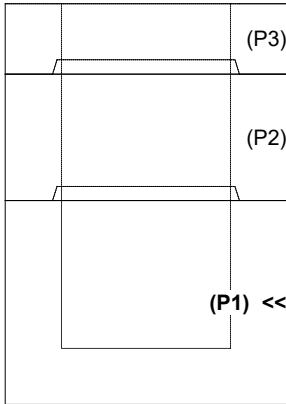
Structure Total: 7832 lb

Rim: 876.44' Rim to Invert: 3.94' Slack: 0.78" Sump: 2.5" Step Position:

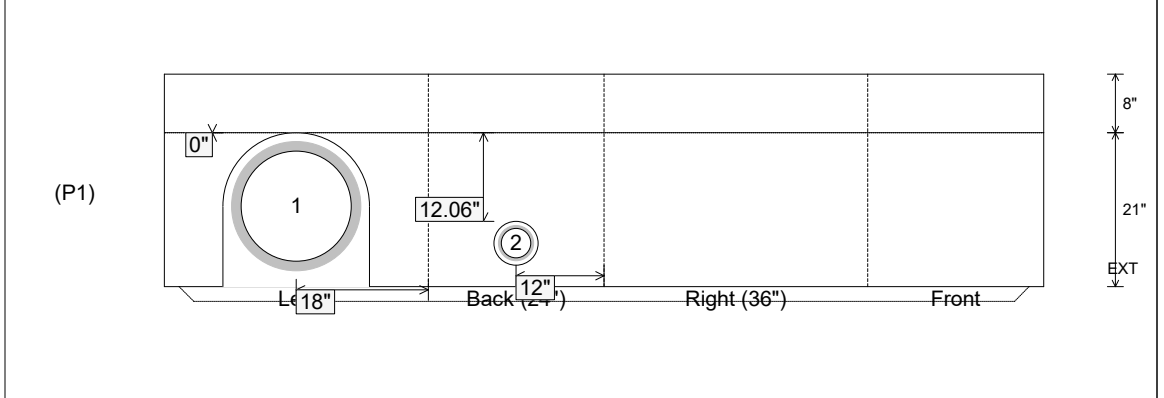
Position	Elev	Angle	Ext. (cw)	Pipe	Pipe OD	Connector	Hole	Horz Size	Up (")	Offset
Invert 1	872.5'	270°	26"	15" HDPE	17.6"	DOGHOUSE INVRTD 20"x20"	20" x 20"	20"	0"	0"
Invert 2	873.38'	180°	20"	4" HDPE (perf pipe)	4.8"	Hole 6	6"	6"	12.06"	0"
Invert 3										
Invert 4										
Invert 5										
Invert 6										
Invert 7										
Invert 8										

RIGHT-SIDE UP VIEW (int. dimensions)

UPSIDE-DOWN VIEW (int. dimensions)



INSIDE WALL DIMENSIONS



Coating (Int): Coating (Ext):	Seam Up: Tongue Seam Dn: n/a	Wall Thickness: 8" Floor Height: 8"	Height (Int): 21" Height (Ext): 29"	Weight (Net): 3267 lb Volume (Net): 0.83cu.yd
----------------------------------	---------------------------------	--	--	--