

Job Name: 25-1431 - Georgetown Commons
 Job Location: Georgetown, KY
 Contractor: Winwater Hartford KY Co.

Plant: Beaver Dam

4/23/2026 11:32:00 AM

Tech: J. Copping

PC: A. Chambers



Structure ID: CBI 133

P2 BX2436-08R-VH

BOX RISER 8inW, Variable Ht

- P4) 24" x 60" - CB INLET KY A 5' TOP RIGHT - 10"
- P3) 24" x 60" - CB INLET KY A 5' BOTTOM RIGHT - 18"
- P2) 24" x 36" - BOX RISER 8inW, Variable Ht - 43"
- P1) 24" x 36" - BOX BASE 8inW, 8inF, Variable Ht - 32"
- 2) 24" x 36" - Conseal CS-102 1.00"
- 3) Hole - 20
- 1) Hole - 6

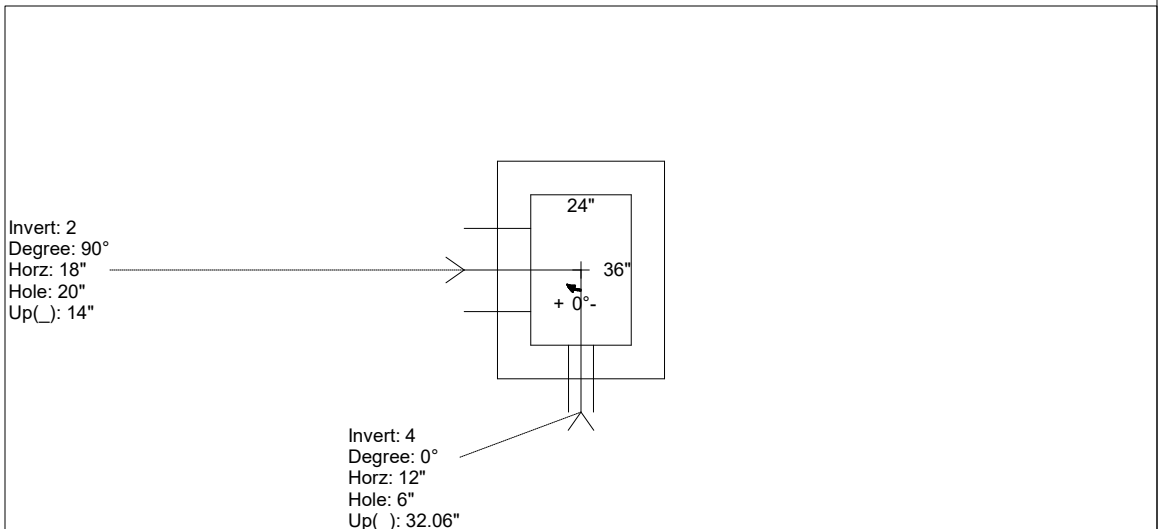
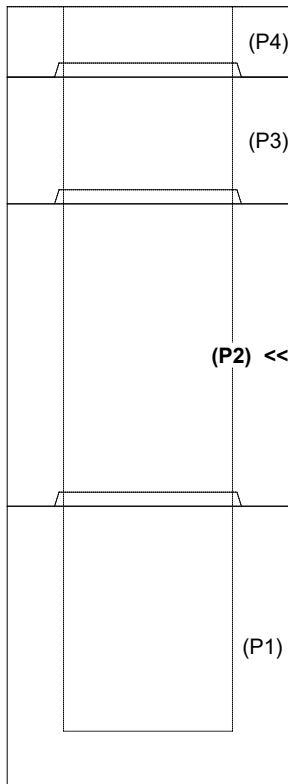
- Structure Notes:**
1. JR HOE KY-206 PROVIDED BY ICAST.
 2. CASTING FRAME TO BE CAST INTO THE TOP PHASE.
 3. PER KYTC CBI TYPE A / ASTM C913 SPEC'S.
 4. CONCRETE = 4,000 PI AT 28 DAYS.
 5. REINFORCING PER ASTM A615 (GRADE 60).
 - TOP PHASE (As .62) #5 BARS AT 6" C.C.E.W.
 - WALLS (As .31) #5 BARS AT 12" C.C.E.W.
 - FLOOR (As .31) #5 BARS AT 12" C.C.E.W.

Structure Total: 12962 lb

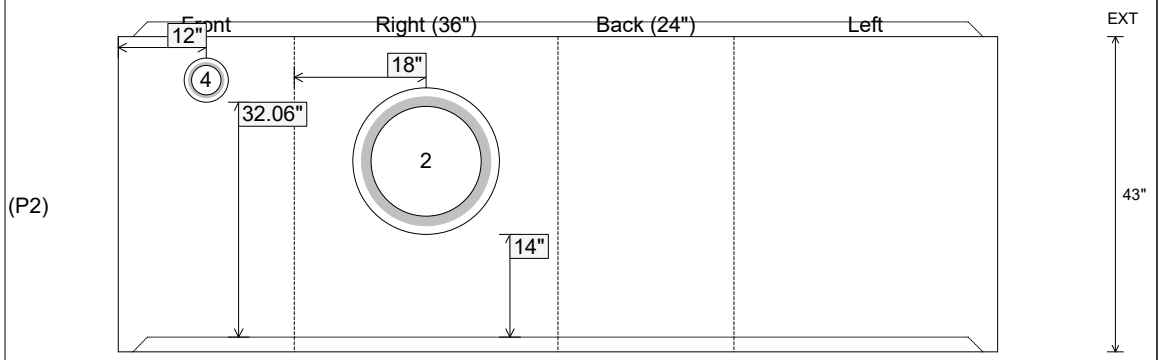
Rim: 876.46' Rim to Invert: 8.46' Slack: 1.02" Sump: 2.5" Step Position:

Position	Elev	Angle	Ext. (cw)	Pipe	Pipe OD	Connector	Hole	Horz Size	Up (↓)	Offset
Invert 1										
Invert 2	872'	90°	26"	15" HDPE	17.6"	Hole 20	20"	20"	14"	0"
Invert 3										
Invert 4	873.38'	0°	20"	4" HDPE (perf pipe)	4.8"	Hole 6	6"	6"	32.06"	0"
Invert 5										
Invert 6										
Invert 7										
Invert 8										

RIGHT-SIDE UP VIEW (int. dimensions)



INSIDE WALL DIMENSIONS



Coating (Int): Coating (Ext):	Seam Up: Tongue Seam Dn: Groove	Wall Thickness: 8" Floor Height: 0"	Height (Int): 43" Height (Ext): 43"	Weight (Net): 4158 lb Volume (Net): 1.06cu.yd
----------------------------------	------------------------------------	--	--	--