

Job Name: 25-1431 - Georgetown Commons
Job Location: Georgetown, KY
Contractor: Winwater Hartford KY Co.

PC: A. Chambers
 TECH: J. Coppage
 Plant: Beaver Dam



Structure ID: **CBI 115**
 Spec: KYTC
 Type: CBI TYPE A (5') MOD.
 Size: 60"

Rim: 871.98'
 Invert: 860.75'
 Rim to Invert: 11.23'

Sump: 5"
 Floor (Top): 860.333'
 Floor Height: 8"

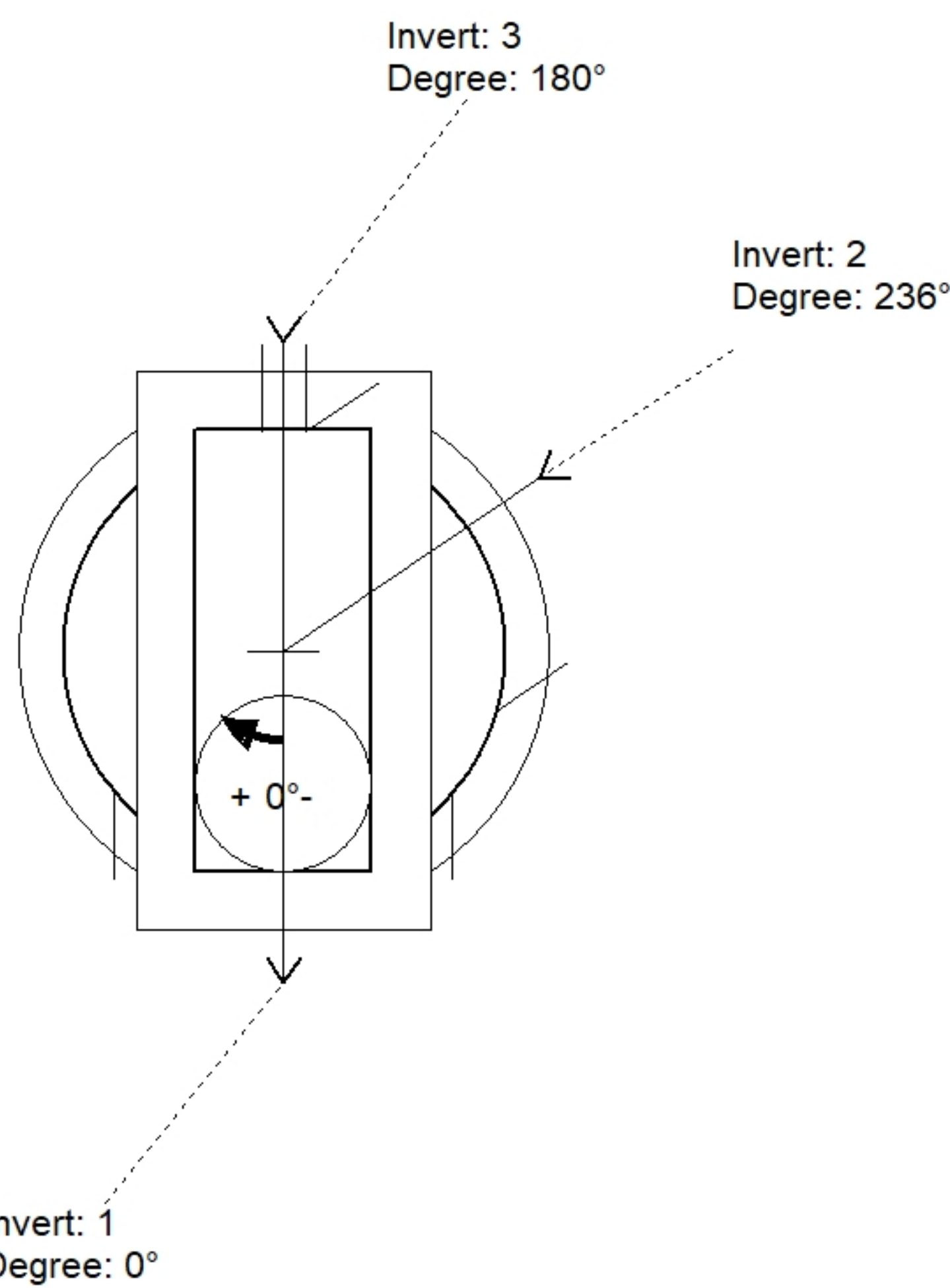
Floor (Bot): 859.667'
 Overall Height: 12.25'
 Slack: 0.76"

Structure Notes:

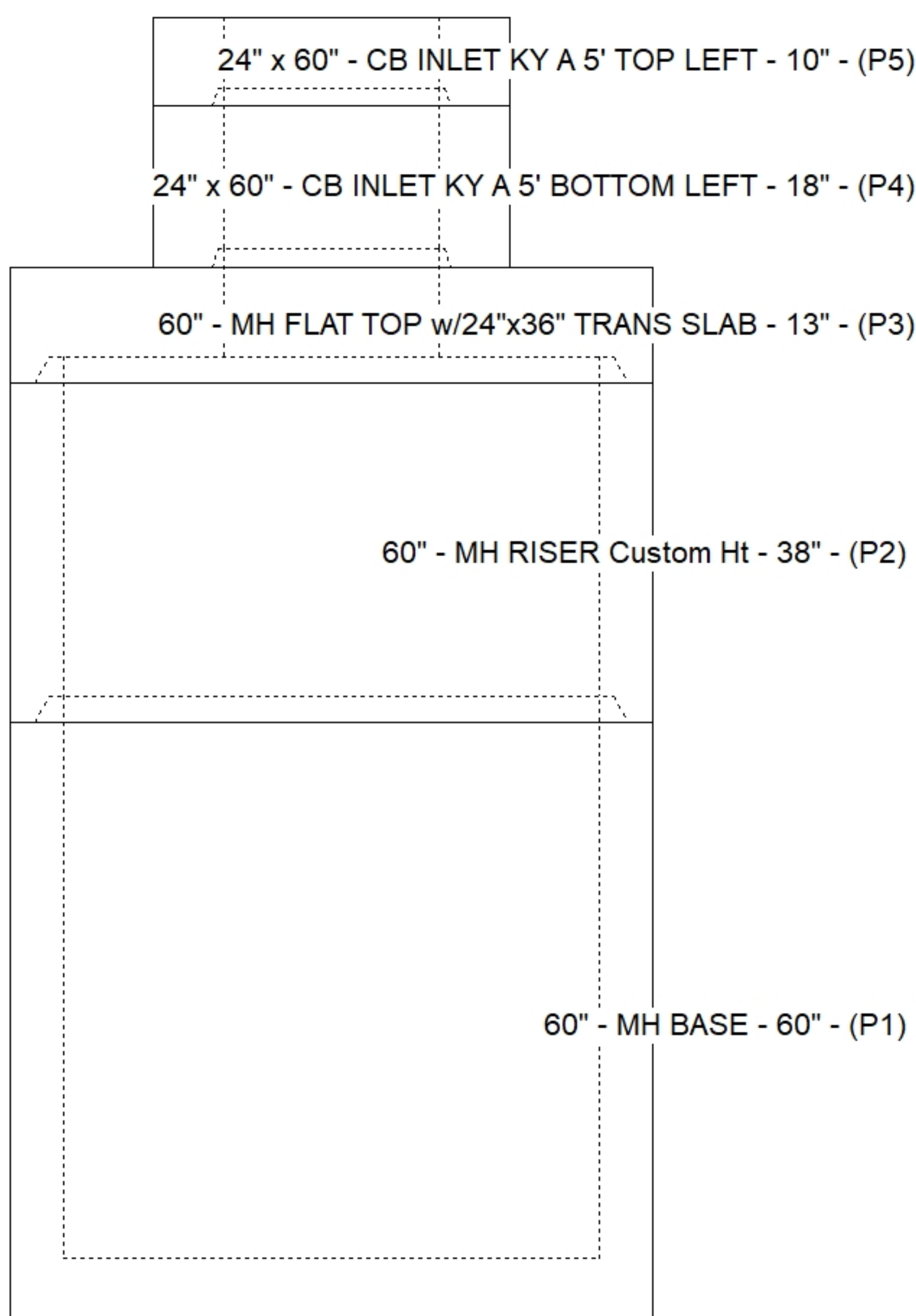
- JR HOE KY-206 PROVIDED BY ICAST.
- CASTING FRAME TO BE CAST INTO THE TOP PHASE.
- PER KYTC CBI TYPE A / ASTM C478 SPEC'S.
- CONCRETE = 4,000 PI AT 28 DAYS.
- REINFORCING PER ASTM A615 (GRADE 60).
 - TOP PHASE (As .62) #5 BARS AT 6" C.C.E.W.
 - WALLS (As .31) #5 BARS AT 12" C.C.E.W.
 - FLOOR (As .31) #5 BARS AT 12" C.C.E.W.

STRUCTURE SUMMARY:

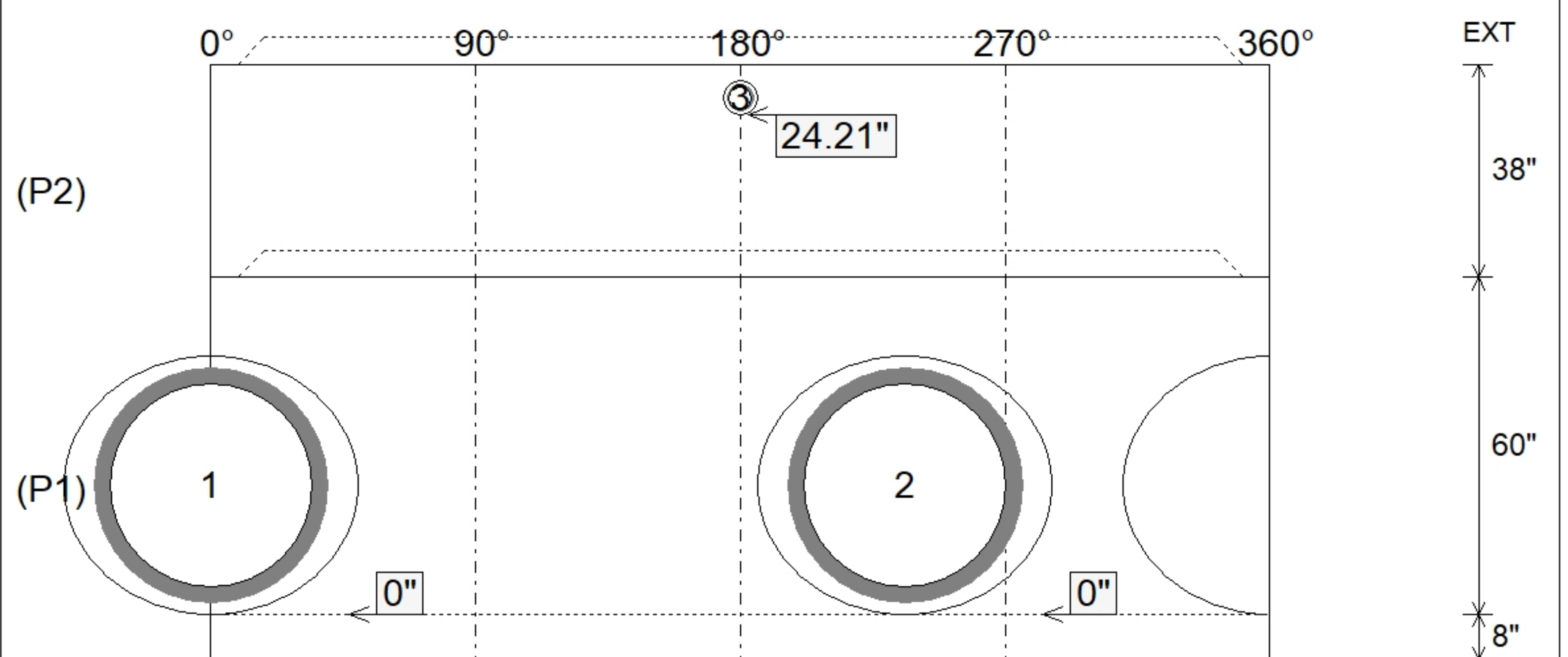
P5) 24" x 60" - CB INLET KY A 5' TOP LEFT - 10"	1895 lb
P4) 24" x 60" - CB INLET KY A 5' BOTTOM LEFT - 18"	2670 lb
P3) 60" - MH FLAT TOP w/24"x36" TRANS SLAB - 13"	2478 lb
P2) 60" - MH RISER Custom Ht - 38"	3953 lb
P1) 60" - MH BASE - 60"	7136 lb
2) 60" - Conseal CS-102 1.00"	0 lb
1) 24" x 36" - Conseal CS-102 1.00"	0 lb
2) Hole - 46	0 lb
1) Hole - 6	0 lb
Structure Total:	18131 lb



Position	Elev	Angle	Pipe	Pipe OD	Hole	Connector	Up ()	Ref
Rim	871.98'							
Reducer								
Invert 1	860.75'	0°	36" HDPE	41.7"	46"	Hole 46	0"	P1
Invert 2	860.75'	236°	36" HDPE	41.7"	46"	Hole 46	0"	P1
Invert 3	867.83'	180°	4" HDPE (perf pipe)	4.8"	6"	Hole 6	24.21"	P2
Invert 4								
Invert 5								
Invert 6								
Invert 7								
Invert 8								



Default - Interior Dimensions



Submittal Drawing
 4/24/2026 11:00:57 AM

SUBMITTAL
 APPROVED BY: