

Job Name: 25-1431 - Georgetown Commons
Job Location: Georgetown, KY
Contractor: Winwater Hartford KY Co.

PC: A. Chambers
 TECH: J. Coppage
 Plant: Beaver Dam



Structure ID: **CB 75**
 Spec: Storm
 Type: BX 8inW, 8inF
 Size: 36" x 36"

Rim: 866.5'
 Invert: 863.25'
 Rim to Invert: 3.25'

Sump: 1.6"
 Floor (Top): 863.117'
 Floor Height: 8"

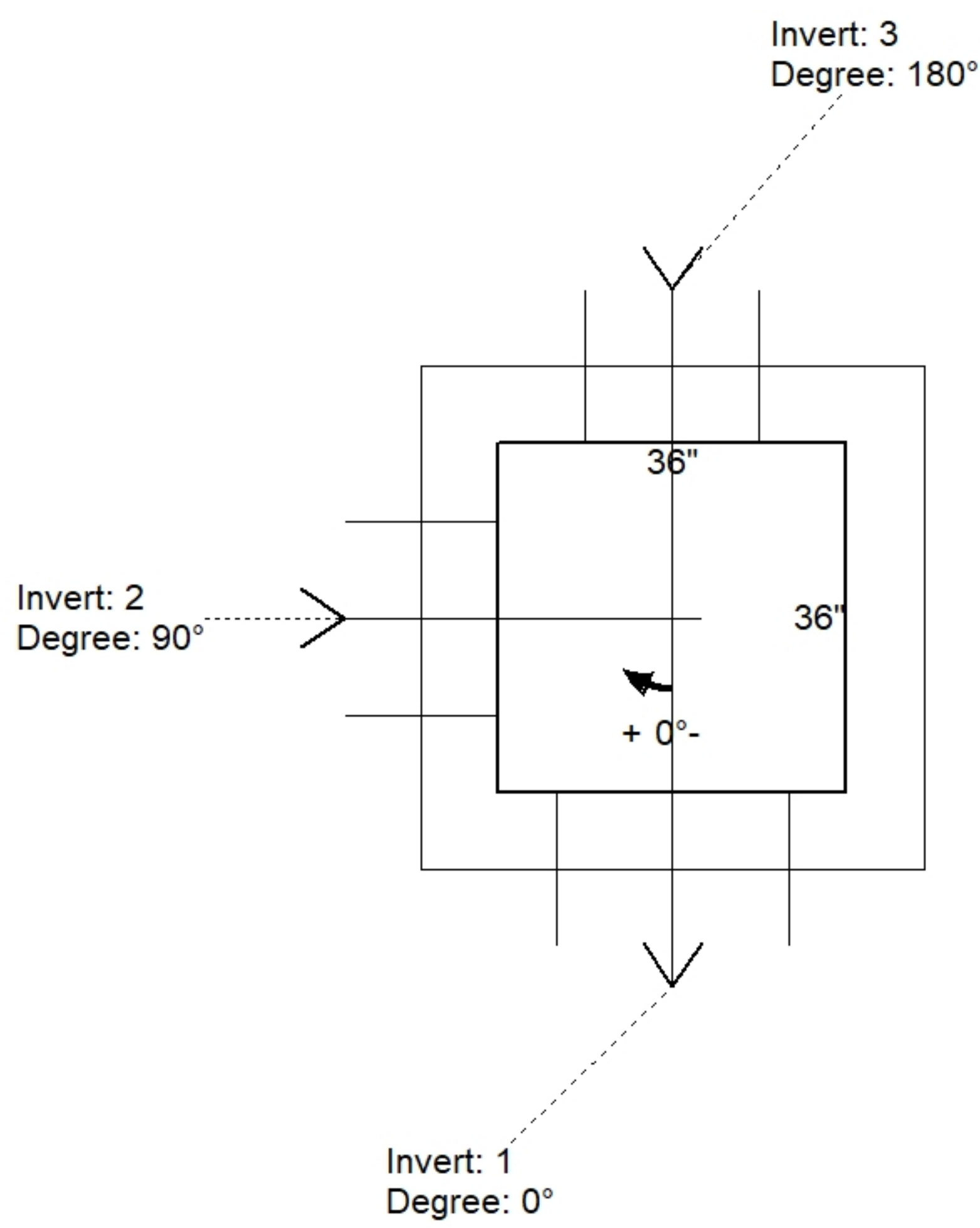
Floor (Bot): 862.45'
 Overall Height: 3.917'
 Slack: 1.6"

Structure Notes:

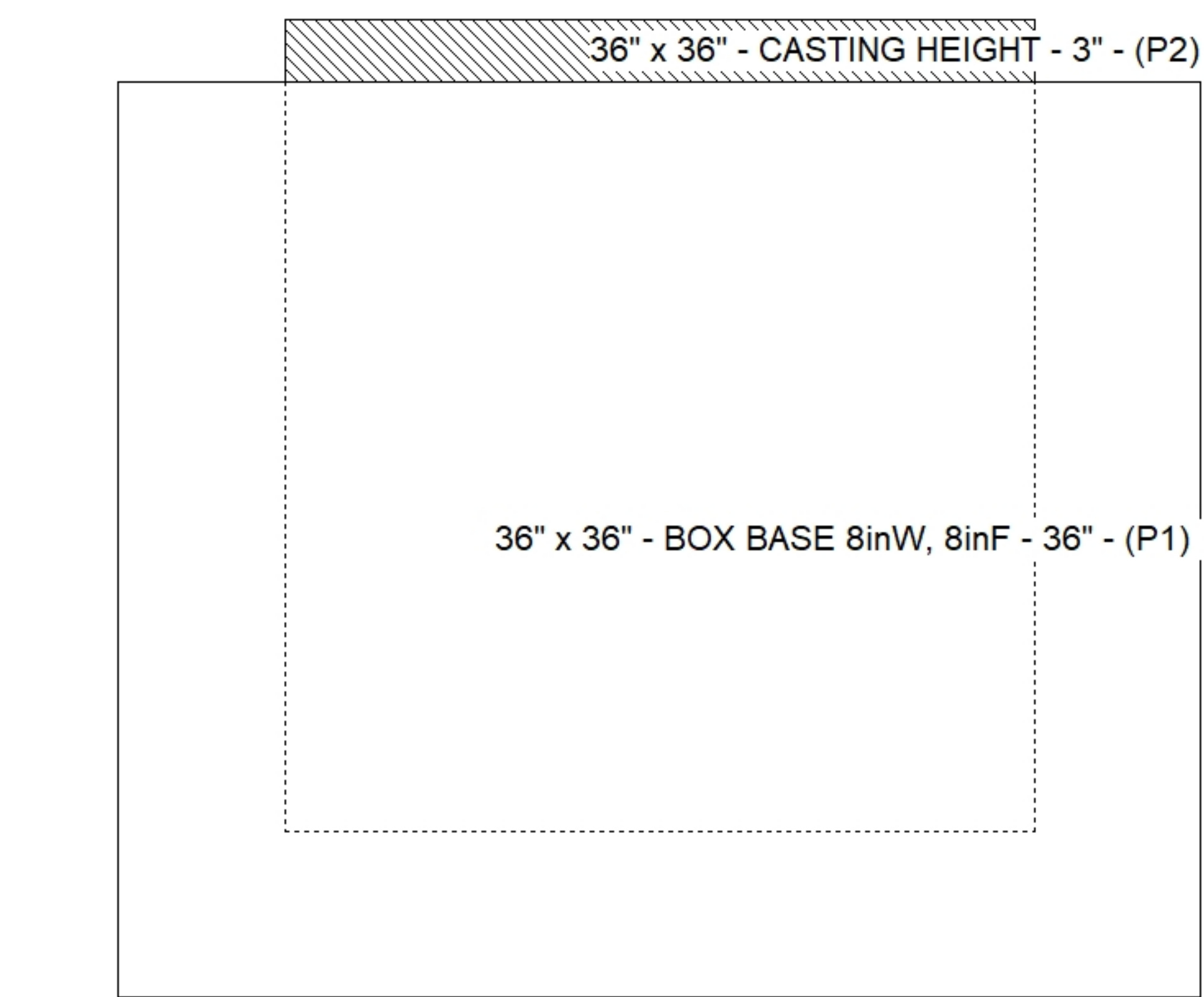
1. JR HOE HOE-595 PROVIDED BY ICAST.
2. PER ASTM C913 SPECIFICATIONS.
3. CONCRETE = 4,000 PSI AT 28 DAYS.
4. REINFORCING PER ASTM A615 (GRADE 60).
 - TOP SLAB (As .62) #5 BARS AT 6" C.C.E.W..
 - RISER/WALLS (As .12)
 - FLOOR (As .31) #5 BARS AT 12" C.C.E.W.
5. VERIFY THE SIZE, TYPE, AND ELEVATION OF THE ROOF DRAINS.

STRUCTURE SUMMARY:

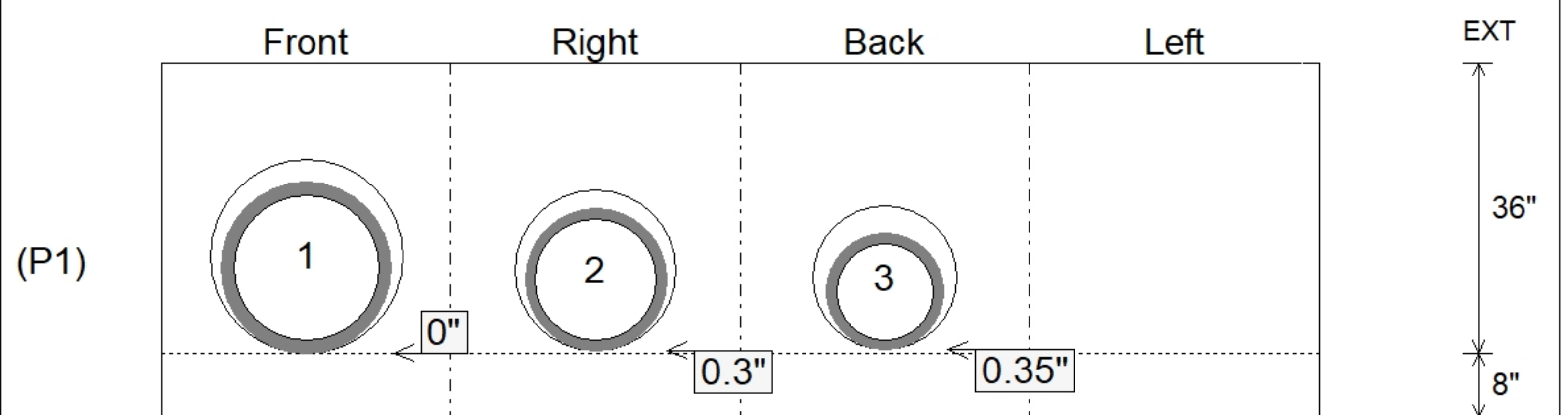
P2) 36" x 36" - CASTING HEIGHT - 3"	0 lb
P1) 36" x 36" - BOX BASE 8inW, 8inF - 36"	5383 lb
1) CASTING - HOE 595 F/G	376 lb
1) 36" x 36" - SGL 1"x14.5' Butyl (2x)	0 lb
1) Hole - 24	0 lb
1) Hole - 20	0 lb
1) Hole - 18	0 lb
Structure Total:	5759 lb



Position	Elev	Angle	Pipe	Pipe OD	Hole	Connector	Up (")	Ref
Rim	866.5'							
Reducer								
Invert 1	863.25'	0°	18" HDPE	21.2"	24"	Hole 24	0"	P1
Invert 2	863.25'	90°	15" HDPE	17.6"	20"	Hole 20	0.3"	P1
Invert 3	863.25'	180°	12" HDPE	14.5"	18"	Hole 18	0.35"	P1
Invert 4								
Invert 5								
Invert 6								
Invert 7								
Invert 8								



Default - Interior Dimensions



Submittal Drawing
 4/24/2026 11:00:52 AM

SUBMITTAL
 APPROVED BY: