

Job Name: 25-1431 - Georgetown Commons
Job Location: Georgetown, KY
Contractor: Winwater Hartford KY Co.

PC: A. Chambers
 TECH: J. Coppage
 Plant: Beaver Dam



Structure ID: **CB 300**
 Spec: Storm
 Type: BX 8inW, 8inF
 Size: 36" x 36"

Rim: 873.75'
 Invert: 870'
 Rim to Invert: 3.75'

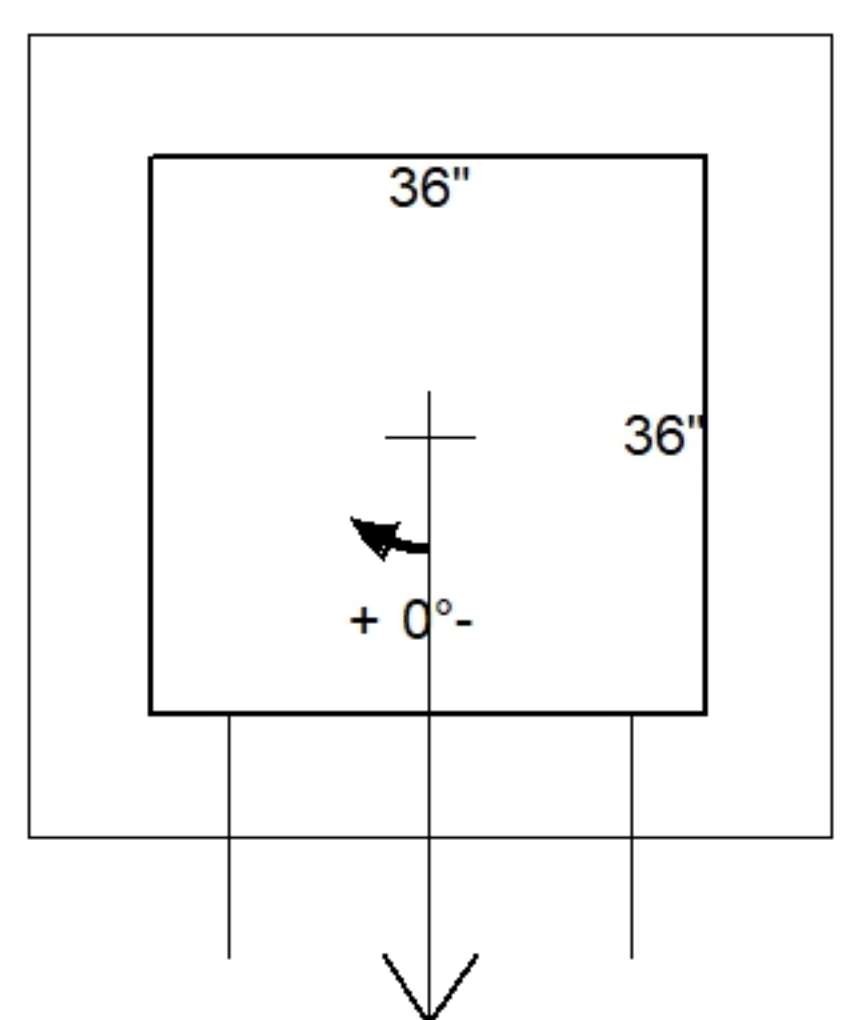
Sump: 2.5"
 Floor (Top): 869.792'
 Floor Height: 8"

Floor (Bot): 869.125'
 Overall Height: 4.417'
 Slack: 2.5"

Structure Notes:
 1. JR HOE HOE-595 PROVIDED BY ICAST.
 2. PER ASTM C913 SPECIFICATIONS.
 3. CONCRETE = 4,000 PSI AT 28 DAYS.
 4. REINFORCEING PER ASTM A615 (GRADE 60)
 - WALLS (As .31) #5 BARS AT 12" C.C.E.W.
 - FLOOR (As .31) #5 BARS AT 12" C.C.E.W.

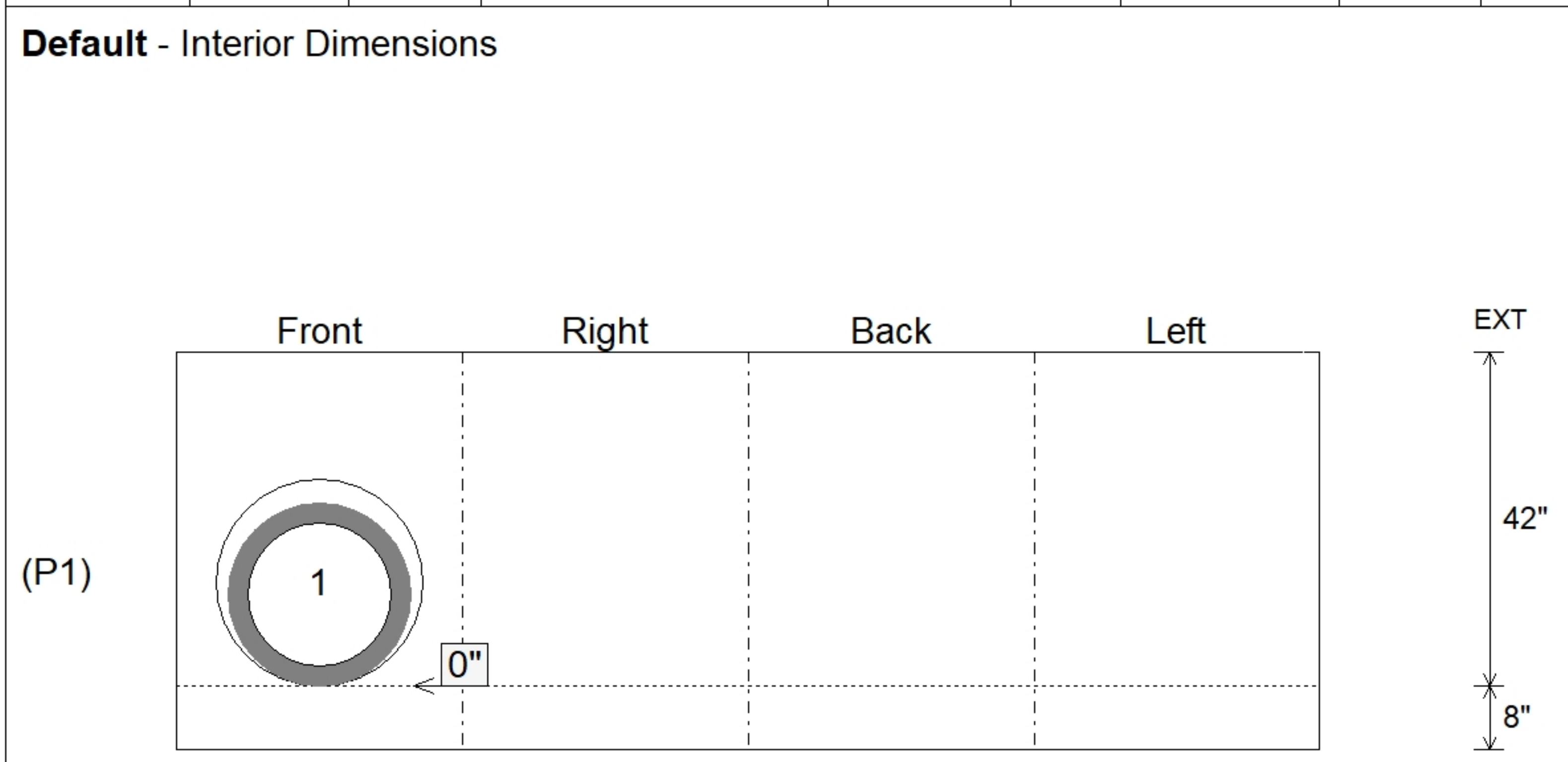
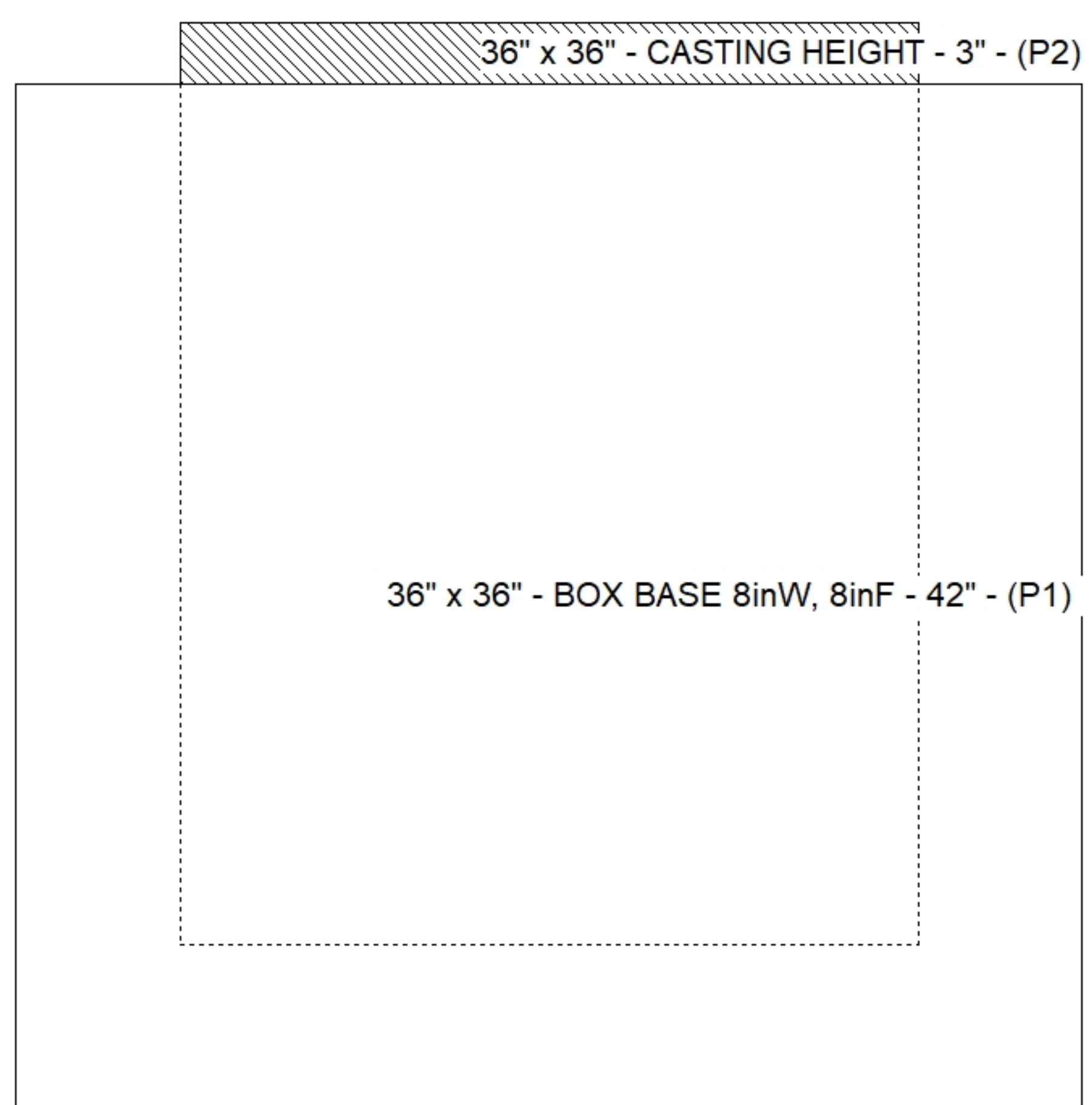
STRUCTURE SUMMARY:

| | |
|---|----------------|
| P2) 36" x 36" - CASTING HEIGHT - 3" | 0 lb |
| P1) 36" x 36" - BOX BASE 8inW, 8inF - 42" | 6421 lb |
| 1) CASTING - HOE 595 F/G | 376 lb |
| 1) 36" x 36" - SGL 1"x14.5' Butyl (2x) | 0 lb |
| 1) Hole - 26 | 0 lb |
| | ----- |
| Structure Total: | 6797 lb |



Invert: 1
 Degree: 0°

| Position | Elev | Angle | Pipe | Pipe OD | Hole | Connector | Up () | Ref |
|----------|---------|-------|----------------|---------|------|-----------|--------|-----|
| Rim | 873.75' | | | | | | | |
| Reducer | | | | | | | | |
| Invert 1 | 870' | 0° | 18" RCP B WALL | 23" | 26" | Hole 26 | 0" | P1 |
| Invert 2 | | | | | | | | |
| Invert 3 | | | | | | | | |
| Invert 4 | | | | | | | | |
| Invert 5 | | | | | | | | |
| Invert 6 | | | | | | | | |
| Invert 7 | | | | | | | | |
| Invert 8 | | | | | | | | |



Submittal Drawing
 4/24/2026 2:28:00 PM

SUBMITTAL
 APPROVED BY: