

Job Name: 25-1431 - Georgetown Commons
Job Location: Georgetown, KY
Contractor: Winwater Hartford KY Co.

PC: A. Chambers
 TECH: J. Coppage
 Plant: Beaver Dam



Structure ID: **CB 132**
 Spec: KYTC
 Type: CBI TYPE A (10')
 Size: 24" x 36"

Rim: 878.98'
 Invert: 868.4'
 Rim to Invert: 10.58'

Sump: 2.5"
 Floor (Top): 868.192'
 Floor Height: 8"

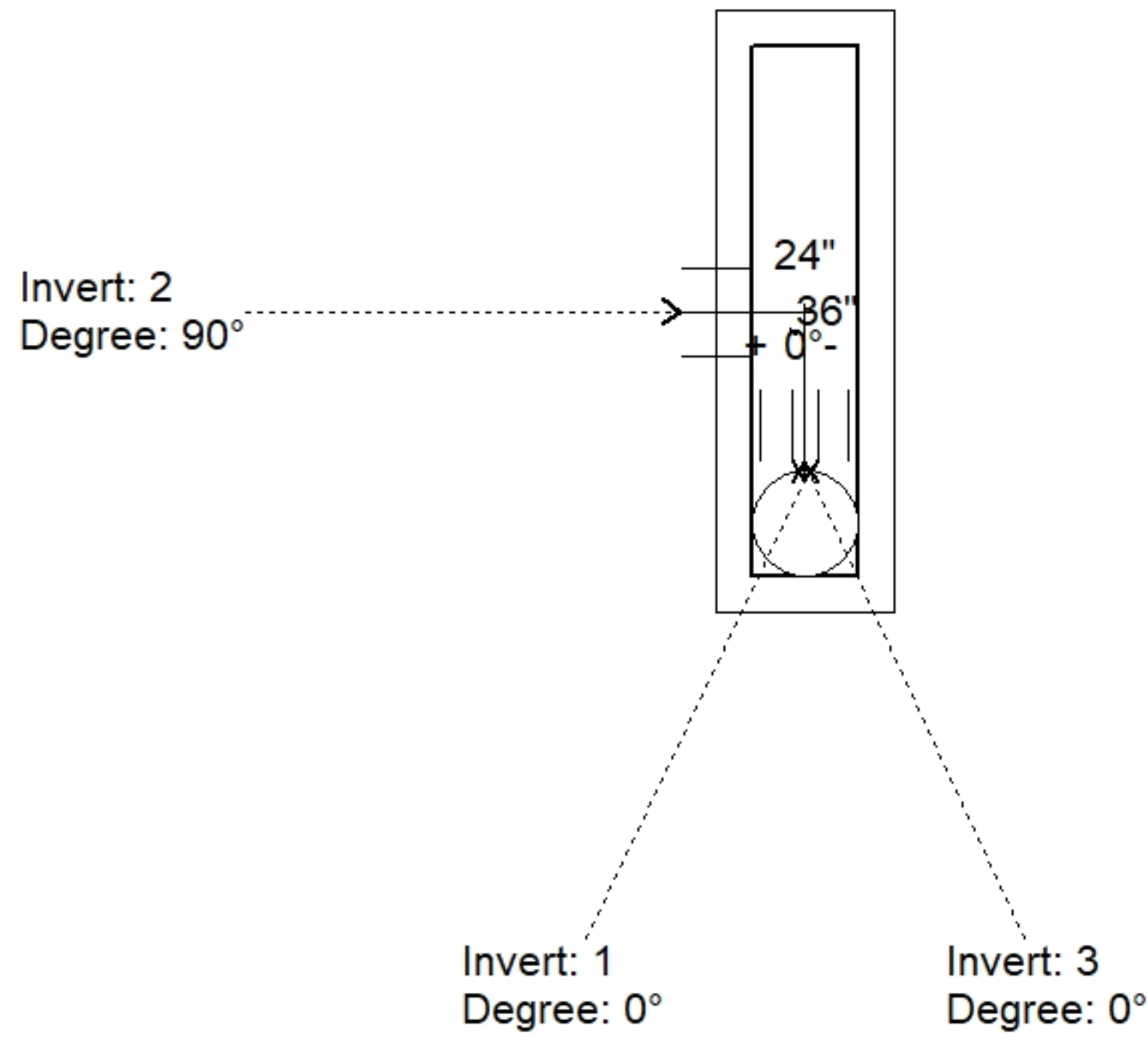
Floor (Bot): 867.525'
 Overall Height: 11.417'
 Slack: 0.46"

Structure Notes:

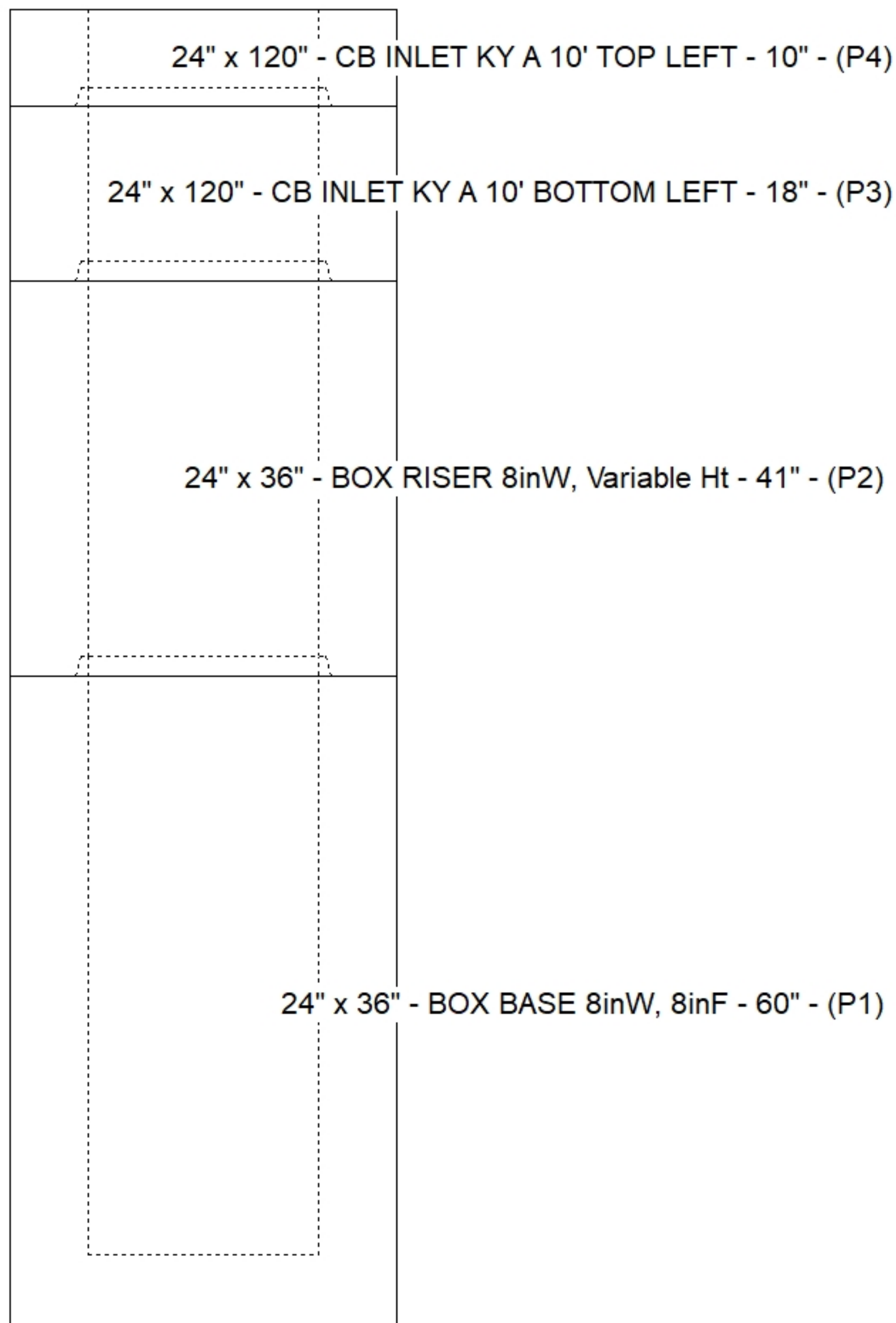
1. JR HOE KY-206 PROVIDED BY ICAST.
2. CASTING FRAME TO BE CAST INTO THE TOP PHASE.
3. PER KYTC CBI TYPE A / ASTM C913 SPEC'S.
4. CONCRETE = 4,000 PI AT 28 DAYS.
5. REINFORCING PER ASTM A615 (GRADE 60).
 - TOP PHASE (As .62) #5 BARS AT 6" C.C.E.W.
 - WALLS (As .31) #5 BARS AT 12" C.C.E.W.
 - FLOOR (As .31) #5 BARS AT 12" C.C.E.W.

STRUCTURE SUMMARY:

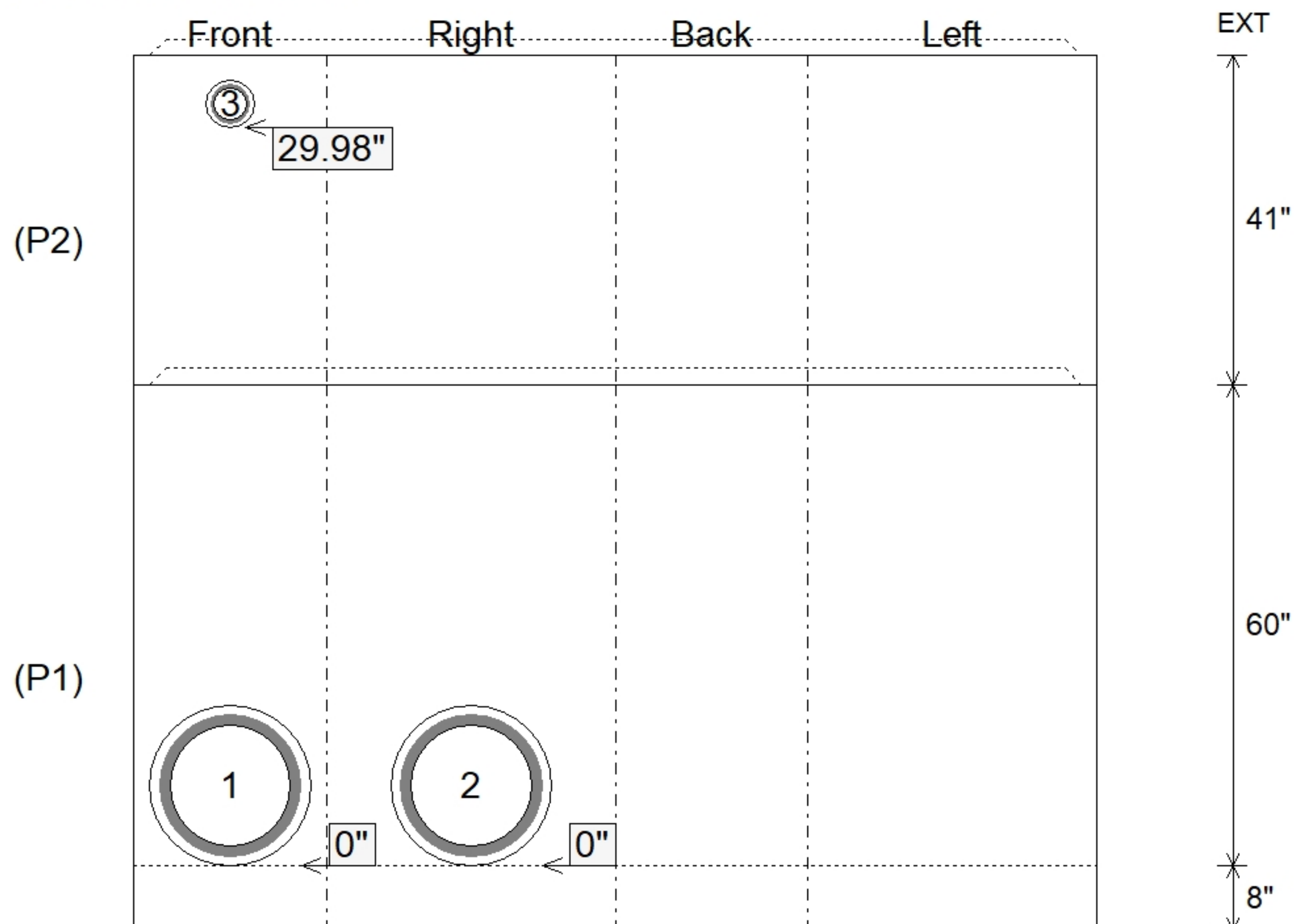
P4) 24" x 120" - CB INLET KY A 10' TOP LEFT - 10"	3400 lb
P3) 24" x 120" - CB INLET KY A 10' BOTTOM LEFT - 18"	5270 lb
P2) 24" x 36" - BOX RISER 8inW, Variable Ht - 41"	4165 lb
P1) 24" x 36" - BOX BASE 8inW, 8inF - 60"	7097 lb
2) 24" x 36" - Conseal CS-102 1.00"	0 lb
2) Hole - 20	0 lb
1) Hole - 6	0 lb
Structure Total:	19931 lb



Position	Elev	Angle	Pipe	Pipe OD	Hole	Connector	Up ()	Ref
Rim	878.98'							
Reducer								
Invert 1	868.4'	0°	15" HDPE	17.6"	20"	Hole 20	0"	P1
Invert 2	868.4'	90°	15" HDPE	17.6"	20"	Hole 20	0"	P1
Invert 3	875.94'	0°	4" HDPE (perf pipe)	4.8"	6"	Hole 6	29.98"	P2
Invert 4								
Invert 5								
Invert 6								
Invert 7								
Invert 8								



Default - Interior Dimensions



Submittal Drawing
 4/24/2026 11:01:01 AM

SUBMITTAL
 APPROVED BY: