

Job Name: 25-1431 - Georgetown Commons
Job Location: Georgetown, KY
Contractor: Winwater Hartford KY Co.

PC: A. Chambers
 TECH: J. Coppage
 Plant: Beaver Dam



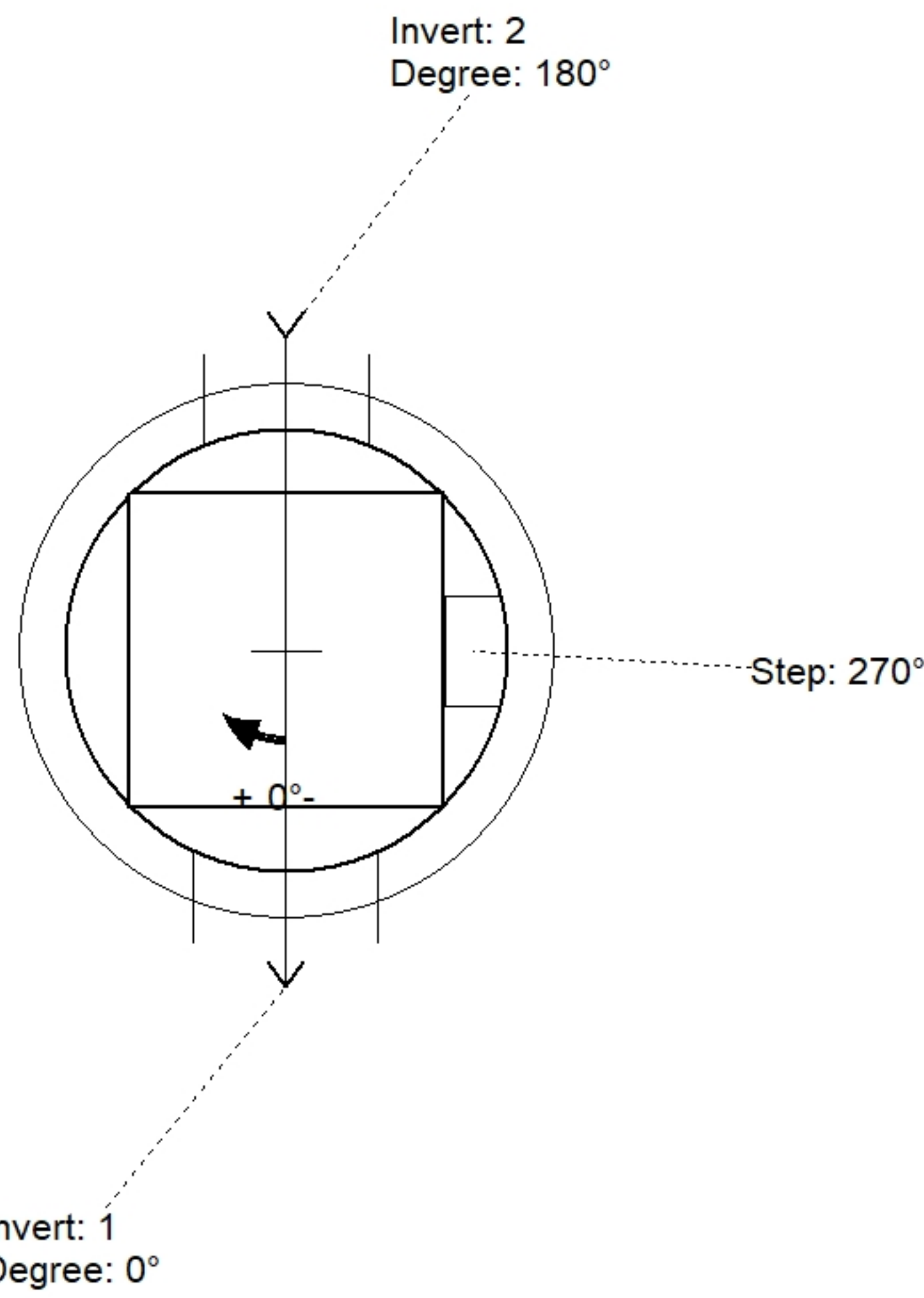
Structure ID: **CB 120**
 Spec: Storm Rim: 869.75' Sump: 1.3" Floor (Bot): 863.142'
 Type: STM.MH Invert: 863.75' Floor (Top): 863.642' Overall Height: 6.417'
 Size: 48" Rim to Invert: 6' Floor Height: 6" Slack: 2.3"

Structure Notes:

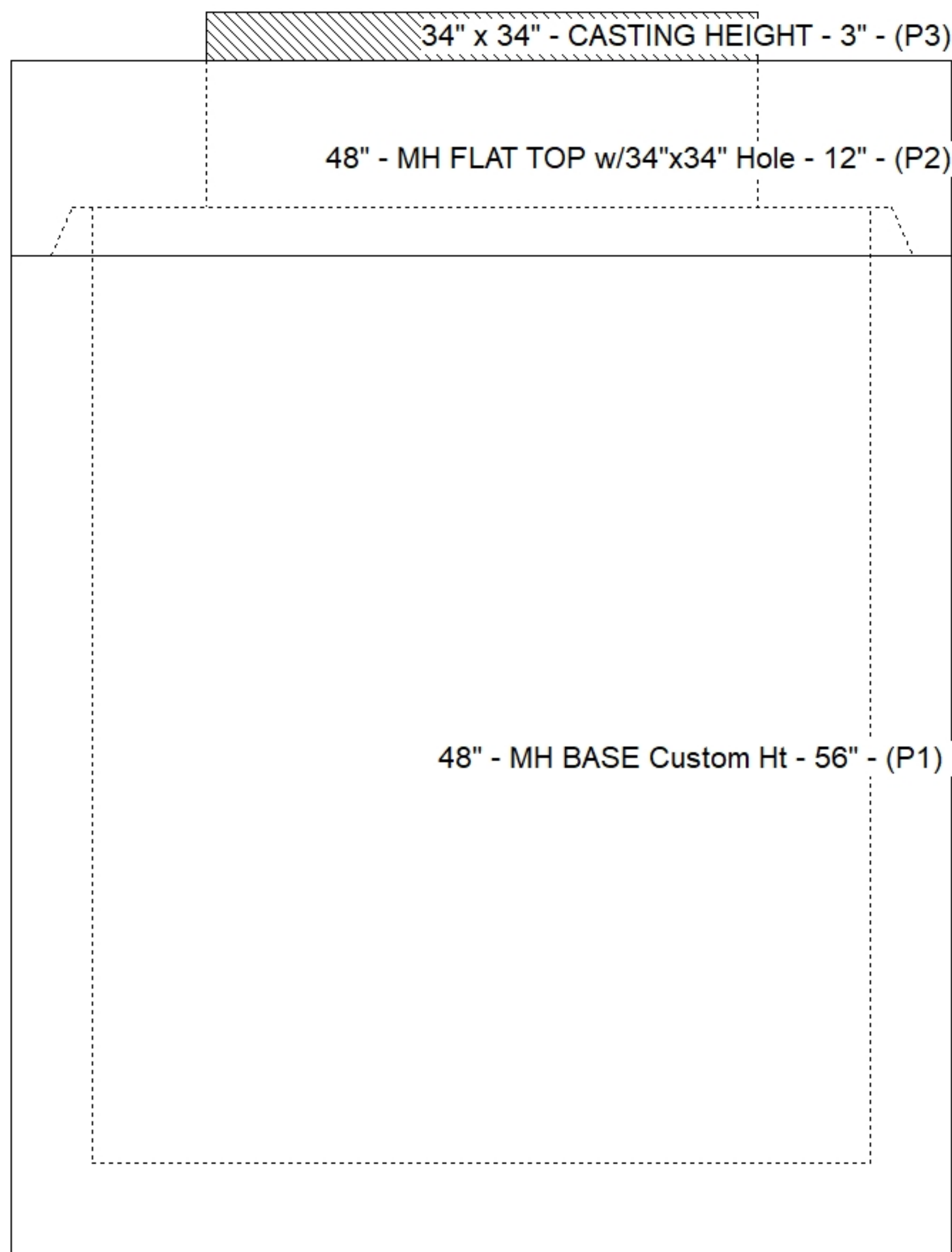
1. JR HOE HOE-595 PROVIDED BY ICAST.
2. PER ASTM C478 SPECIFICATIONS.
3. CONCRETE = 4,000 PSI AT 28 DAYS.
4. REINFORCING PER ASTM A615 (GRADE 60).
 - TOP SLAB (As .62) #5 BARS AT 6" C.C.E.W..
 - RISER/WALLS (As .12)
 - FLOOR (As .31) #5 BARS AT 12" C.C.E.W.

STRUCTURE SUMMARY:

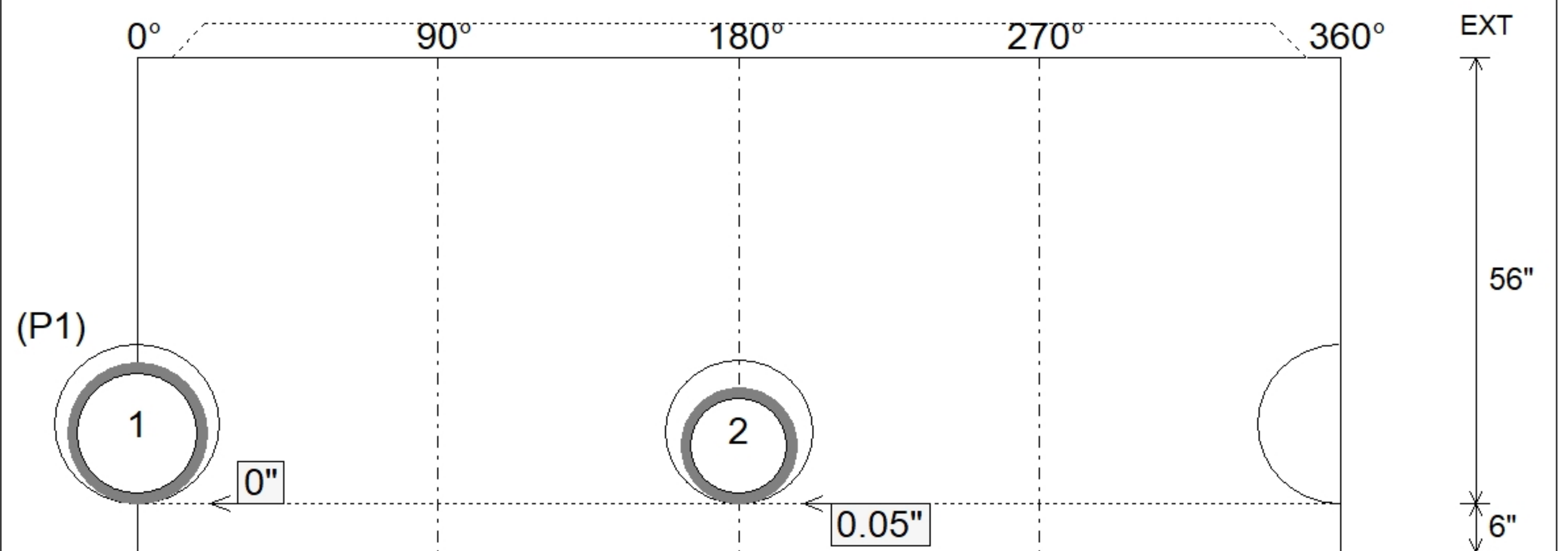
P3) 34" x 34" - CASTING HEIGHT - 3"	0 lb
P2) 48" - MH FLAT TOP w/34"x34" Hole - 12"	1194 lb
P1) 48" - MH BASE Custom Ht - 56"	4998 lb
1) CASTING - HOE 595 F/G	376 lb
1) Hole - 20	0 lb
1) Hole - 18	0 lb
5) MH Step ML-10-TDS-NCR - 10"	0 lb
Structure Total:	6568 lb



Position	Elev	Angle	Pipe	Pipe OD	Hole	Connector	Up ()	Ref
Rim	869.75'							
Reducer								
Invert 1	863.75'	0°	15" HDPE	17.6"	20"	Hole 20	0"	P1
Invert 2	863.75'	180°	12" HDPE	14.5"	18"	Hole 18	0.05"	P1
Invert 3								
Invert 4								
Invert 5								
Invert 6								
Invert 7								
Invert 8								



Default - Interior Dimensions



Submittal Drawing
 4/24/2026 11:01:06 AM

SUBMITTAL
 APPROVED BY: