

Job Name: 25-1431 - Georgetown Commons
 Job Location: Georgetown, KY
 Contractor: Winwater Hartford KY Co.

Plant: Beaver Dam

Tech: J. Coppage

4/23/2026 11:20:13 AM

PC: A. Chambers



Structure ID: CB 110

P1 MH060BA60

MH BASE

- P4) 36" x 36" - CASTING HEIGHT - 3"
- P3) 60" - MH FLAT TOP w/36"x36" Hole - 13"
- P2) 60" - MH RISER Custom Ht - 28"
- P1) 60" - MH BASE - 60"
- 1) CASTING - HOE 595 F/G
- 2) 60" - Conseal CS-102 1.00"
- 1) 36" x 36" - Conseal CS-102 1.00"
- 2) Hole - 46
- 5) MH Step ML-10-TDS-NCR - 10"

- Structure Notes:**
1. JR HOE HOE-595 PROVIDED BY ICAST.
 2. PER ASTM C478 SPECIFICATIONS.
 3. CONCRETE = 4,000 PSI AT 28 DAYS.
 4. REINFORCING PER ASTM A615 (GRADE 60).
 - TOP SLAB (As .62) #5 BARS AT 6" C.C.E.W..
 - RISER/WALLS (As .18)
 - FLOOR (As .37) #5 BARS AT 10" C.C.E.W.

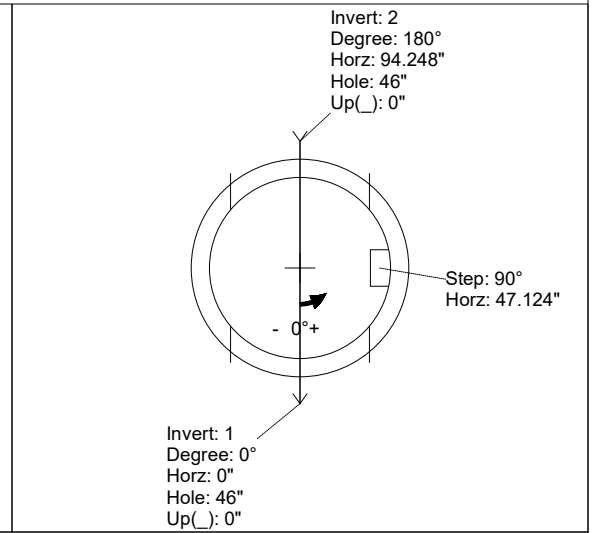
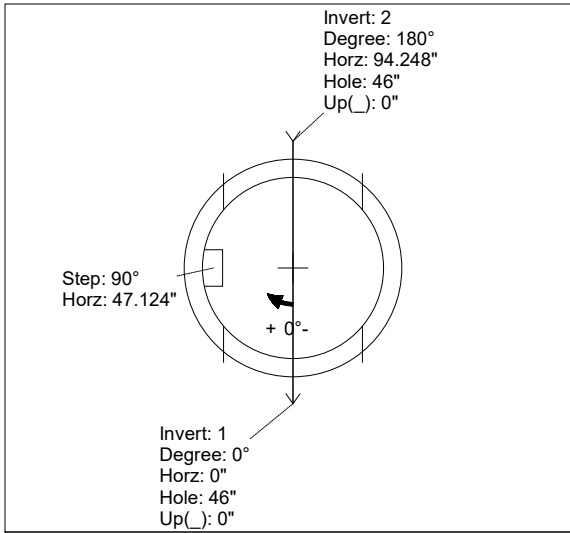
Structure Total: 12568 lb

Rim: 870.5' Rim to Invert: 8.5' Slack: 0.85' Sump: 2.85' Step Position: 90°

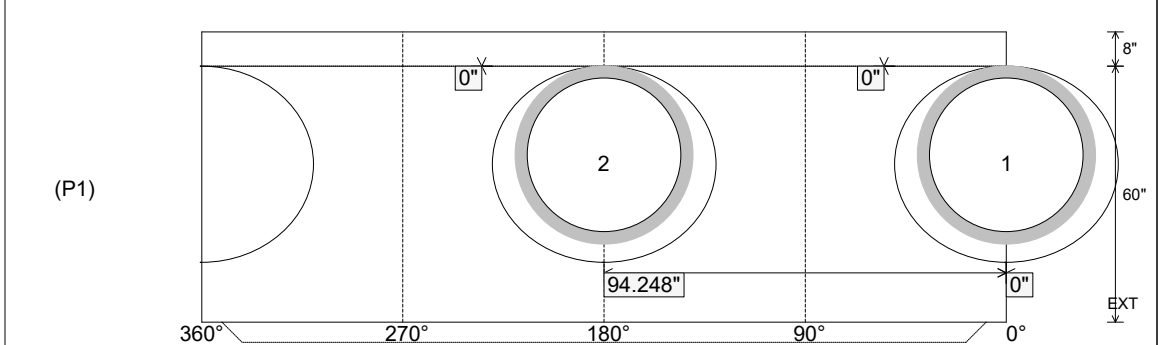
Position	Elev	Angle	Ext. (cw)	Pipe	Pipe OD	Connector	Hole	Horz Size	Up ()	Offset
Invert 1	862'	0°	0"	36" HDPE	41.7"	Hole 46	46"	52.418"	0"	0"
Invert 2	862'	180°	113.097"	36" HDPE	41.7"	Hole 46	46"	52.418"	0"	0"
Invert 3										
Invert 4										
Invert 5										
Invert 6										
Invert 7										
Invert 8										

RIGHT-SIDE UP VIEW (int. dimensions)

UPSIDE-DOWN VIEW (int. dimensions)



INSIDE WALL DIMENSIONS



Coating (Int):
 Coating (Ext):

Seam Up: Tongue
 Seam Dn: n/a

Wall Thickness: 6"
 Floor Height: 8"

Height (Int): 60"
 Height (Ext): 68"

Weight (Net): 7136 lb
 Volume (Net): 1.82cu.yd