

Job Name: 25-1431 - Georgetown Commons
Job Location: Georgetown, KY
Contractor: Winwater Hartford KY Co.

PC: A. Chambers
 TECH: J. Coppage
 Plant: Beaver Dam



Structure ID: **CB 109**
 Spec: Storm
 Type: STM.MH
 Size: 60"

Rim: 870.5'
 Invert: 862.25'
 Rim to Invert: 8.25'

Sump: 2.85"
 Floor (Top): 862.013'
 Floor Height: 8"

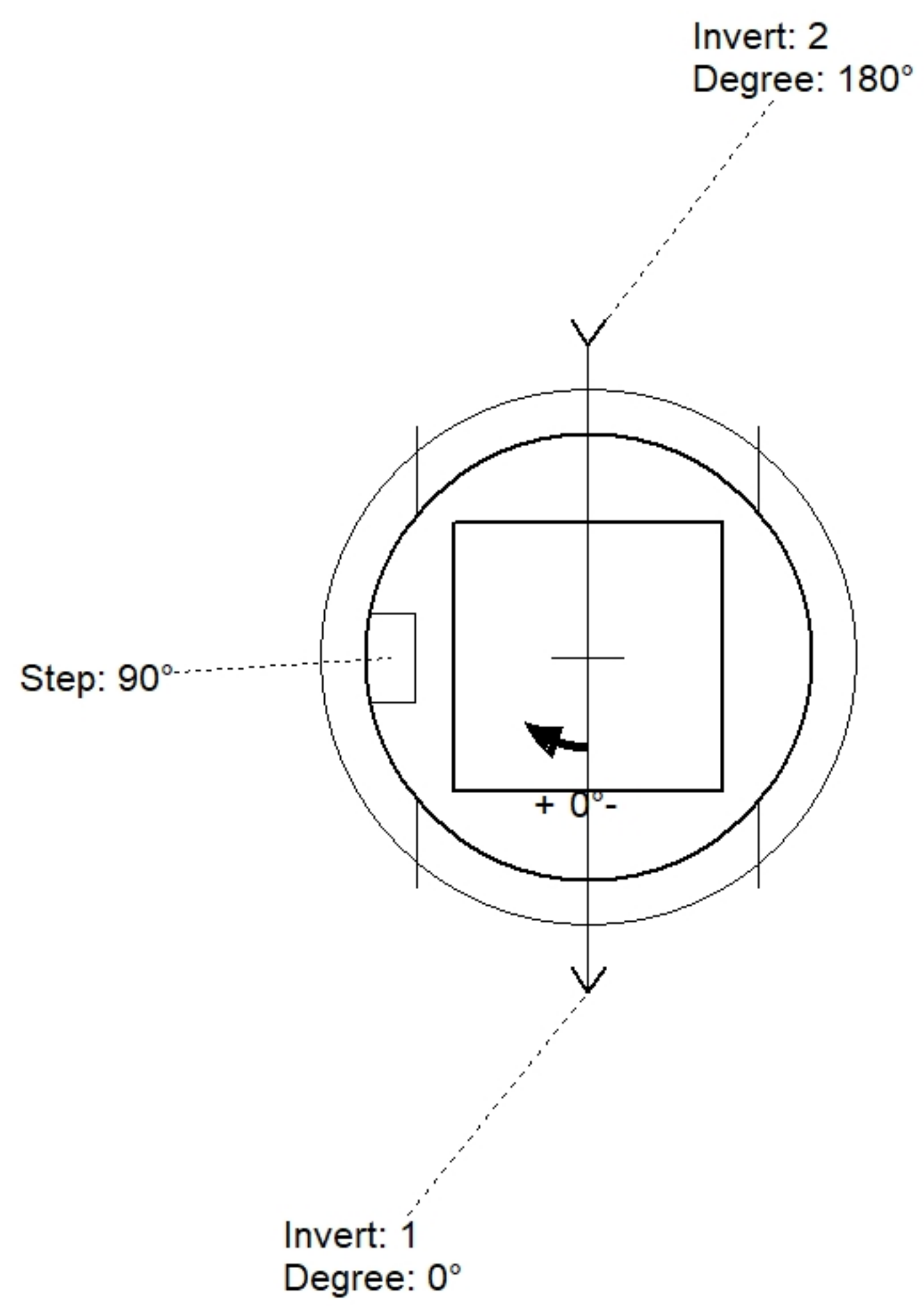
Floor (Bot): 861.346'
 Overall Height: 9'
 Slack: 1.85"

Structure Notes:

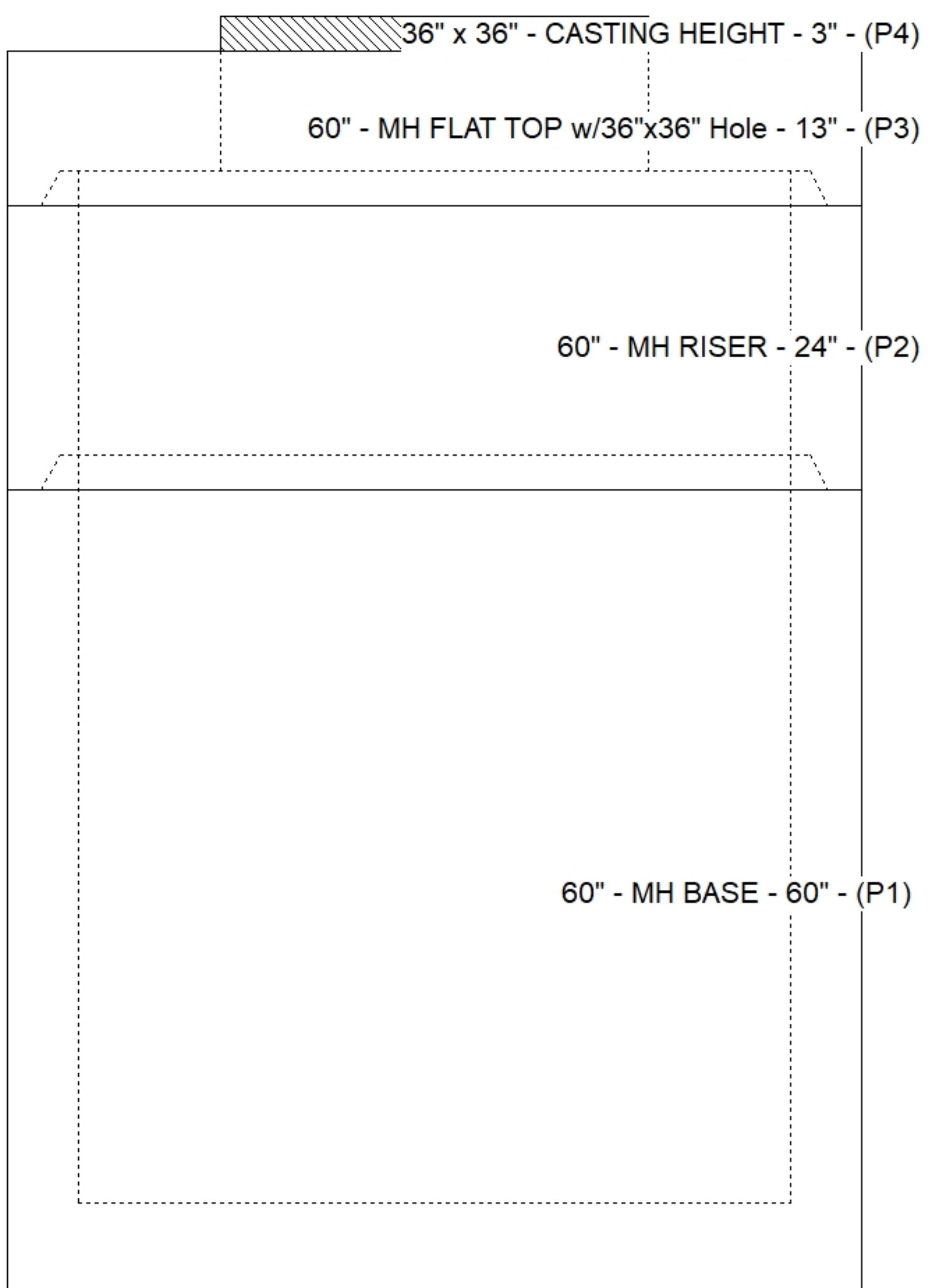
1. JR HOE HOE-595 PROVIDED BY ICAST.
2. PER ASTM C478 SPECIFICATIONS.
3. CONCRETE = 4,000 PSI AT 28 DAYS.
4. REINFORCING PER ASTM A615 (GRADE 60).
 - TOP SLAB (As .62) #5 BARS AT 6" C.C.E.W..
 - RISER/WALLS (As .18)
 - FLOOR (As .37) #5 BARS AT 10" C.C.E.W.

STRUCTURE SUMMARY:

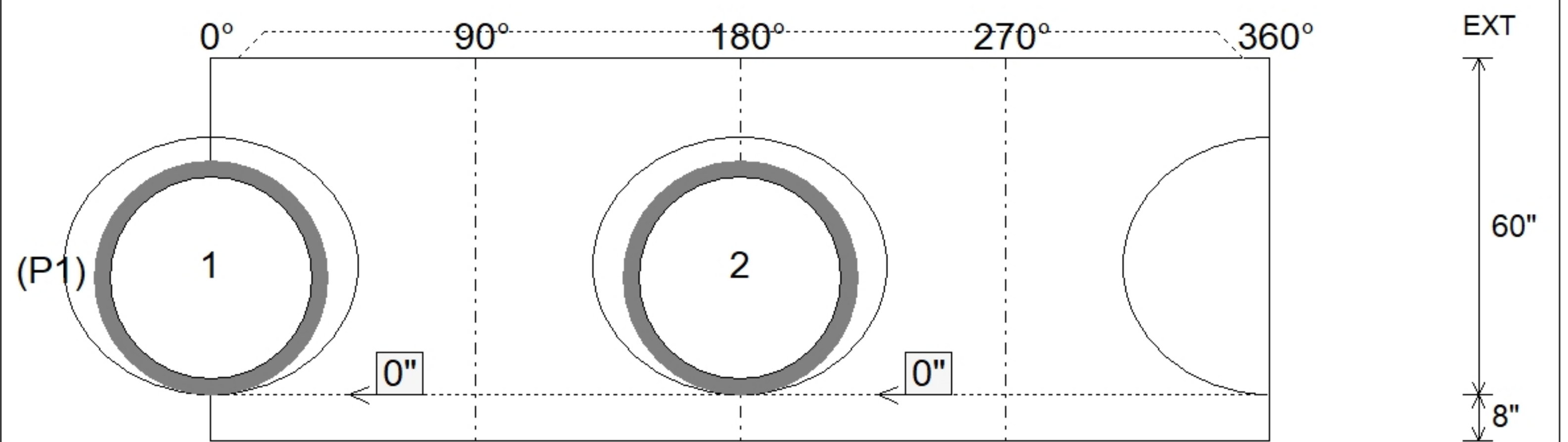
P4) 36" x 36" - CASTING HEIGHT - 3"	0 lb
P3) 60" - MH FLAT TOP w/36"x36" Hole - 13"	2134 lb
P2) 60" - MH RISER - 24"	2505 lb
P1) 60" - MH BASE - 60"	7136 lb
1) CASTING - HOE 595 F/G	376 lb
2) 60" - Conseal CS-102 1.00"	0 lb
1) 36" x 36" - Conseal CS-102 1.00"	0 lb
2) Hole - 46	0 lb
7) MH Step ML-10-TDS-NCR - 10"	0 lb
Structure Total:	12151 lb



Position	Elev	Angle	Pipe	Pipe OD	Hole	Connector	Up ()	Ref
Rim	870.5'							
Reducer								
Invert 1	862.25'	0°	36" HDPE	41.7"	46"	Hole 46	0"	P1
Invert 2	862.25'	180°	36" HDPE	41.7"	46"	Hole 46	0"	P1
Invert 3								
Invert 4								
Invert 5								
Invert 6								
Invert 7								
Invert 8								



Default - Interior Dimensions



Submittal Drawing
 4/24/2026 11:00:55 AM

SUBMITTAL
 APPROVED BY: