

Job Name: 25-1431 - Georgetown Commons  
 Job Location: Georgetown, KY  
 Contractor: Winwater Hartford KY Co.

Plant: Beaver Dam

Tech: J. Coppage

4/23/2026 11:20:11 AM

PC: A. Chambers



**Structure ID: CB 107**

**P1 MH072BA72**

**MH BASE**

- P3) 36" x 36" - CASTING HEIGHT - 3"
- P2) 72" - MH FLAT TOP w/36"x36" Hole - 15"
- P1) 72" - MH BASE - 72"
- 1) CASTING - HOE 595 F/G
- 1) 36" x 36" - Conseal CS-102 1.00"
- 2) Hole - 46
- 1) Hole - 20
- 6) MH Step ML-10-TDS-NCR - 10"

- Structure Notes:**
1. JR HOE HOE-595 PROVIDED BY ICAST.
  2. PER ASTM C478 SPECIFICATIONS.
  3. CONCRETE = 4,000 PSI AT 28 DAYS.
  4. REINFORCING PER ASTM A615 (GRADE 60).
    - TOP SLAB (As .62) #5 BARS AT 6" C.C.E.W..
    - RISER/WALLS (As .18)
    - FLOOR (As .37) #5 BARS AT 10" C.C.E.W.

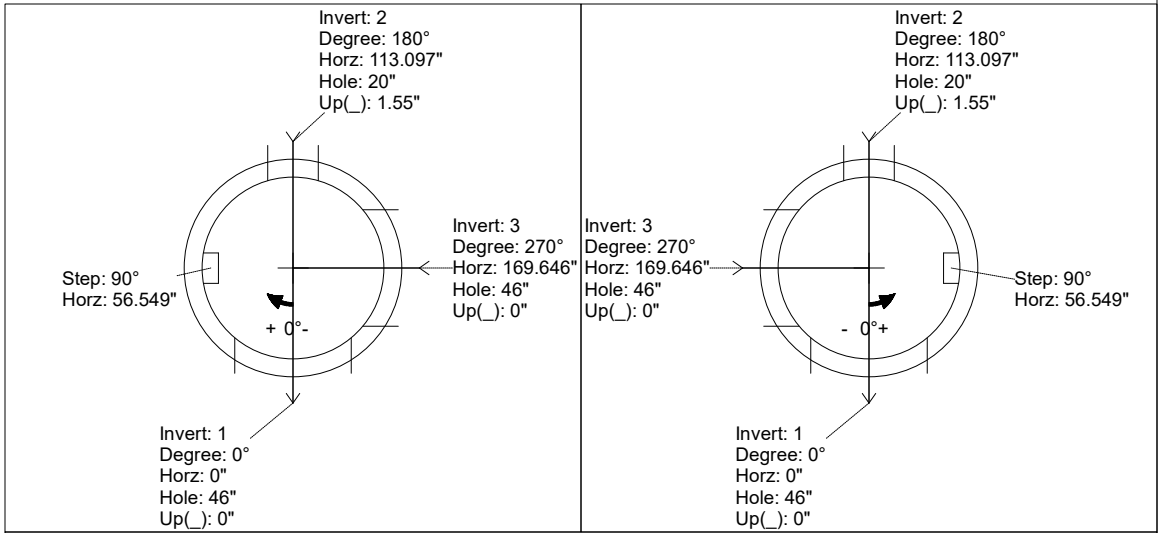
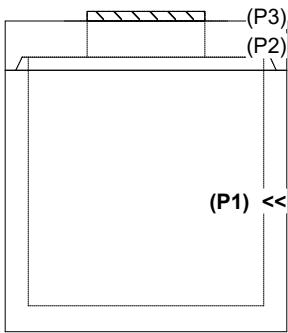
Structure Total: 18176 lb

Rim: 870.25' Rim to Invert: 7.5' Slack: 2.85" Sump: 2.85" Step Position: 90°

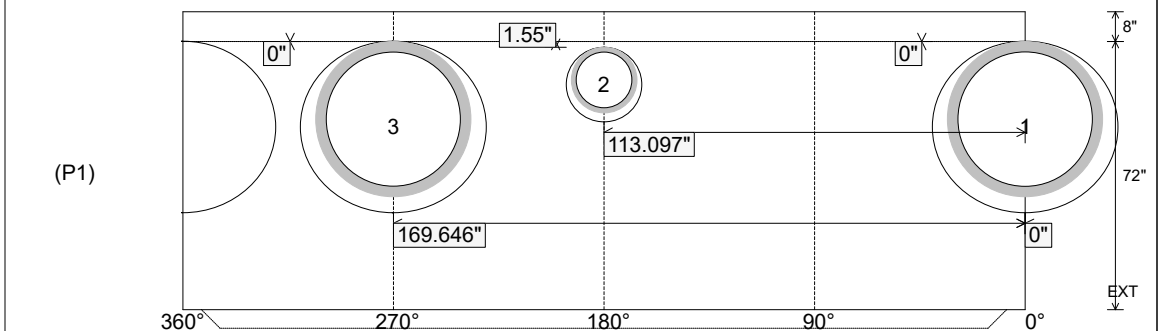
Position	Elev	Angle	Ext. (cw)	Pipe	Pipe OD	Connector	Hole	Horz Size	Up ( )	Offset
Invert 1	862.75'	0°	0"	36" HDPE	41.7"	Hole 46	46"	49.9"	0"	0"
Invert 2	862.75'	180°	135.088"	15" HDPE	17.6"	Hole 20	20"	20.267"	1.55"	0"
Invert 3	862.75'	270°	202.633"	36" HDPE	41.7"	Hole 46	46"	49.9"	0"	0"
Invert 4										
Invert 5										
Invert 6										
Invert 7										
Invert 8										

RIGHT-SIDE UP VIEW (int. dimensions)

UPSIDE-DOWN VIEW (int. dimensions)



INSIDE WALL DIMENSIONS



Coating (Int):  
 Coating (Ext):

Seam Up: Tongue  
 Seam Dn: n/a

Wall Thickness: 7"  
 Floor Height: 8"

Height (Int): 72"  
 Height (Ext): 80"

Weight (Net): 12120 lb  
 Volume (Net): 3.1cu.yd