



Structure ID: 321(127)

P1 HWPCCUS

66" - PIPE CULVERT HEADWALL CUSTOM w/DISS

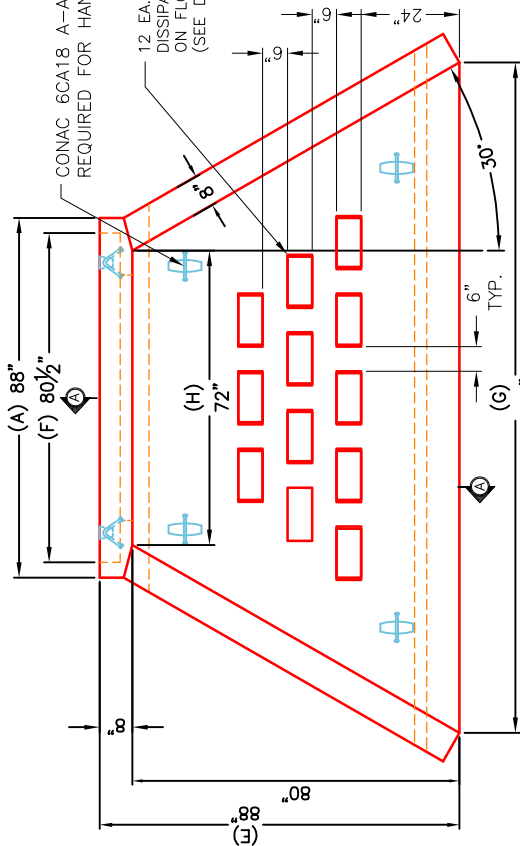
DIMENSIONS									
PIPE Ø	A	B	C	D	E	F	G	H	WEIGHT
66"	7'-4"	8'-6"	6'-6"	2'-6"	7'-4"	6'-8.5"	13'-8"	6'-0"	20,925 lbs

NOTES:

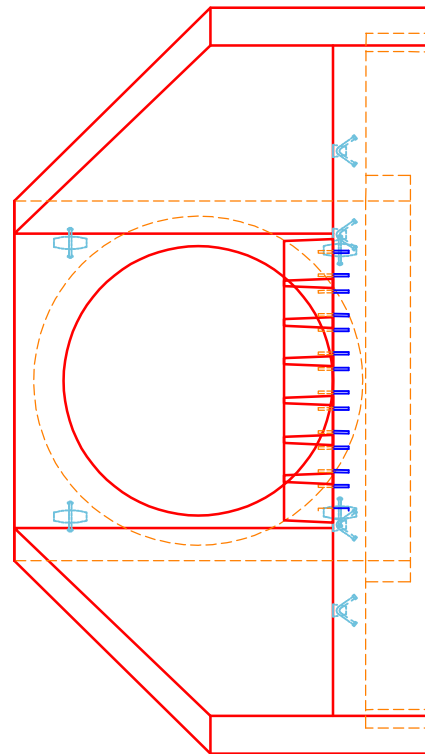
1. CONCRETE: 4500 PSI @ 28 DAYS.
2. REINFORCING: #5 BAR @ 12" C/C E.W.-GRADE 60, (WITH 2" CONCRETE COVER MINIMUM)
3. REINFORCING BARS TO BE TACK WELDED OR TIED.
4. DRAWING TO BE USED IN CONJUNCTION WITH KYTC STD. DRAWING RDH-110-02, RDH-210-03 AND THE STANDARD SPECIFICATIONS FOR ROAD AND BRIDGE CONSTRUCTION.
5. 3" CHAMFER ON ALL EXPOSED EDGES.
6. WEIGHT: 20,925 LBS.

CONAC 6CA18 A-ANCHORS REQUIRED FOR HANDLING (8 EA.)

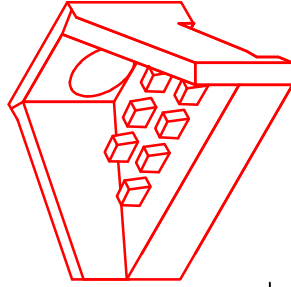
12 EA. 12"x12"x6" ENERGY DISSIPATOR BLOCKS MOUNTED ON FLOOR OF HEADWALL (SEE DETAIL).



PLAN VIEW

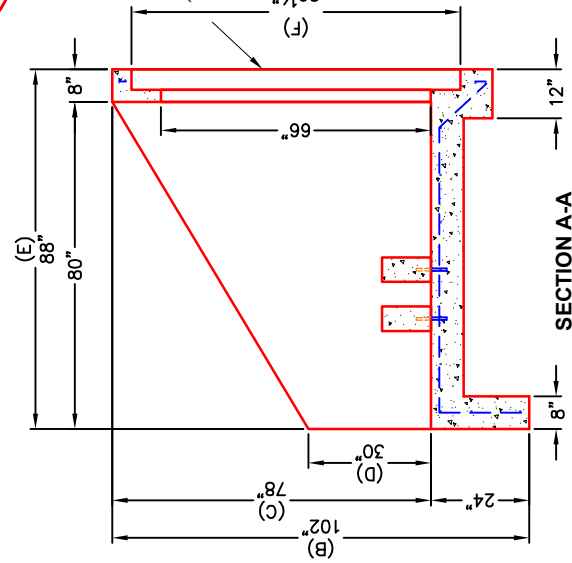


FRONT ELEVATION

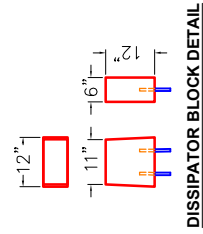


ISOMETRIC VIEW

ø66" TO ø80 1/2" STEPPED HOLE FORMER FOR ø66" PIPES. 66" TO BE FLUSH WITH FLOOR.



SECTION A-A



DISSIPATOR BLOCK DETAIL