



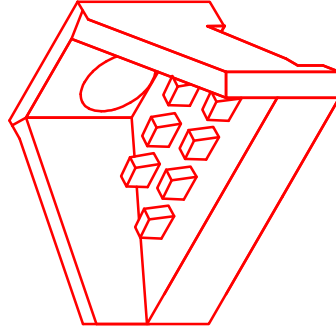
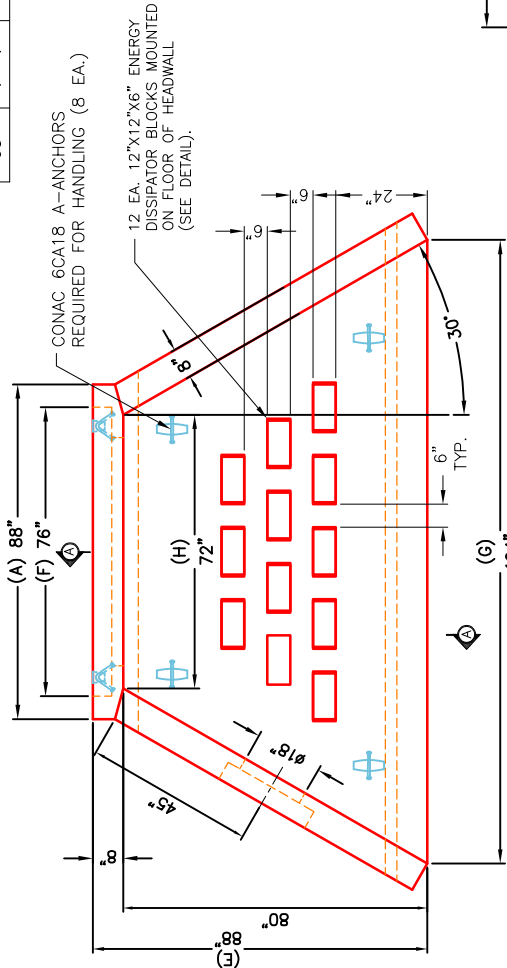
**Structure ID: 306 (122)**

**P1 HWPCCUS**

**60" - PIPE CULVERT HEADWALL CUSTOM w/DISS**

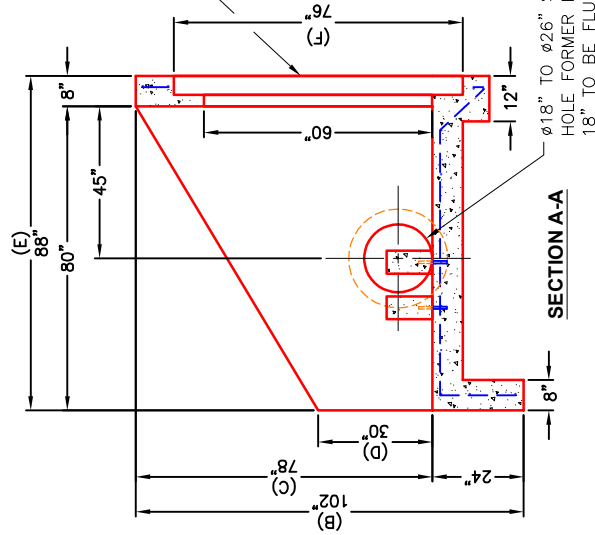
DIMENSIONS										
PIPE Ø	A	B	C	D	E	F	G	H	WEIGHT	DISSIPATORS
60"	7'-4"	8'-6"	6'-6"	2'-6"	7'-4"	6'-4"	13'-8"	6'-0"	20,925 lbs	12 ea.

- NOTES:**
1. CONCRETE: 4500 PSI @ 28 DAYS.
  2. REINFORCING: #5 BAR @ 12" C/C E.W.—GRADE 60, (WITH 2" CONCRETE COVER MINIMUM)
  3. REINFORCING BARS TO BE TACK WELDED OR TIED.
  4. DRAWING TO BE USED IN CONJUNCTION WITH KYTC STD. DRAWING RDH-110-02, RDH-210-03 AND THE STANDARD SPECIFICATIONS FOR ROAD AND BRIDGE CONSTRUCTION.
  5.  $\frac{3}{8}$ " CHAMFER ON ALL EXPOSED EDGES.
  6. WEIGHT: 20,925 LBS.



**ISOMETRIC VIEW**

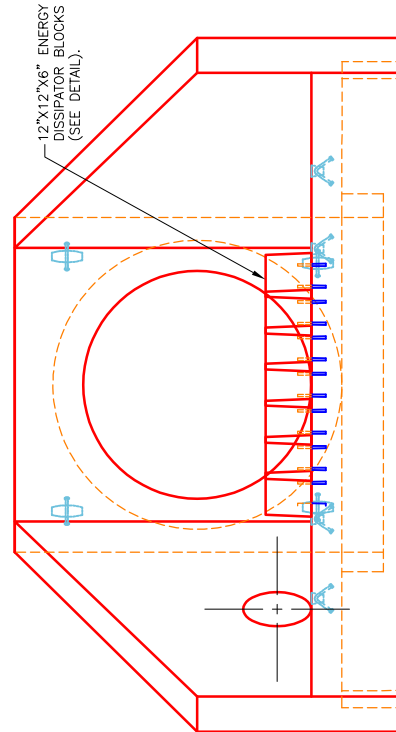
Ø60" TO Ø76" STEPPED HOLE FORMER FOR Ø60" PIPES. 60" TO BE FLUSH WITH FLOOR.



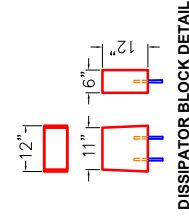
**SECTION A-A**

Ø18" TO Ø26" STEPPED HOLE FORMER FOR Ø18" PIPES. 18" TO BE FLUSH WITH FLOOR.

**PLAN VIEW**



**FRONT ELEVATION**



**DISSIPATOR BLOCK DETAIL**