

Job Name: 25-1431 - Georgetown Commons
Job Location: Georgetown, KY
Contractor: Winwater Hartford KY Co.

PC: A. Chambers
 TECH: J. Coppage
 Plant: Beaver Dam



Structure ID: **26+67.51**
 Spec: KYTC
 Type: DBI TYPE 10
 Size: 24" x 36"

Rim: 897.75'
 Invert: 897.75'
 Rim to Invert: 0'

Sump: 0"
 Floor (Top): 0"
 Floor Height: 0"

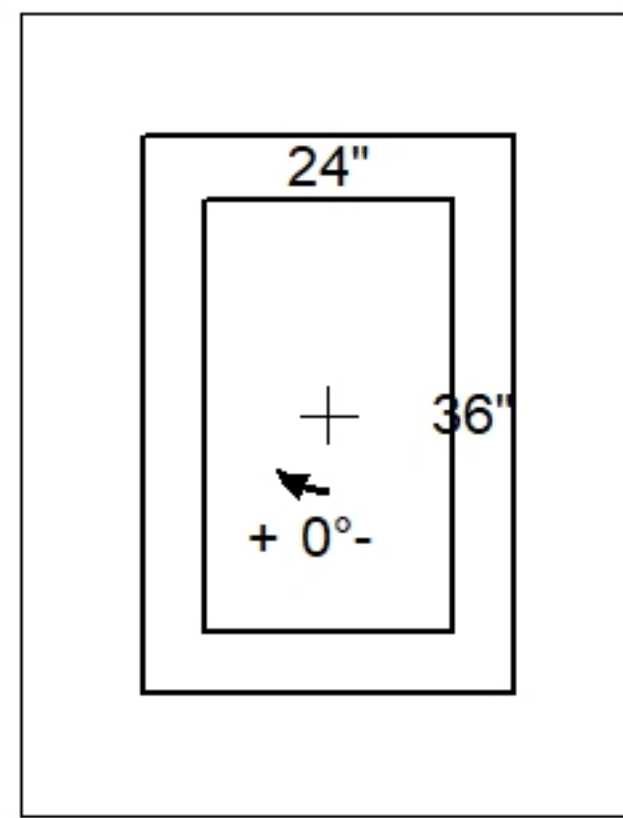
Floor (Bot): 0'
 Overall Height: 1.083'
 Slack: 10760"

- Structure Notes:
- JR HOE KY-550 PROVIDED BY ICAST.
 - KYTC DBI TYPE 10 / ASTM C-913 SPEC'S.
 - CONCRETE = 4,000 PSI AT 28 DAYS.
 - REINFORCING PER ASTM A615 (GRADE 60).
 - TOP SLAB (As .62) #5 BARS AT 6" C.C.E.W.
 - VERIFY THE REQUIRED SIZE FOR THE TOP SLAB.

STRUCTURE SUMMARY:

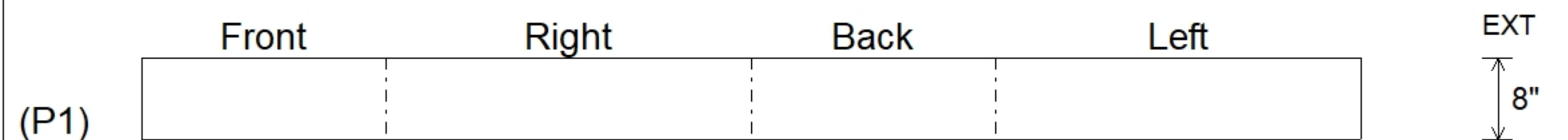
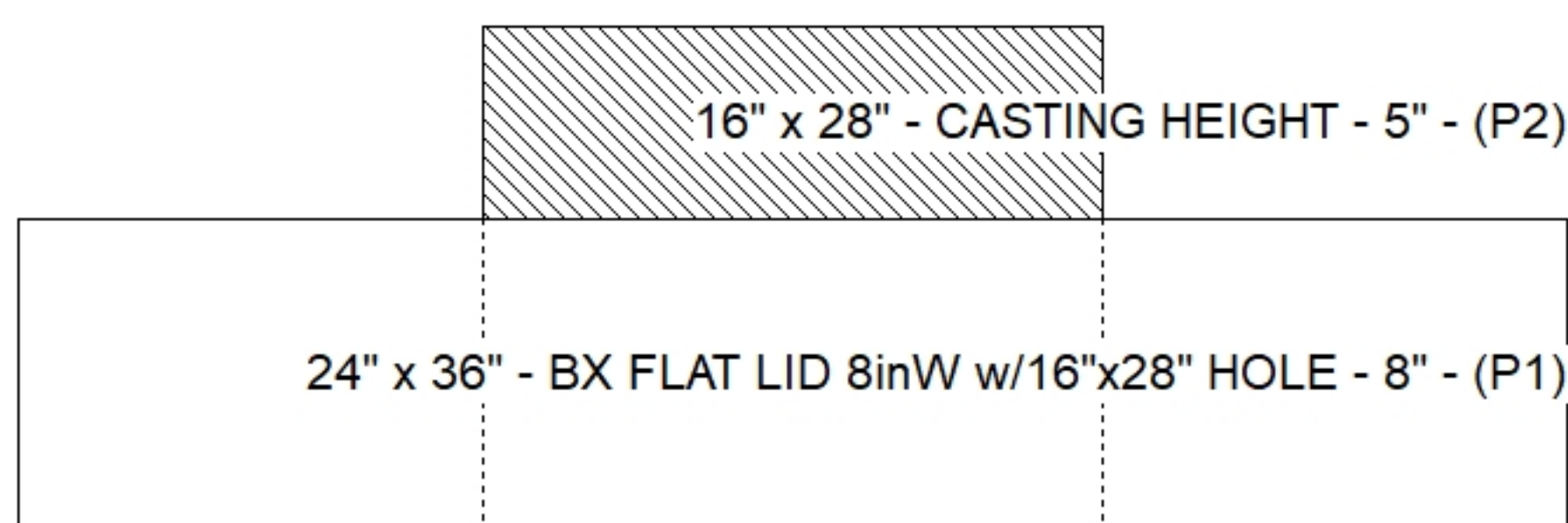
P2) 16" x 28" - CASTING HEIGHT - 5" 0 lb
 P1) 24" x 36" - BX FLAT LID 8inW w/16"x28" HOLE - 8" 1096 lb

Structure Total: 1096 lb



Position	Elev	Angle	Pipe	Pipe OD	Hole	Connector	Up ()	Ref
Rim	897.75'							
Reducer								
Invert 1								
Invert 2								
Invert 3								
Invert 4								
Invert 5								
Invert 6								
Invert 7								
Invert 8								

Default - Interior Dimensions



Submittal Drawing
 4/24/2026 2:28:00 PM

SUBMITTAL
 APPROVED BY: