

Job Name: 25-1428 - Jimmy Johns Newburgh
Job Location: Newburgh, IN
Contractor: Hahn Excavating, Inc.

PC: J. Jarvis
 TECH: J. Horsley - F
 Plant: 100



Structure ID: 504
 Spec: Storm
 Type: STM.MH
 Size: 48"

Rim: 423.88'
 Invert: 420.88'
 Rim to Invert: 3'

Sump: 2.25"
 Floor (Top): 420.693'
 Floor Height: 6"

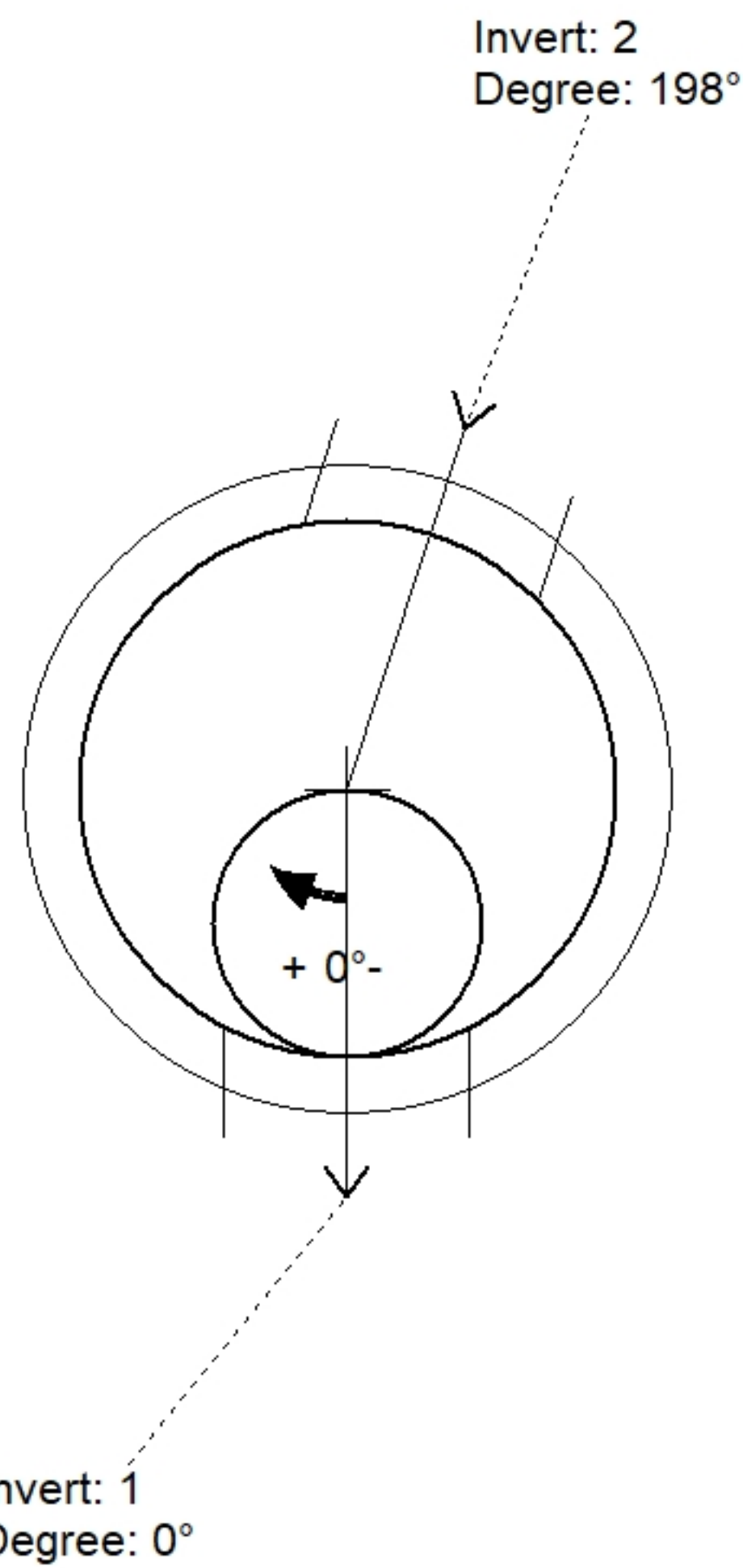
Floor (Bot): 420.193'
 Overall Height: 3.667'
 Slack: 0.25"

Structure Notes:

- PER ASTM C478 SPECIFICATIONS.
 - CONCRETE = 4,000 PSI AT 28 DAYS.
 - NO STEPS AND NO INVERT CHANNEL.
 - CASTING BY ICAST (HOE MC-315 F/C STORM)
- REINFORCING PER ASTM A615 (GRADE 60).
 - TOP SLAB (As .62) #5 BARS AT 6" C.C.E.W..
 - RISER/WALLS (As .12)
 - FLOOR (As .31) #5 BARS AT 12" C.C.E.W.

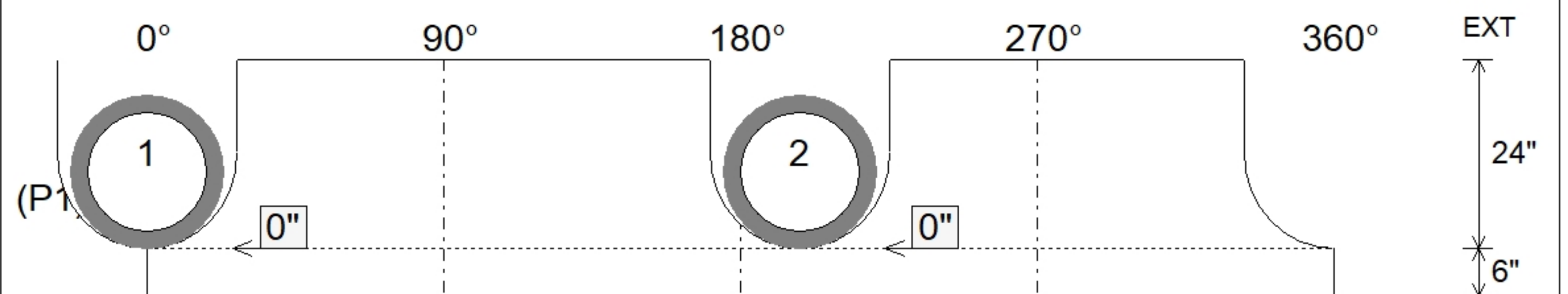
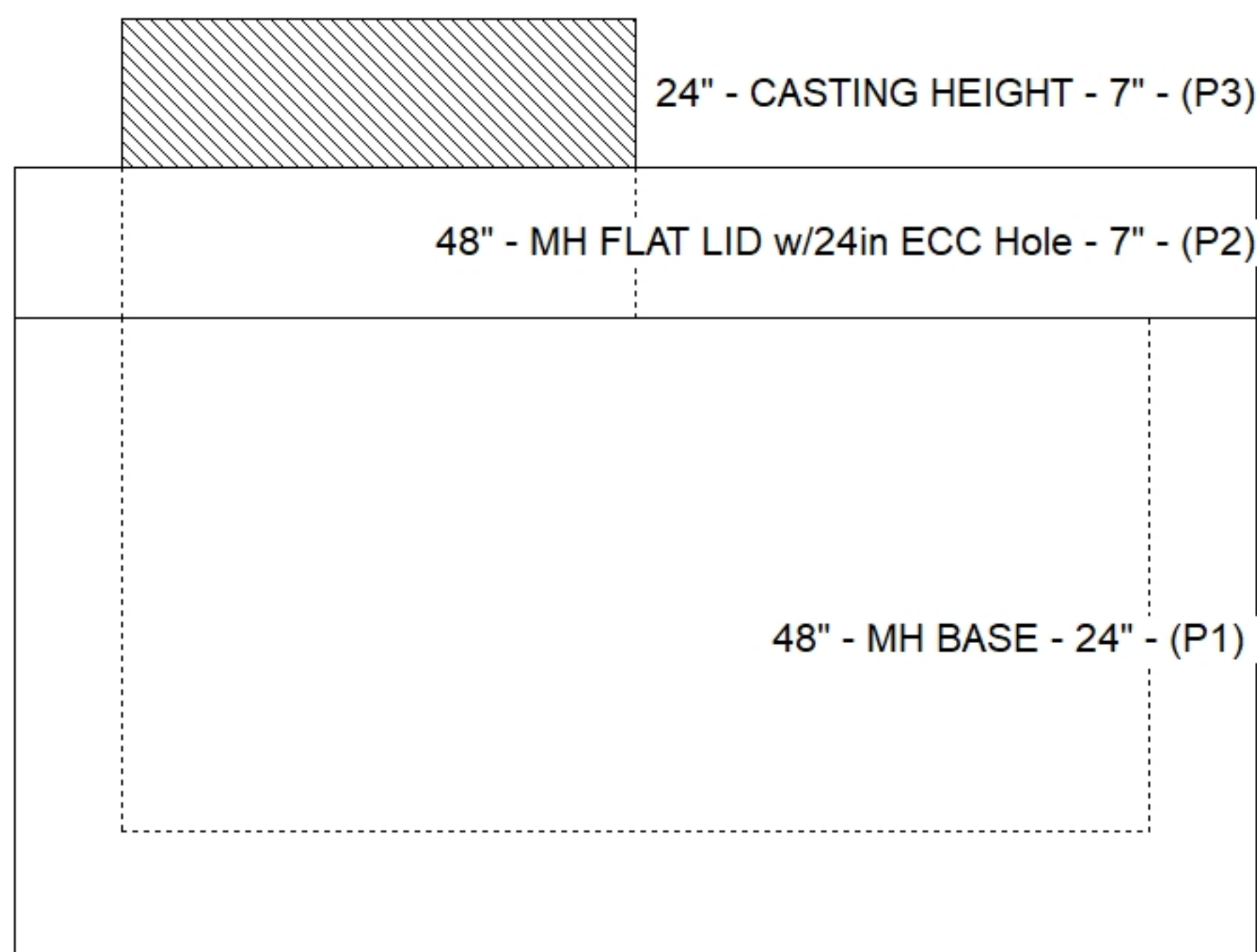
STRUCTURE SUMMARY:

P3) 24" - CASTING HEIGHT - 7"	0 lb
P2) 48" - MH FLAT LID w/24in ECC Hole - 7"	1286 lb
P1) 48" - MH BASE - 24"	2599 lb
1) CASTING - HOE MC-315 F/C Storm	258 lb
1) 48" - Conseal CS-102 1.00"	0 lb
2) DOGHOUSE INVRTD - 22"x24"	0 lb
Structure Total:	4143 lb



Position	Elev	Angle	Pipe	Pipe OD	Hole	Connector	Up ()	Ref
Rim	423.88'							
Reducer								
Invert 1	420.88'	0°	15" RCP B WALL	19.5"	22" x 24"	DOGHOUSE INVRTD 22"x24"	0"	P1
Invert 2	420.88'	198°	15" RCP B WALL	19.5"	22" x 24"	DOGHOUSE INVRTD 22"x24"	0"	P1
Invert 3								
Invert 4								
Invert 5								
Invert 6								
Invert 7								
Invert 8								

Default - Interior Dimensions



Submittal Drawing
 12/10/2025 2:08:51 PM

SUBMITTAL
 APPROVED BY: