

Job Name: 25-1428 - Jimmy Johns Newburgh
Job Location: Newburgh, IN
Contractor: Hahn Excavating, Inc.

PC: J. Jarvis
 TECH: J. Horsley - F
 Plant: 100



Structure ID: 502
 Spec: Storm
 Type: BX 6inW, 6inF
 Size: 30" x 30"

Rim: 423.75'
 Invert: 421.25'
 Rim to Invert: 2.5'

Sump: 2.25"
 Floor (Top): 421.063'
 Floor Height: 6"

Floor (Bot): 420.563'
 Overall Height: 3.167'
 Slack: 0.25"

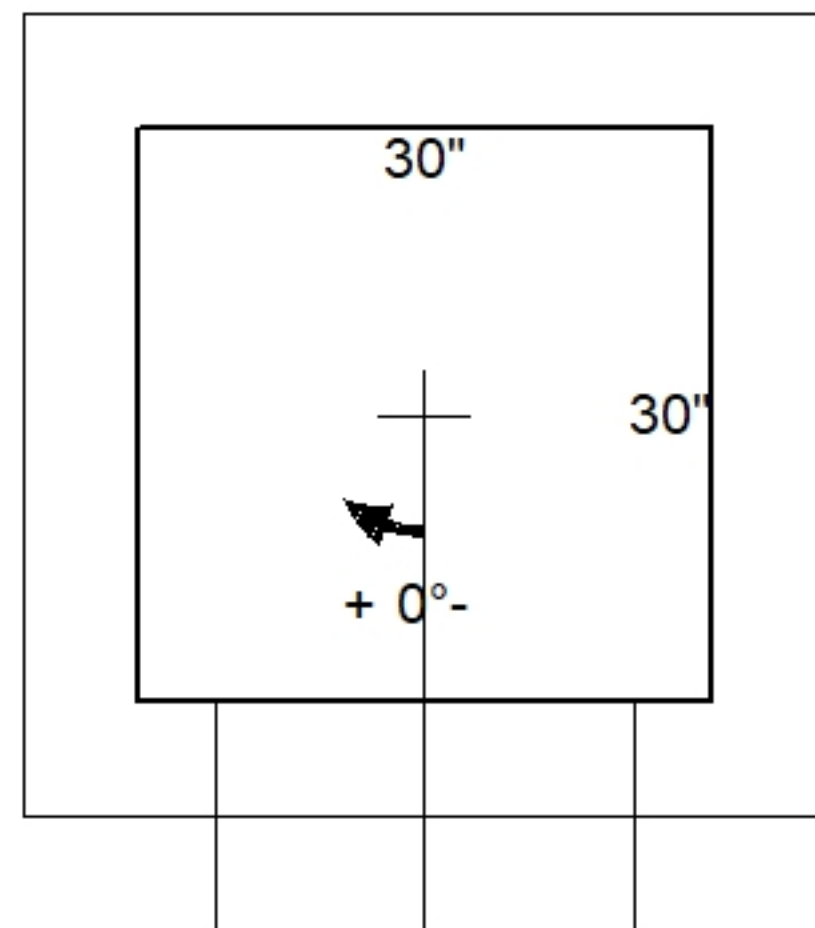
Structure Notes:

1. PER ASTM C913 SPECIFICATIONS.
 2. CONCRETE = 4,000 PSI AT 28 DAYS.
 3. NO STEPS AND NO INVERT CHANNEL.
 4. CASTING BY ICAST (HOE 468 F/G).
- REINFORCING PER ASTM A615 (GRADE 60).
 - WALLS (As .12) #5 BARS AT 12" C.C.E.W.
 - FLOOR (As .12) #5 BARS AT 12" C.C.E.W.

STRUCTURE SUMMARY:

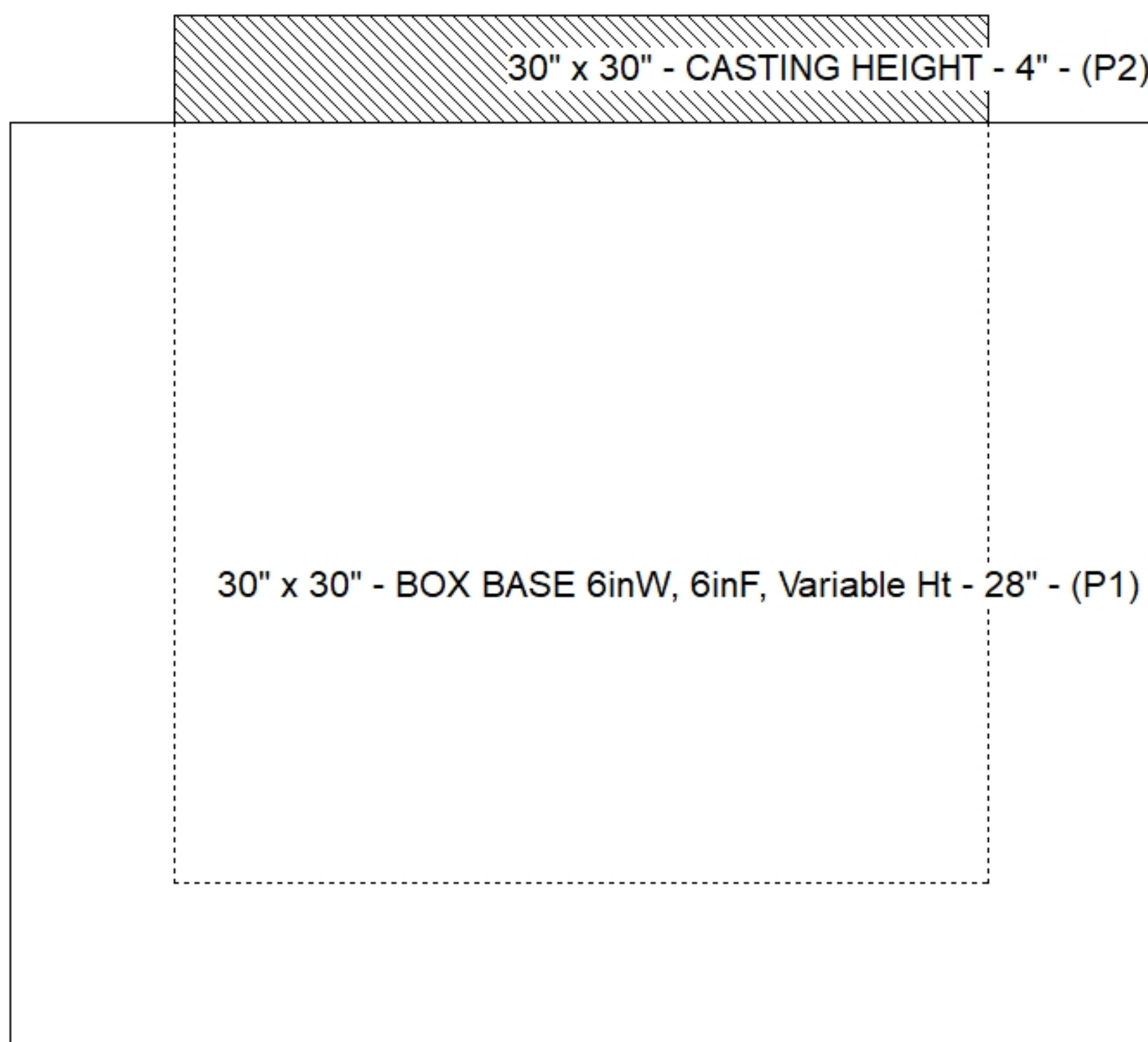
P2) 30" x 30" - CASTING HEIGHT - 4"	0 lb
P1) 30" x 30" - BOX BASE 6inW, 6inF, Variable Ht - 28"	2727 lb
1) CASTING - HOE 468 F/G	489 lb
1) 30" x 30" - Conseal CS-102 1.00"	0 lb
1) Hole - 22	0 lb

Structure Total:	3216 lb

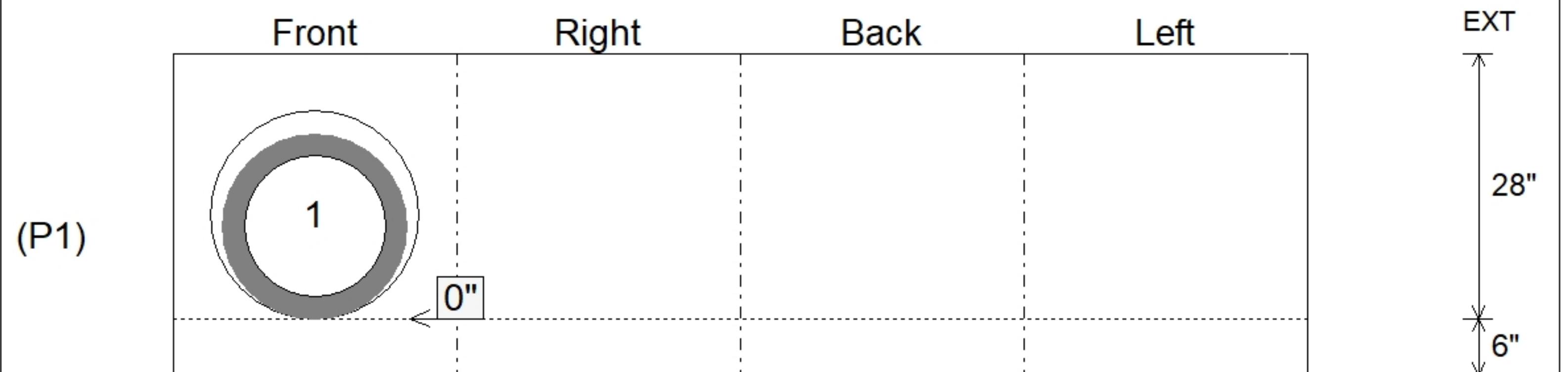


Invert: 1
 Degree: 0°

Position	Elev	Angle	Pipe	Pipe OD	Hole	Connector	Up (L)	Ref
Rim	423.75'							
Reducer								
Invert 1	421.25'	0°	15" RCP B WALL	19.5"	22"	Hole 22	0"	P1
Invert 2								
Invert 3								
Invert 4								
Invert 5								
Invert 6								
Invert 7								
Invert 8								



Default - Interior Dimensions



Submittal Drawing
 12/10/2025 2:08:51 PM

SUBMITTAL
 APPROVED BY: