

Job Name: 25-1428 - Jimmy Johns Newburgh
Job Location: Newburgh, IN
Contractor: Hahn Excavating, Inc.

PC: J. Jarvis
 TECH: J. Horsley - F
 Plant: 100



Structure ID: 500
 Spec: Storm
 Type: BX 8inW, 8inF
 Size: 24" x 36"

Rim: 423.01'
 Invert: 420.51'
 Rim to Invert: 2.5'

Sump: 2.25"
 Floor (Top): 420.323'
 Floor Height: 8"

Floor (Bot): 419.656'
 Overall Height: 3.333'
 Slack: 0.25"

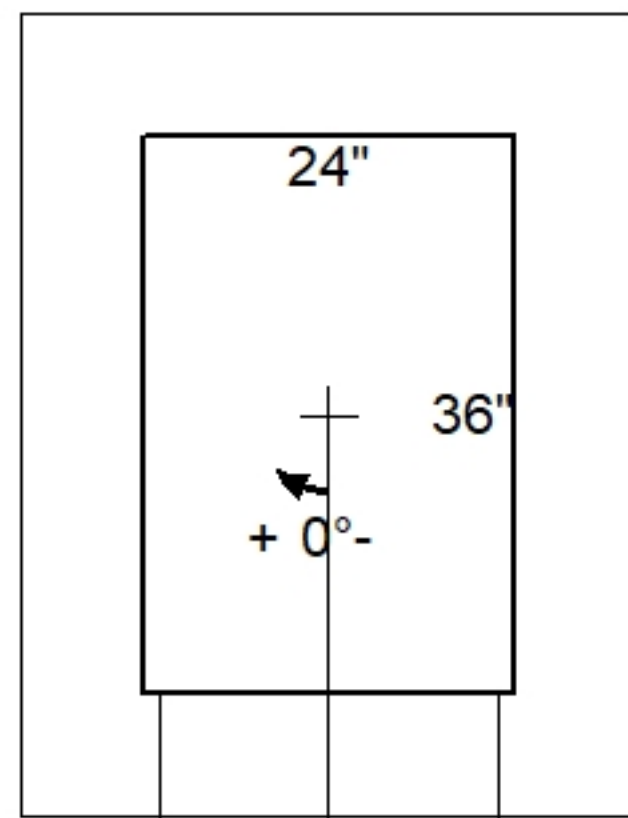
Structure Notes:

1. PER ASTM C913 SPECIFICATIONS.
2. CONCRETE = 4,000 PSI AT 28 DAYS.
3. NO STEPS AND NO INVERT CHANNEL.
4. CASTING BY ICAST (HOE 525 LV SET (F/G/H)).

REINFORCING PER ASTM A615 (GRADE 60).
 - WALLS (As .12) #5 BARS AT 12" C.C.E.W.
 - FLOOR (As .12) #5 BARS AT 12" C.C.E.W.

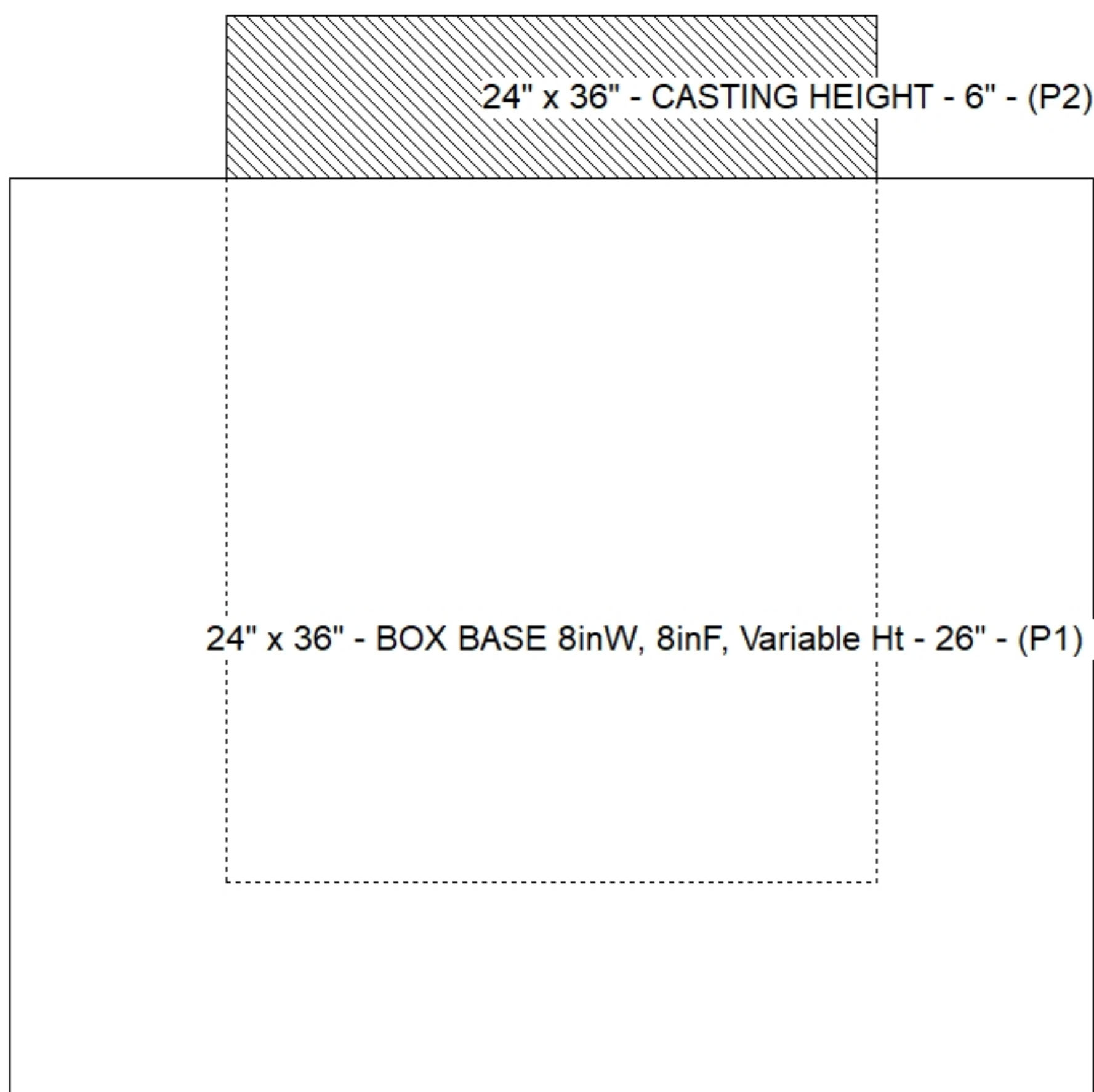
STRUCTURE SUMMARY:

P2) 24" x 36" - CASTING HEIGHT - 6"	0 lb
P1) 24" x 36" - BOX BASE 8inW, 8inF, Variable Ht - 26"	3794 lb
1) CASTING - HOE 525 LV SET (F/G/H)	442 lb
1) 24" x 36" - Conseal CS-102 1.00"	0 lb
1) Hole - 22	0 lb
Structure Total:	4236 lb

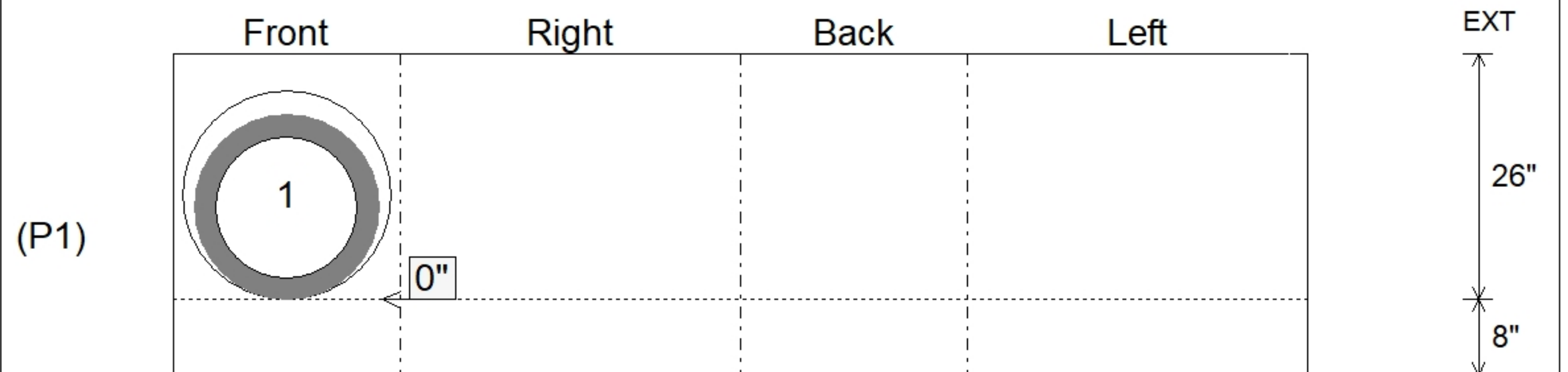


Invert: 1
 Degree: 0°

Position	Elev	Angle	Pipe	Pipe OD	Hole	Connector	Up ()	Ref
Rim	423.01'							
Reducer								
Invert 1	420.51'	0°	15" RCP B WALL	19.5"	22"	Hole 22	0"	P1
Invert 2								
Invert 3								
Invert 4								
Invert 5								
Invert 6								
Invert 7								
Invert 8								



Default - Interior Dimensions



Submittal Drawing
 12/10/2025 2:08:49 PM

SUBMITTAL
 APPROVED BY: