

Job Name: 25-1385C W6 Ph.II-A Force Main Improvements
Job Location: Burlington, KY
Contractor: Lawrence Construction & Leasing, Inc.

PC: J. Jarvis
 TECH: J. Coppage
 Plant: Beaver Dam



Structure ID: **51385C 2**
 Spec: Sanitary
 Type: SAN.MH
 Size: 48"

Rim: 0'
 Invert: 0'
 Rim to Invert: 0'

Sump: 0"
 Floor (Top): -3'
 Floor Height: 0"

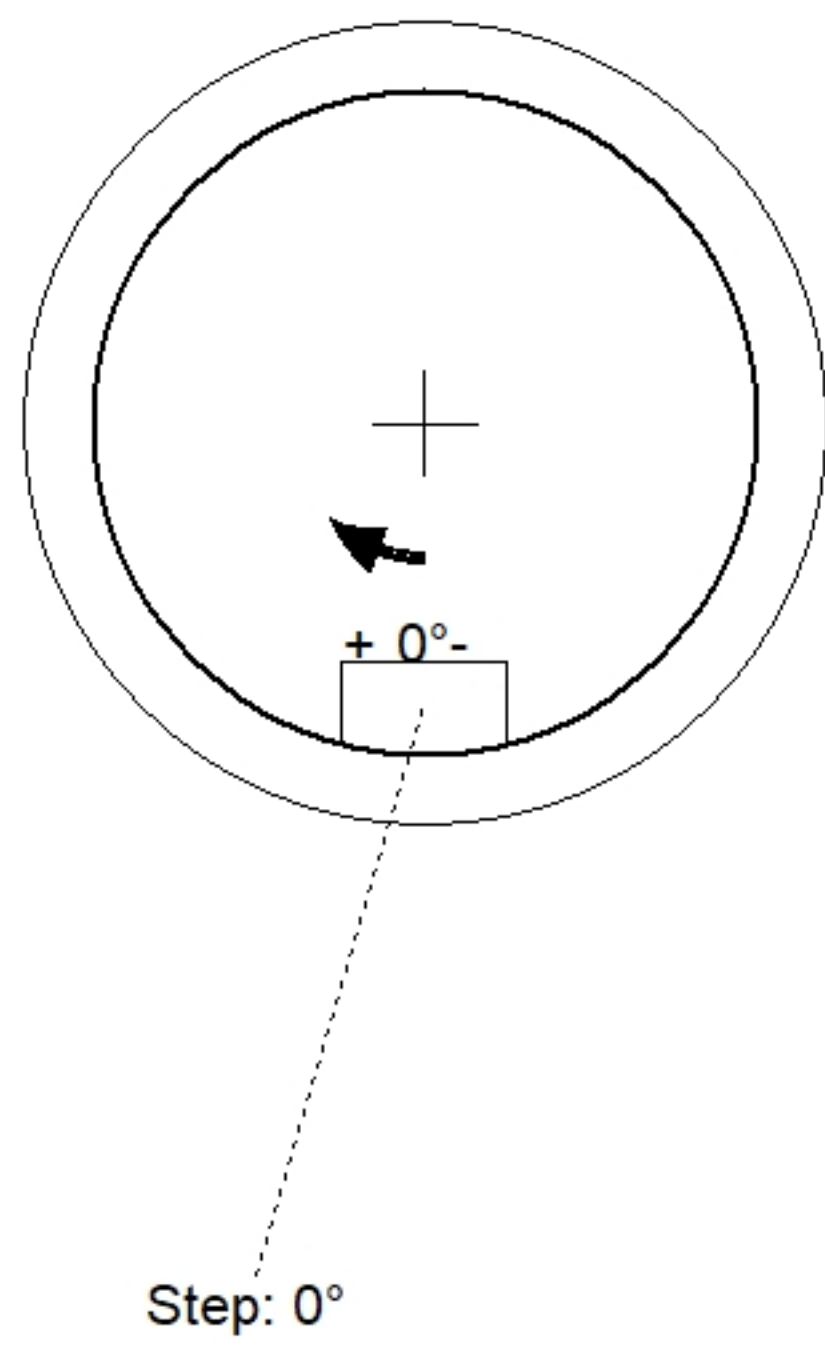
Floor (Bot): -3'
 Overall Height: 3'
 Slack: 0"

Structure Notes:

1. PER ASTM C478 SPECIFICATIONS.
2. CONCRETE = 4,000 PSI AT 28 DAYS.
3. REINFORCING PER ASTM A615 (GRADE 60).
- RISER/WALLS (As .12)
4. A-LOK DURA-PLATE 100 LINER REQUIRED.

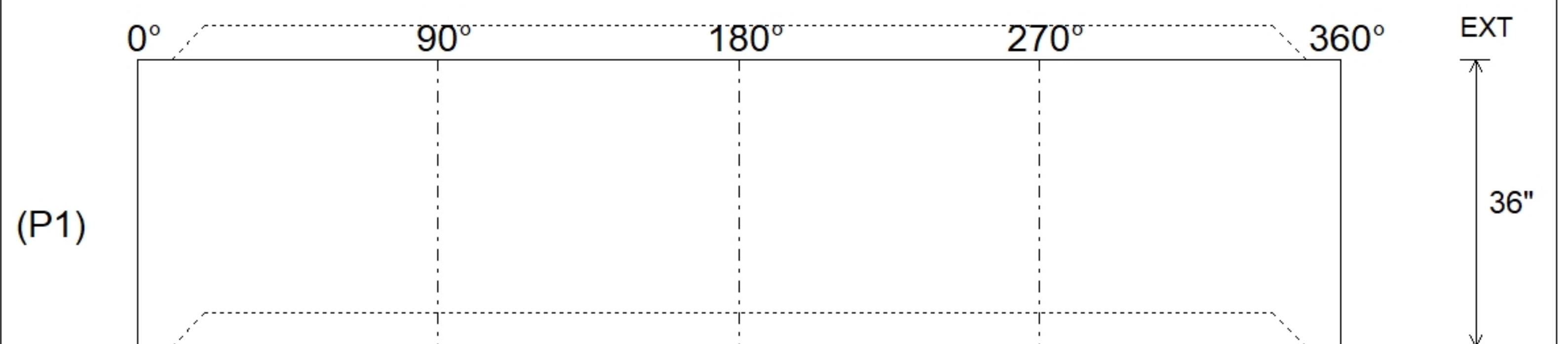
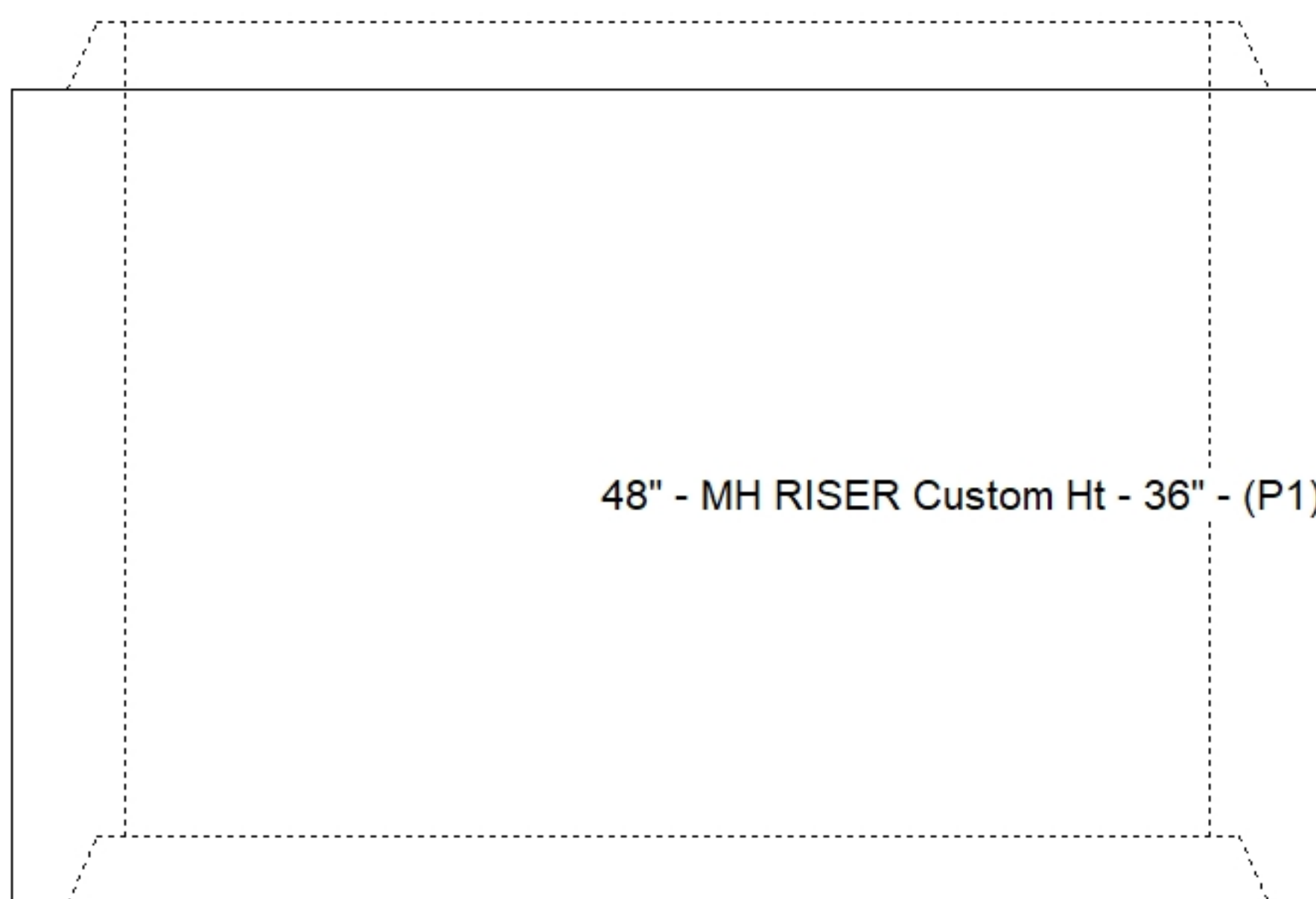
STRUCTURE SUMMARY:

P1) 48" - MH RISER Custom Ht - 36"	2515 lb
1) A-LOK DURA-PLATE 100 LINER - PSSPEC-EA	0 lb
1) 48" - DBL 1"x14.5' Butyl (2x)	0 lb
3) MH Step ML-10-TDS-NCR - 10"	0 lb
Structure Total:	2515 lb



Position	Elev	Angle	Pipe	Pipe OD	Hole	Connector	Up ()	Ref
Rim	0'							
Reducer								
Invert 1								
Invert 2								
Invert 3								
Invert 4								
Invert 5								
Invert 6								
Invert 7								
Invert 8								

Default - Interior Dimensions



Submittal Drawing
 11/14/2025 7:57:40 AM

SUBMITTAL
 APPROVED BY: