

**Job Name: 25-1375D - 508-510 Southgate Ave**  
**Job Location: Nashville, TN**  
**Contractor: Hayes Pipe Supply**

PC: E. Bradley  
 TECH: J. Horsley  
 Plant: 100



Structure ID: **MH 2**  
 Spec: Sanitary  
 Type: SAN.MH w/ConBlock-CDA Red  
 Size: 48"

Rim: 493.6'  
 Invert: 482.8'  
 Rim to Invert: 10.8'

Sump: 2"  
 Floor (Top): 482.633'  
 Floor Height: 6"

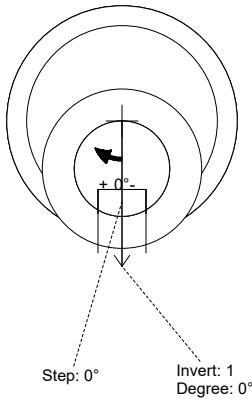
Floor (Bot): 482.133'  
 Overall Height: 11.417'  
 Slack: 0.6"

**Structure Notes:**

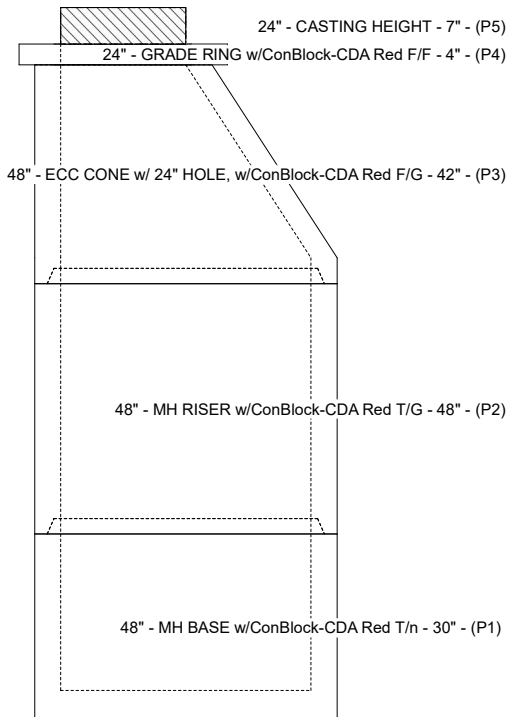
1. PER ASTM C-478 SPECIFICATIONS
2. CONCRETE: 4,000 PSI AT 28 DAYS
3. REINFORCEMENT: PER ASTM A615
4. INVERT CHANNEL REQUIRED
5. STEPS AT 0 DEGREES
6. CONBLOCK CDA RED ADMIXTURE REQUIRED
7. JBS 1150 FRAME & COVER "SANITARY" SUPPLIED BY OTHERS

**STRUCTURE SUMMARY:**

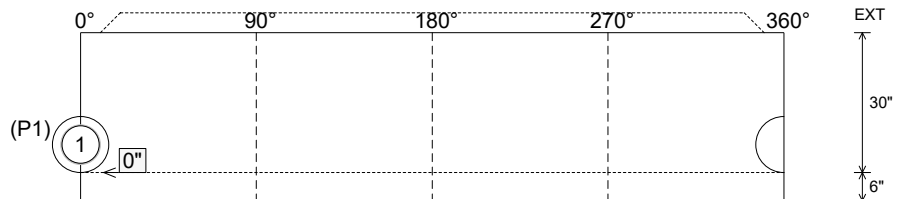
- P5) 24" - CASTING HEIGHT - 7" 0 lb
  - P4) 24" - GRADE RING w/ConBlock-CDA Red F/F - 4" 270 lb
  - P3) 48" - ECC CONE w/ 24" HOLE, w/ConBlock-CDA Red F/G - 42" 3116 lb
  - P2) 48" - MH RISER w/ConBlock-CDA Red T/G - 48" 3353 lb
  - P1) 48" - MH BASE w/ConBlock-CDA Red T/n - 30" 3378 lb
  - 1) JOINT WRAP - 0.065"x6"x50' CONSEAL CS212 0 lb
  - 1) JOINT WRAP PRIMER - CONSEAL CS-75 (1 gal.) 0 lb
  - 1) 48" - MH INVERT CHANNEL w/ConBlock-CDA Red - FULL HEIGHT 1440 lb
  - 1) ADMIXTURE CONBLOCK CDA RED 0 lb
  - 2) 48" - Conseal CS-102 1.00" (Double) 0 lb
  - 1) PSX - 12-08 NYLO 8 lb
  - 10) MH Step ML-10-TDS-NCR - 10" 0 lb
- Structure Total: 11566 lb



Position	Elev	Angle	Pipe	Pipe OD	Hole	Connector	Up (L)	Ref
Rim	493.6'							
Reducer								
Invert 1	482.8'	0°	8" PVC SDR26	8.5"	12"	PSX 12-08 NYLO	0"	P1
Invert 2								
Invert 3								
Invert 4								
Invert 5								
Invert 6								
Invert 7								
Invert 8								



**Cast (Int. Dim.) - Interior Dimensions**



Submittal Drawing  
 3/30/2026 1:45:26 PM

SUBMITTAL  
 APPROVED BY: