

Job Name: 25-1375D - 508-510 Southgate Ave
Job Location: Nashville, TN
Contractor: Hayes Pipe Supply

PC: E. Bradley
 TECH: J. Horsley
 Plant: 100



Structure ID: **MH 1**
 Spec: Sanitary
 Type: SAN.MH Doghouse w/ConBlockCDA Red
 Size: 48"

Rim: 479.65'
 Invert: 473.86'
 Rim to Invert: 5.79'

Sump: 4"
 Floor (Top): 473.527'
 Floor Height: 0"

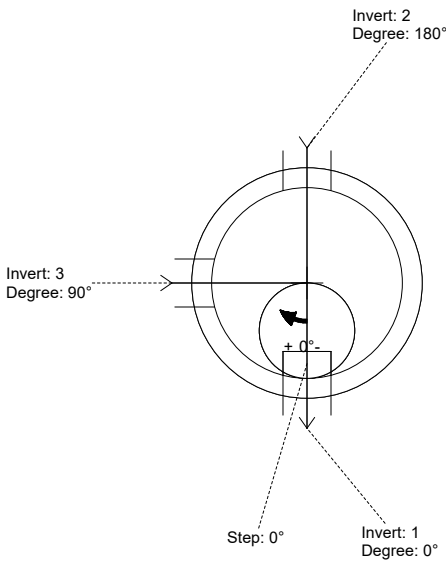
Floor (Bot): 473.527'
 Overall Height: 6.083'
 Slack: 0.48"

Structure Notes:

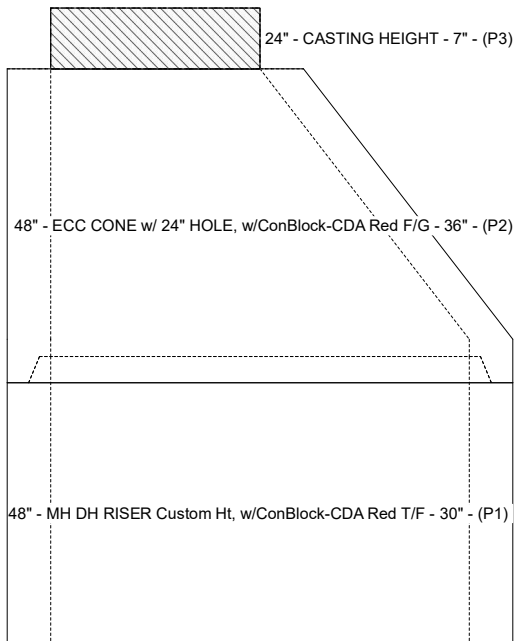
1. PER ASTM C-478 SPECIFICATIONS
2. CONCRETE: 4,000 PSI AT 28 DAYS
3. REINFORCEMENT: PER ASTM A615
4. NO INVERT CHANNEL
5. STEPS AT 0 DEGREES
6. CONBLOCK CDA RED ADMIXTURE REQUIRED
7. JBS 1150 FRAME & COVER "SANITARY" SUPPLIED BY OTHERS

STRUCTURE SUMMARY:

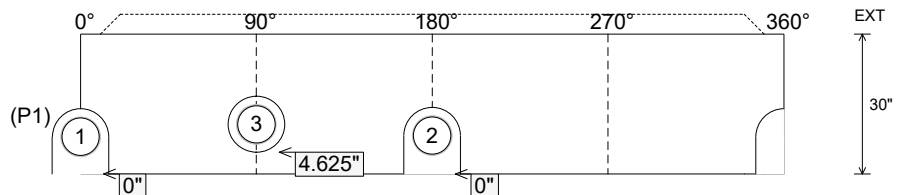
- P3) 24" - CASTING HEIGHT - 7" 0 lb
 - P2) 48" - ECC CONE w/ 24" HOLE, w/ConBlock-CDA Red F/G - 36" 2251 lb
 - P1) 48" - MH DH RISER Custom Ht, w/ConBlock-CDA Red T/F - 30" 1918 lb
 - 1) JOINT WRAP - 0.065"x6"x50' CONSEAL CS212 0 lb
 - 1) JOINT WRAP PRIMER - CONSEAL CS-75 (1 gal.) 0 lb
 - 1) ADMIXTURE CONBLOCK CDA RED 0 lb
 - 1) 48" - Conseal CS-102 1.00" (Double) 0 lb
 - 1) DOGHOUSE - 12"x14" 0 lb
 - 1) DOGHOUSE - 12"x14.25" 0 lb
 - 1) PSX - 12-08 NYLO 8 lb
 - 5) MH Step ML-10-TDS-NCR - 10" 0 lb
- Structure Total: 4177 lb**



| Position | Elev | Angle | Pipe | Pipe OD | Hole | Connector | Up (") | Ref |
|----------|---------|-------|--------------|---------|--------------|---------------------|--------|-----|
| Rim | 479.65' | | | | | | | |
| Reducer | | | | | | | | |
| Invert 1 | 473.86' | 0° | 8" PVC SDR26 | 8.5" | 12" x 14" | DOGHOUSE 12"x14" | 0" | P1 |
| Invert 2 | 473.88' | 180° | 8" PVC SDR26 | 8.5" | 12" x 14.25" | DOGHOUSE 12"x14.25" | 0" | P1 |
| Invert 3 | 474.08' | 90° | 8" PVC SDR26 | 8.5" | 12" | PSX 12-08 NYLO | 4.625" | P1 |
| Invert 4 | | | | | | | | |
| Invert 5 | | | | | | | | |
| Invert 6 | | | | | | | | |
| Invert 7 | | | | | | | | |
| Invert 8 | | | | | | | | |



Cast (Int. Dim.) - Interior Dimensions



Submittal Drawing
 3/30/2026 1:45:25 PM

SUBMITTAL
 APPROVED BY: