

Job Name: 25-1375D - 508-510 Southgate Ave
 Job Location: Nashville, TN
 Contractor: Hayes Pipe Supply

Plant: 100

Tech: J. Horsley

3/30/2026 1:48:48 PM

PC: E. Bradley



Structure ID: MH 1

P1 MH048DHVFCDA RED

MH DH RISER Custom Ht, w/ConBlock-CDA Red T/F

- P3) 24" - CASTING HEIGHT - 7"
- P2) 48" - ECC CONE w/ 24" HOLE, w/ConBlock-CDA Red F/G - 36"
- P1) 48" - MH DH RISER Custom Ht, w/ConBlock-CDA Red T/F - 30"
- 1) JOINT WRAP - 0.065"x6"x50" CONSEAL CS212
- 1) JOINT WRAP PRIMER - CONSEAL CS-75 (1 gal.)
- 1) ADMIXTURE CONBLOCK CDA RED
- 1) 48" - Conseal CS-102 1.00" (Double)
- 1) DOGHOUSE - 12"x14"
- 1) DOGHOUSE - 12"x14.25"
- 1) PSX - 12-08 NYLO
- 5) MH Step ML-10-TDS-NCR - 10"

0 lb
 2251 lb
 1918 lb
 0 lb
 0 lb
 0 lb
 0 lb
 0 lb
 0 lb
 8 lb
 0 lb

- Structure Notes:
1. PER ASTM C-478 SPECIFICATIONS
 2. CONCRETE: 4,000 PSI AT 28 DAYS
 3. REINFORCEMENT: PER ASTM A615
 4. NO INVERT CHANNEL
 5. STEPS AT 0 DEGREES
 6. CONBLOCK CDA RED ADMIXTURE REQUIRED
 7. JBS 1150 FRAME & COVER "SANITARY" SUPPLIED BY OTHERS

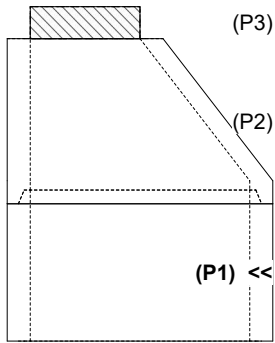
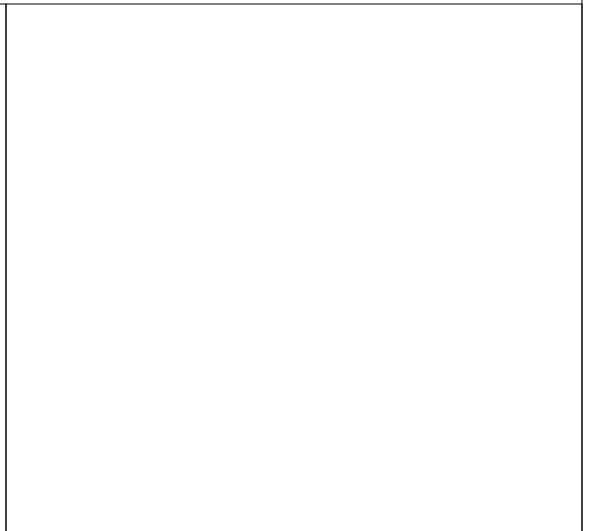
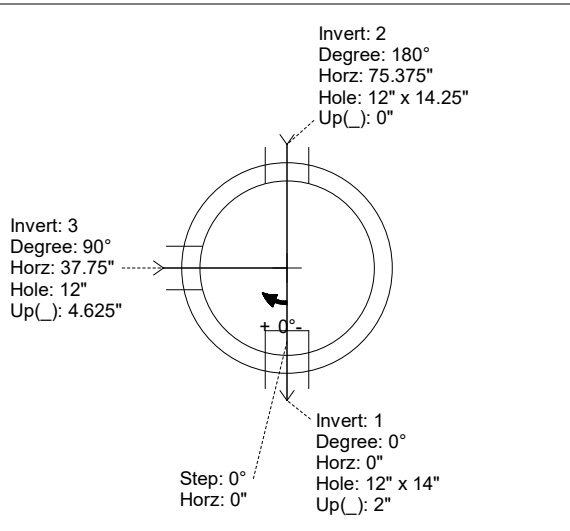
Structure Total: 4177 lb

Rim: 479.65' Rim to Invert: 5.79' Slack: 0.48" Sump: 4" Step Position: 0°

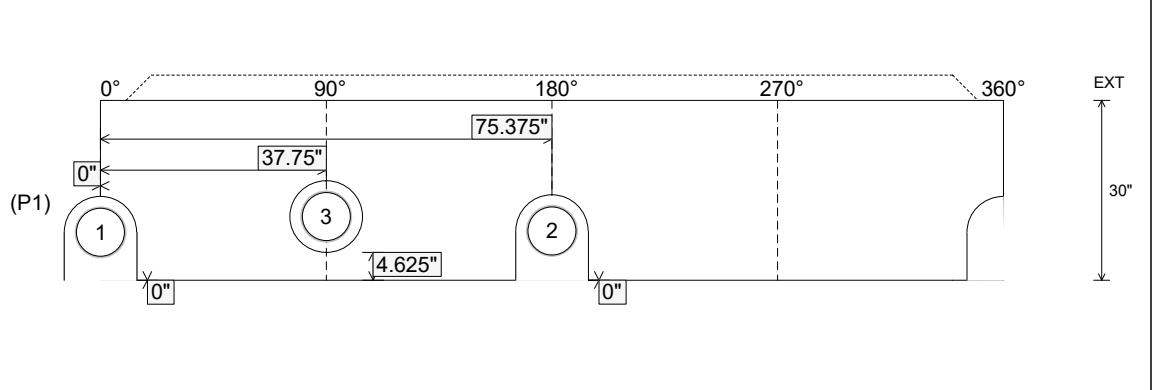
Position	Elev	Angle	Ext. (cw)	Pipe	Pipe OD	Connector	Hole	Horz Size	Up ()	Offset
Invert 1	473.86'	0°	0"	8" PVC SDR26	8.5"	DOGHOUSE 12"x14"	12" x 14"	12.129"	0"	0"
Invert 2	473.88'	180°	91.125"	8" PVC SDR26	8.5"	DOGHOUSE 12"x14.25"	12" x 14.25"	12.129"	0"	0"
Invert 3	474.08'	90°	45.5"	8" PVC SDR26	8.5"	PSX 12-08 NYLO	12"	12.129"	4.625"	0"
Invert 4										
Invert 5										
Invert 6										
Invert 7										
Invert 8										

RIGHT-SIDE UP VIEW (int. dimensions)

UPSIDE-DOWN VIEW (int. dimenions)



INSIDE WALL DIMENSIONS



Coating (Int):
 Coating (Ext):

Seam Up: Tongue
 Seam Dn: Flat

Wall Thickness: 5"
 Floor Height: 0"

Height (Int): 30"
 Height (Ext): 30"

Weight (Net): 1918 lb
 Volume (Net): 0.49cu.yd