

Job Name: 25-1348B Lakeview Pointe Sewer System Expansion
Job Location: Kuttawa, KY
Contractor: Randy Sheffer

PC: A. Chambers
 TECH: J. Coppage
 Plant: Beaver Dam



Structure ID: **ARV-1-2**
 Spec: Sanitary
 Type: Air Release MH
 Size: 48"

Rim: 4.63'
 Invert: 0'
 Rim to Invert: 4.63'

Sump: 4"
 Floor (Top): -0.333'
 Floor Height: 0"

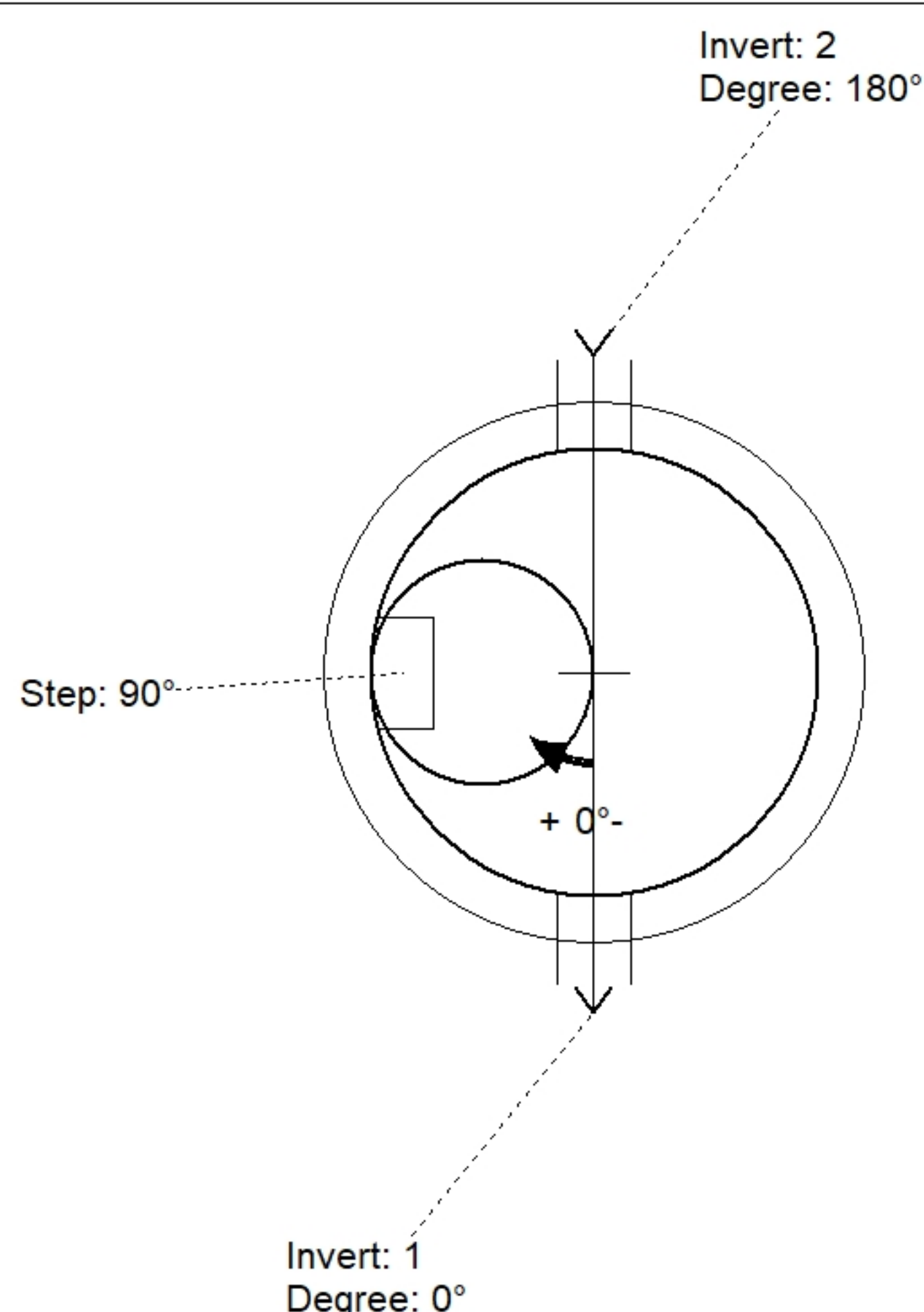
Floor (Bot): -0.333'
 Overall Height: 4.917'
 Slack: 0.56"

Structure Notes:

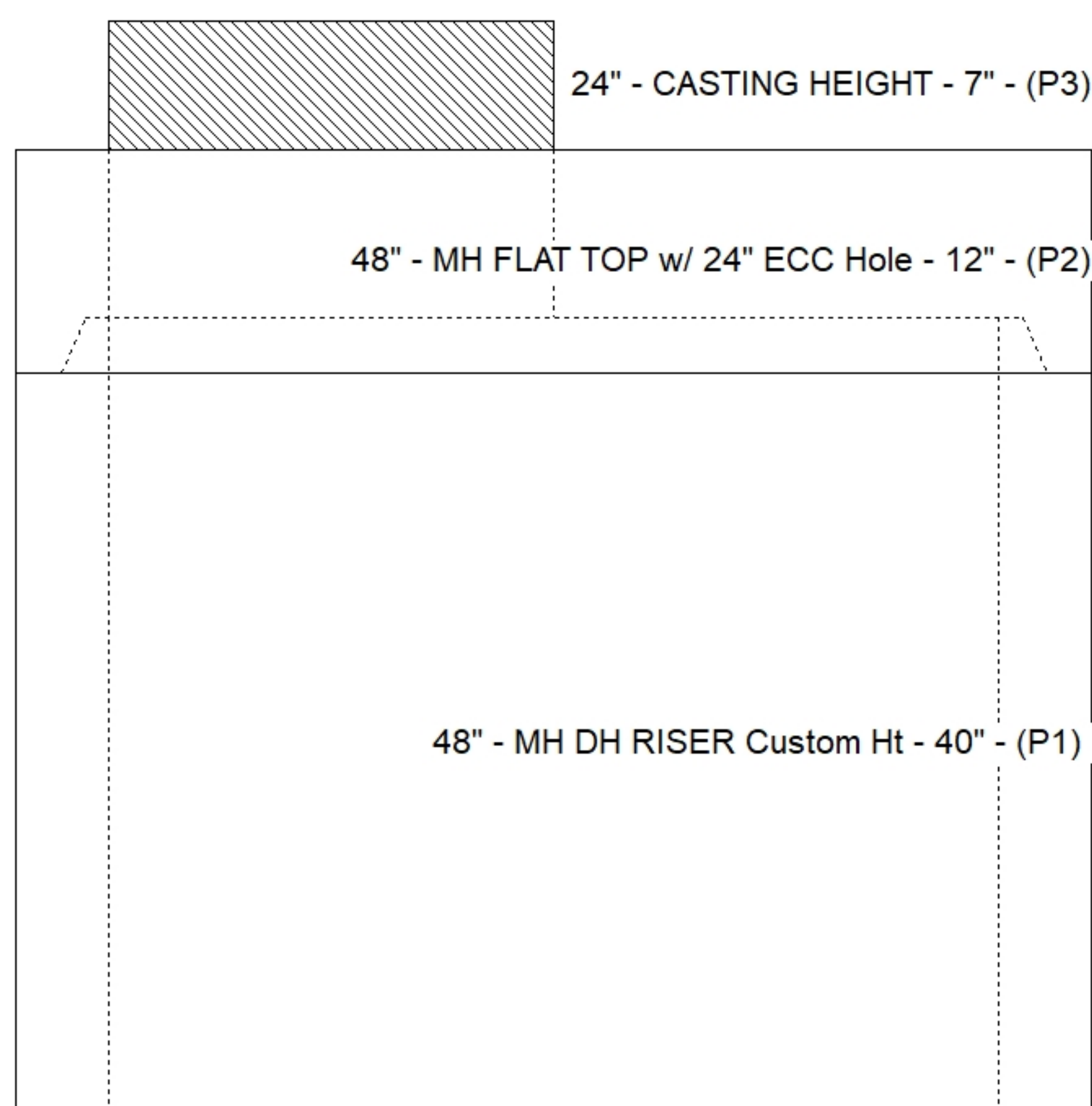
1. JR HOE MC-375 SANITARY BY ICAST
2. PER ASTM C478 SPECIFICATIONS.
3. CONCRETE = 4,000 PSI AT 28 DAYS.
4. REINFORCING PER ASTM A615 (GRADE 60).
 - TOP SLAB (As .62) #5 BARS AT 6" C.C.E.W..
 - RISER/WALLS (As .12)
 - FLOOR (As .31) #5 BARS AT 12" C.C.E.W.

STRUCTURE SUMMARY:

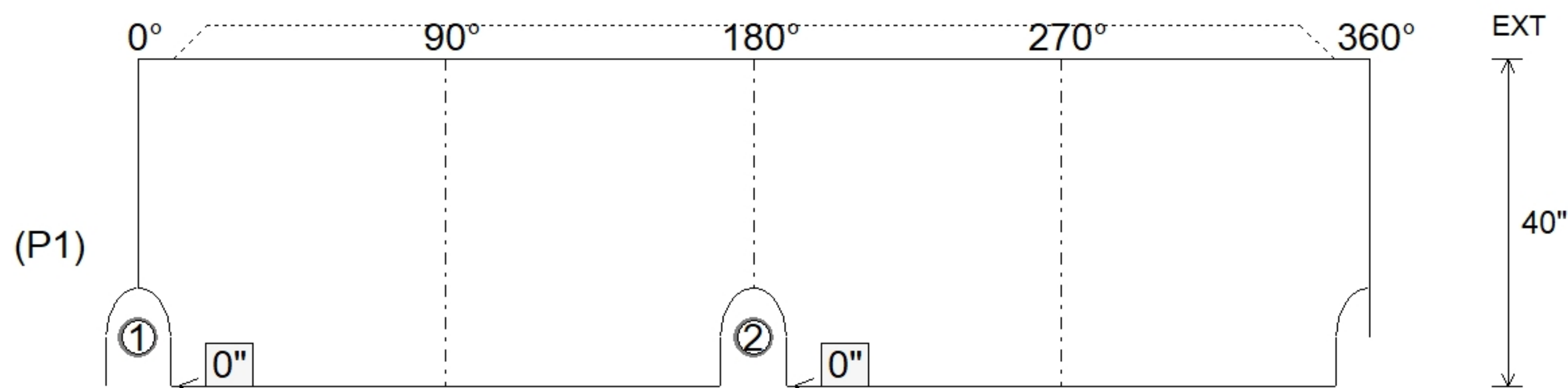
P3) 24" - CASTING HEIGHT - 7"	0 lb
P2) 48" - MH FLAT TOP w/ 24" ECC Hole - 12"	1561 lb
P1) 48" - MH DH RISER Custom Ht - 40"	2722 lb
1) JOINT WRAP - 0.065"x6"x50' CONSEAL CS212	0 lb
1) JOINT WRAP PRIMER - CONSEAL CS-75 (1 gal.)	0 lb
1) CASTING - HOE MC-375 F/C Sanitary	271 lb
1) 48" - Conseal CS-102 1.00" (Double)	0 lb
2) DOGHOUSE - 8"x12"	0 lb
3) MH Step ML-10-TDS-NCR - 10"	0 lb
Structure Total:	4554 lb



Position	Elev	Angle	Pipe	Pipe OD	Hole	Connector	Up (")	Ref
Rim	4.63'							
Reducer								
Invert 1	0'	0°	4" DI	4.75"	8" x 12"	DOGHOUSE 8"x12"	0"	P1
Invert 2	0'	180°	4" DI	4.75"	8" x 12"	DOGHOUSE 8"x12"	0"	P1
Invert 3								
Invert 4								
Invert 5								
Invert 6								
Invert 7								
Invert 8								



Default - Interior Dimensions



Submittal Drawing
 3/12/2026 10:11:40 AM

SUBMITTAL
 APPROVED BY: