

**Job Name: 25-1308 UPS BUILDING 1860**  
**Job Location: Louisville, KY**  
**Contractor: Hall Contracting of Kentucky Inc**

PC: J.Jarvis  
 TECH: C.Russ  
 Plant: Beaver Dam



Structure ID: **STMH 4**

Spec: Storm  
 Type: BX 8inW, 8inF  
 Size: 48" x 48"

Rim: 458.9'  
 Invert: 454'  
 Rim to Invert: 4.9'

Sump: 0"  
 Floor (Top): 454'  
 Floor Height: 8"

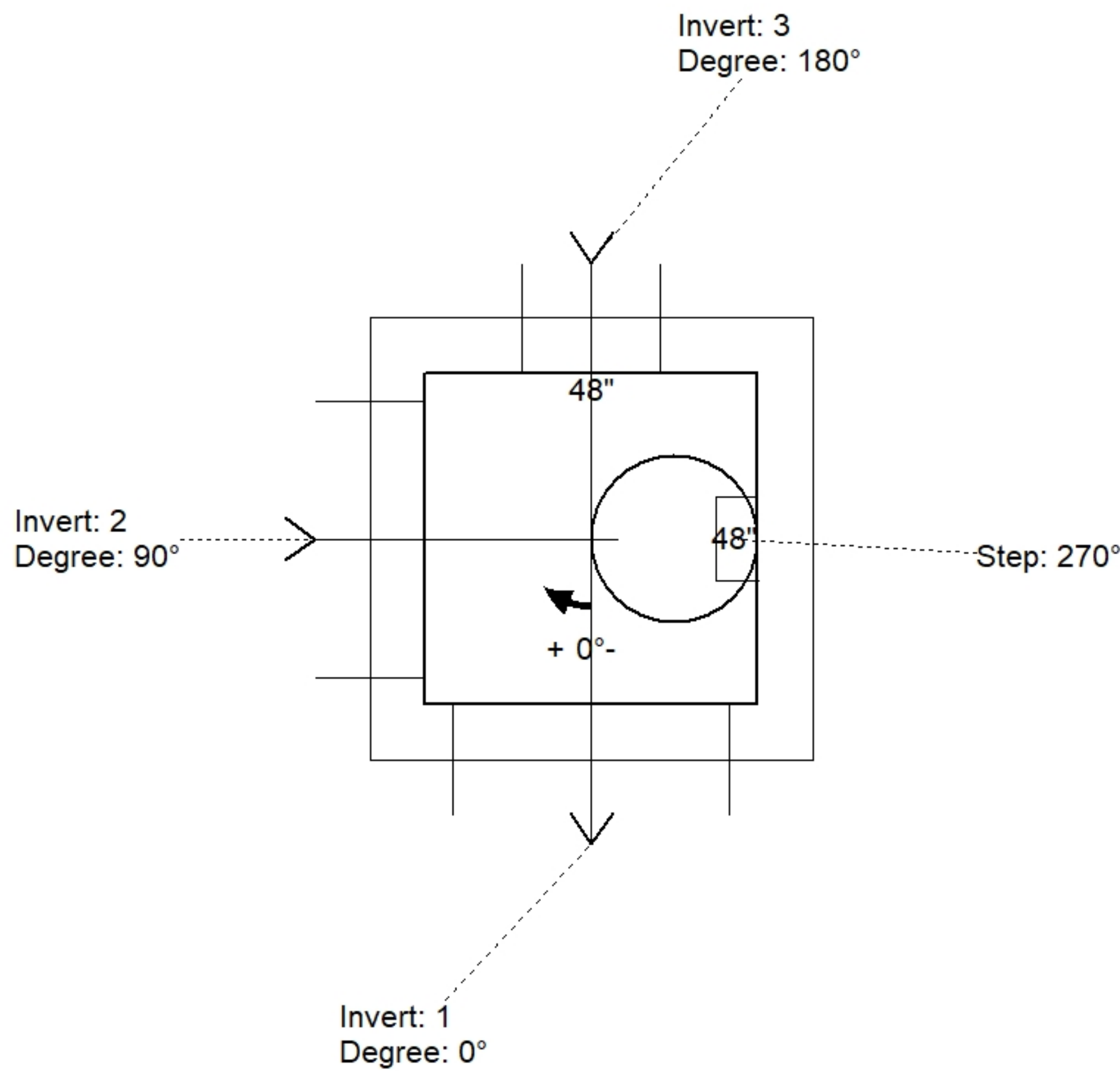
Floor (Bot): 453.333'  
 Overall Height: 5.5'  
 Slack: 0.8"

Structure Notes:

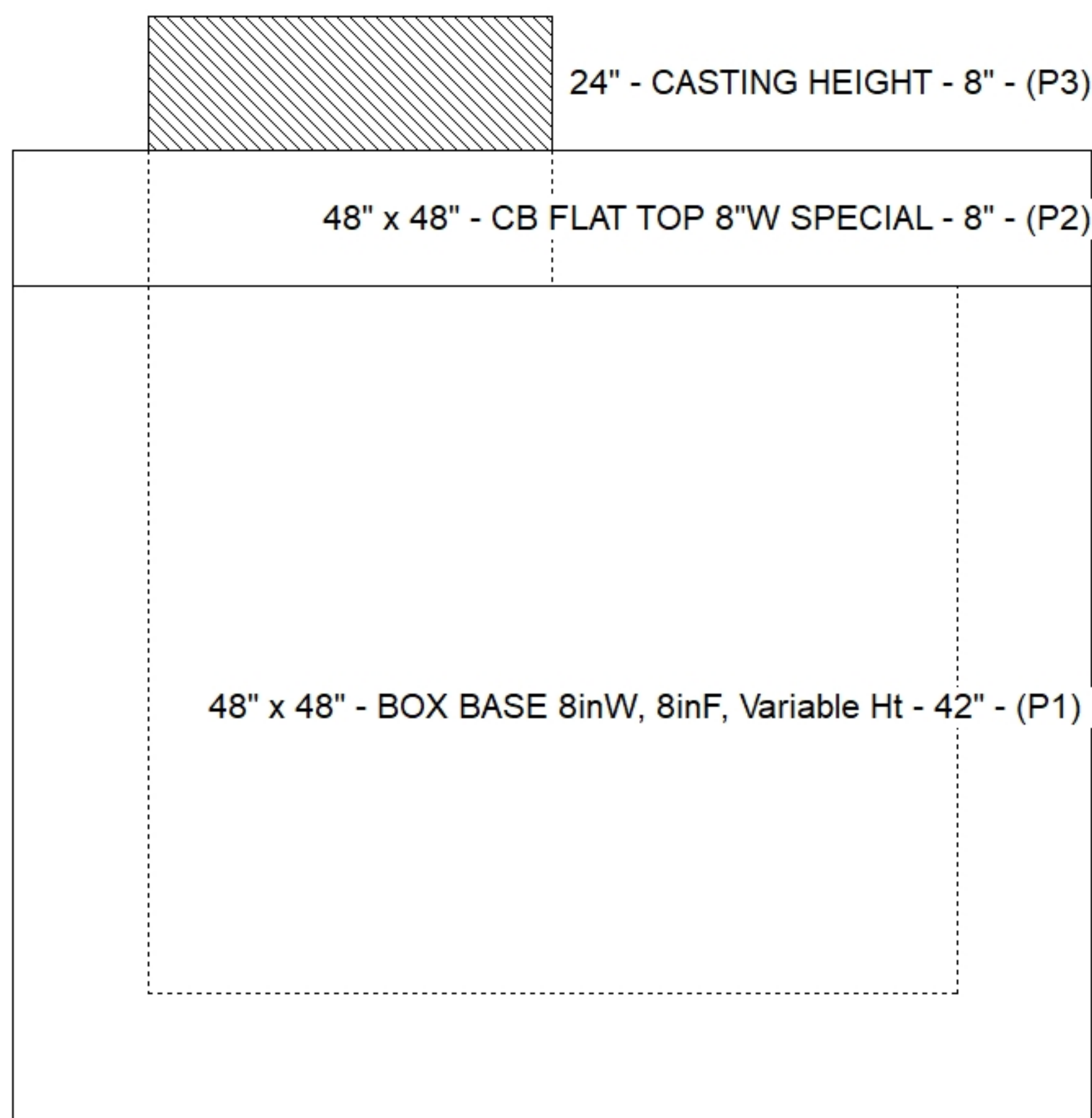
1. PER ASTM C913 SPECIFICATIONS.
2. CONCRETE = 4,000 PSI AT 28 DAYS.
3. NO INVERT CHANNEL.
4. HOE KY-510(TY2) PROVIDED BY ICAST.
5. REINFORCING PER ASTM A615 (GRADE 60).
  - TOP SLAB (As .62) #5 BARS AT 6" C.C.E.W.
  - WALLS (As .12) #5 BARS AT 12" C.C.E.W.
  - FLOOR (As .12) #5 BARS AT 12" C.C.E.W.

STRUCTURE SUMMARY:

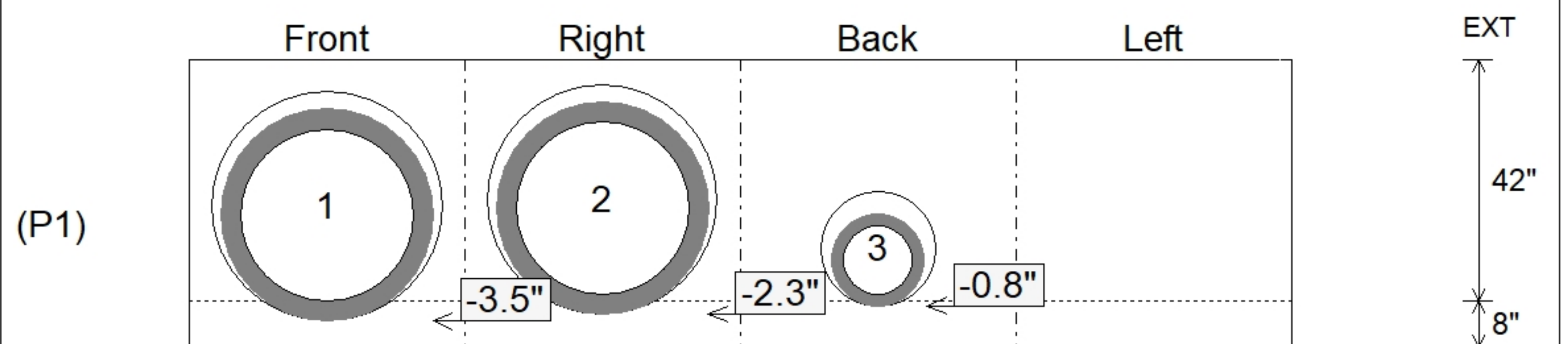
P3) 24" - CASTING HEIGHT - 8"	0 lb
P2) 48" x 48" - CB FLAT TOP 8"W SPECIAL - 8"	2446 lb
P1) 48" x 48" - BOX BASE 8inW, 8inF, Variable Ht - 42"	7167 lb
2) Hole - 40	0 lb
1) Hole - 20	0 lb
5) MH Step ML-10-TDS-NCR - 10"	0 lb
<b>Structure Total:</b>	<b>9613 lb</b>



Position	Elev	Angle	Pipe	Pipe OD	Hole	Connector	Up (")	Ref
Rim	458.9'							
Reducer								
Invert 1	454'	0°	30" RCP B WALL	37"	40"	Hole 40	-3.5"	P1
Invert 2	454.1'	90°	30" RCP B WALL	37"	40"	Hole 40	-2.3"	P1
Invert 3	454.1'	180°	12" RCP B WALL	16"	20"	Hole 20	-0.8"	P1
Invert 4								
Invert 5								
Invert 6								
Invert 7								
Invert 8								



**Default - Interior Dimensions**



Submittal Drawing  
 11/11/2025 11:28:29 AM

SUBMITTAL  
 APPROVED BY: