

Job Name: 25-1308 UPS BUILDING 1860
Job Location: Louisville, KY
Contractor: Hall Contracting of Kentucky Inc

PC: J.Jarvis
 TECH: C.Russ
 Plant: Beaver Dam



Structure ID: **STMH 3**

Spec: Storm
 Type: BX 8inW, 8inF
 Size: 48" x 48"

Rim: 458.7'
 Invert: 453.87'
 Rim to Invert: 4.83'

Sump: 0"
 Floor (Top): 453.87'
 Floor Height: 8"

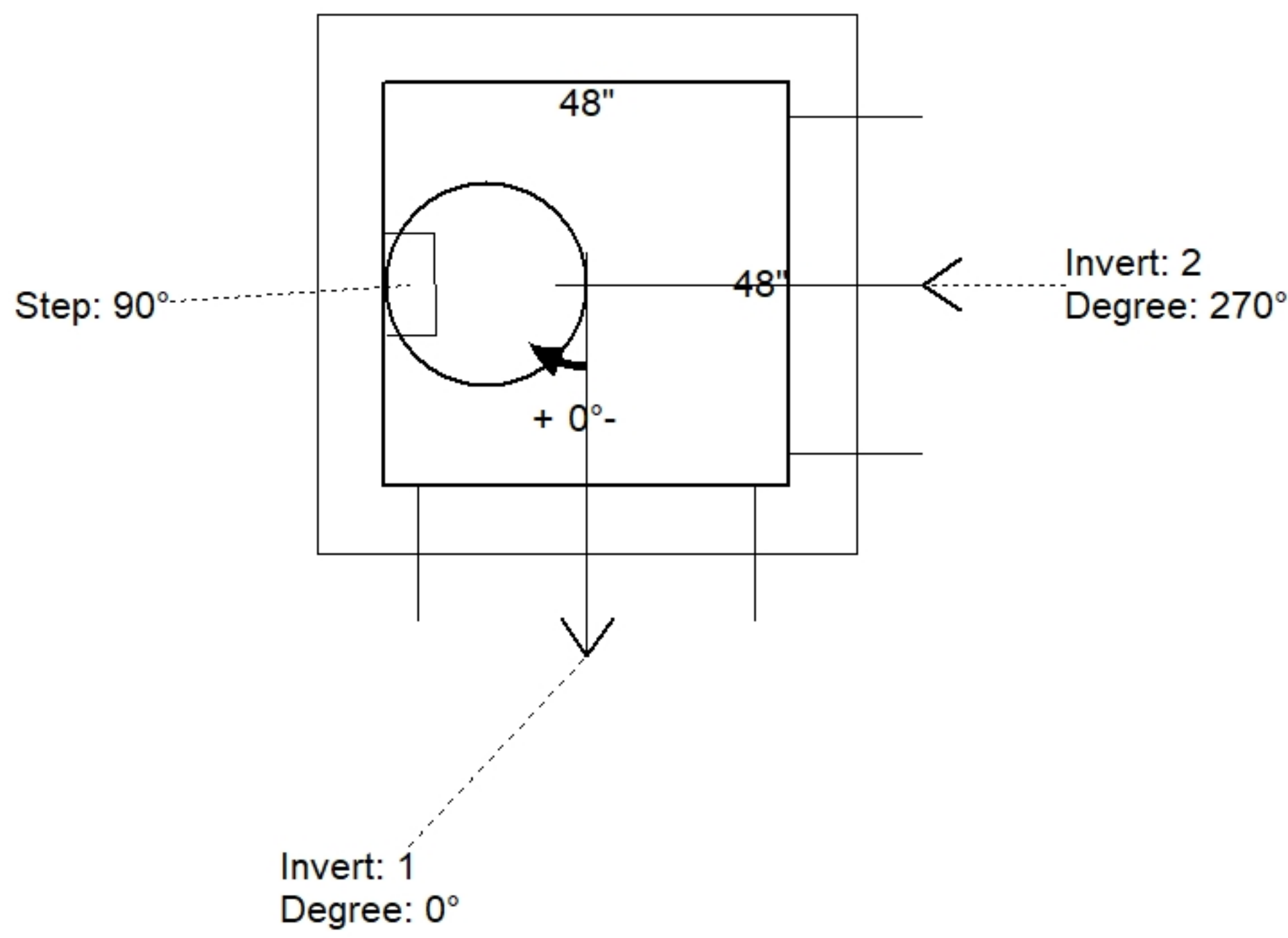
Floor (Bot): 453.203'
 Overall Height: 5.417'
 Slack: 0.96"

Structure Notes:

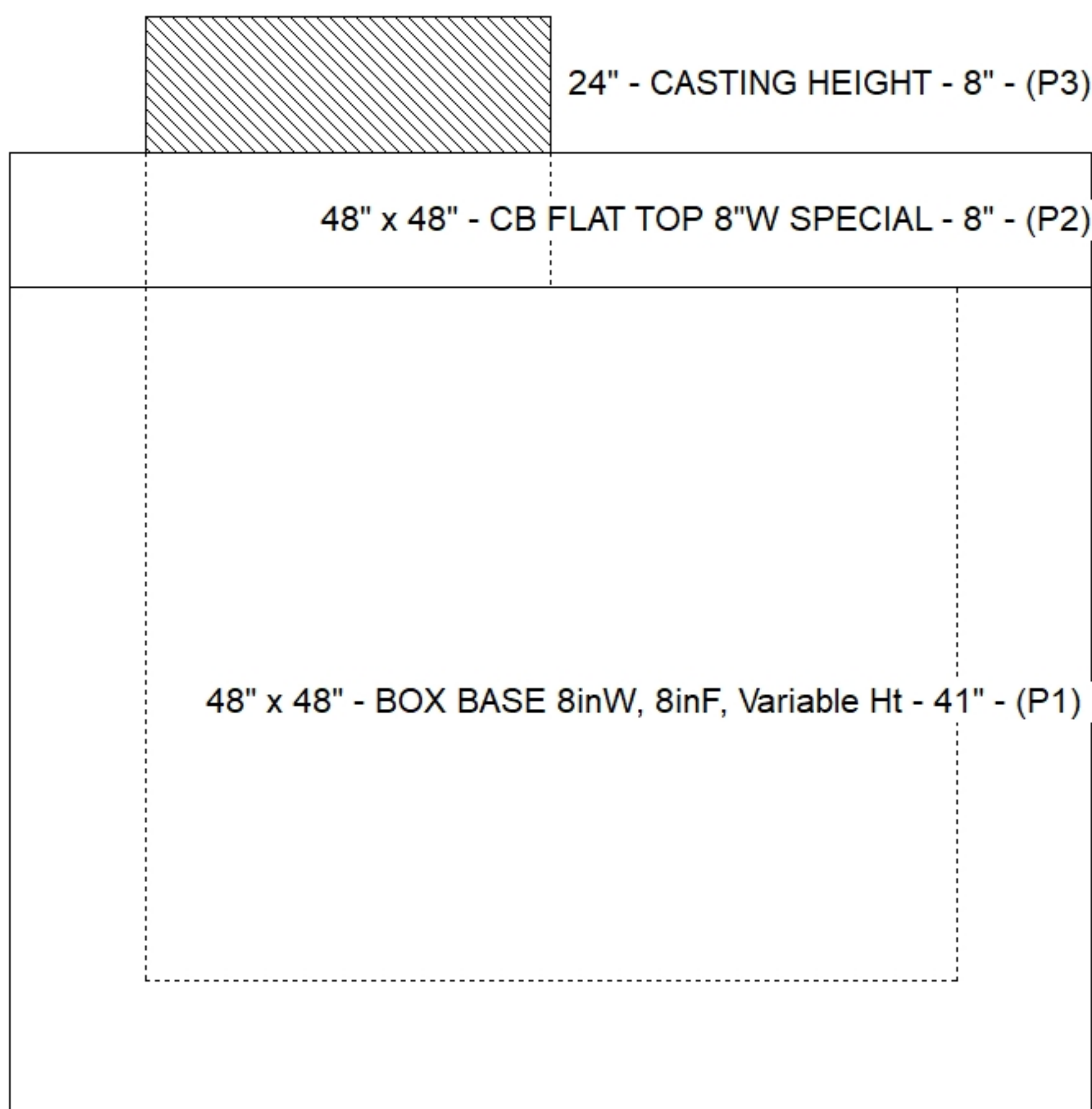
1. PER ASTM C913 SPECIFICATIONS.
2. CONCRETE = 4,000 PSI AT 28 DAYS.
3. NO INVERT CHANNEL.
4. HOE KY-510(TY2) PROVIDED BY ICAST.
5. REINFORCING PER ASTM A615 (GRADE 60).
 - TOP SLAB (As .62) #5 BARS AT 6" C.C.E.W.
 - WALLS (As .12) #5 BARS AT 12" C.C.E.W.
 - FLOOR (As .12) #5 BARS AT 12" C.C.E.W.

STRUCTURE SUMMARY:

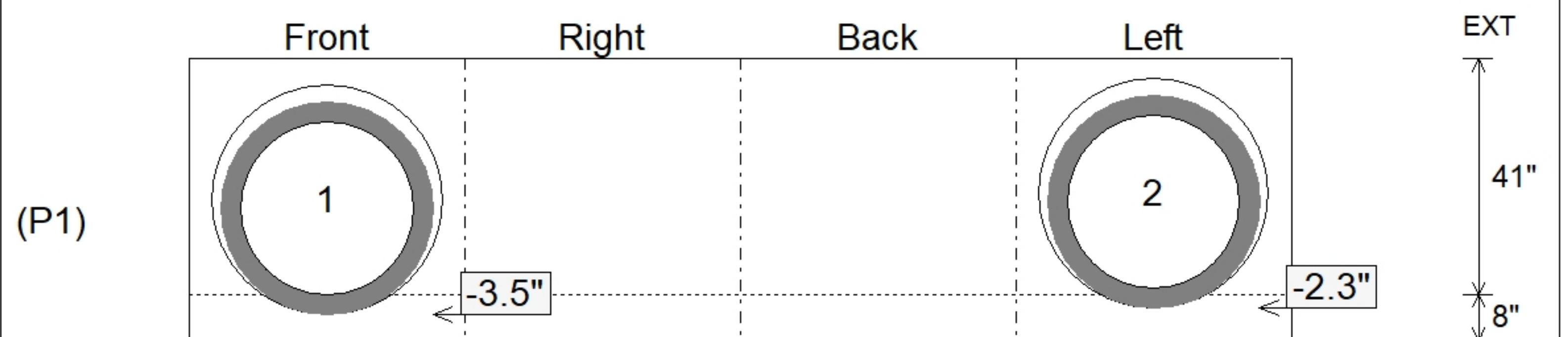
P3) 24" - CASTING HEIGHT - 8"	0 lb
P2) 48" x 48" - CB FLAT TOP 8"W SPECIAL - 8"	2446 lb
P1) 48" x 48" - BOX BASE 8inW, 8inF, Variable Ht - 41"	7228 lb
2) Hole - 40	0 lb
4) MH Step ML-10-TDS-NCR - 10"	0 lb
Structure Total:	9674 lb



Position	Elev	Angle	Pipe	Pipe OD	Hole	Connector	Up ()	Ref
Rim	458.7'							
Reducer								
Invert 1	453.87'	0°	30" RCP B WALL	37"	40"	Hole 40	-3.5"	P1
Invert 2	453.97'	270°	30" RCP B WALL	37"	40"	Hole 40	-2.3"	P1
Invert 3								
Invert 4								
Invert 5								
Invert 6								
Invert 7								
Invert 8								



Default - Interior Dimensions



Submittal Drawing
 11/11/2025 11:28:28 AM

SUBMITTAL
 APPROVED BY: