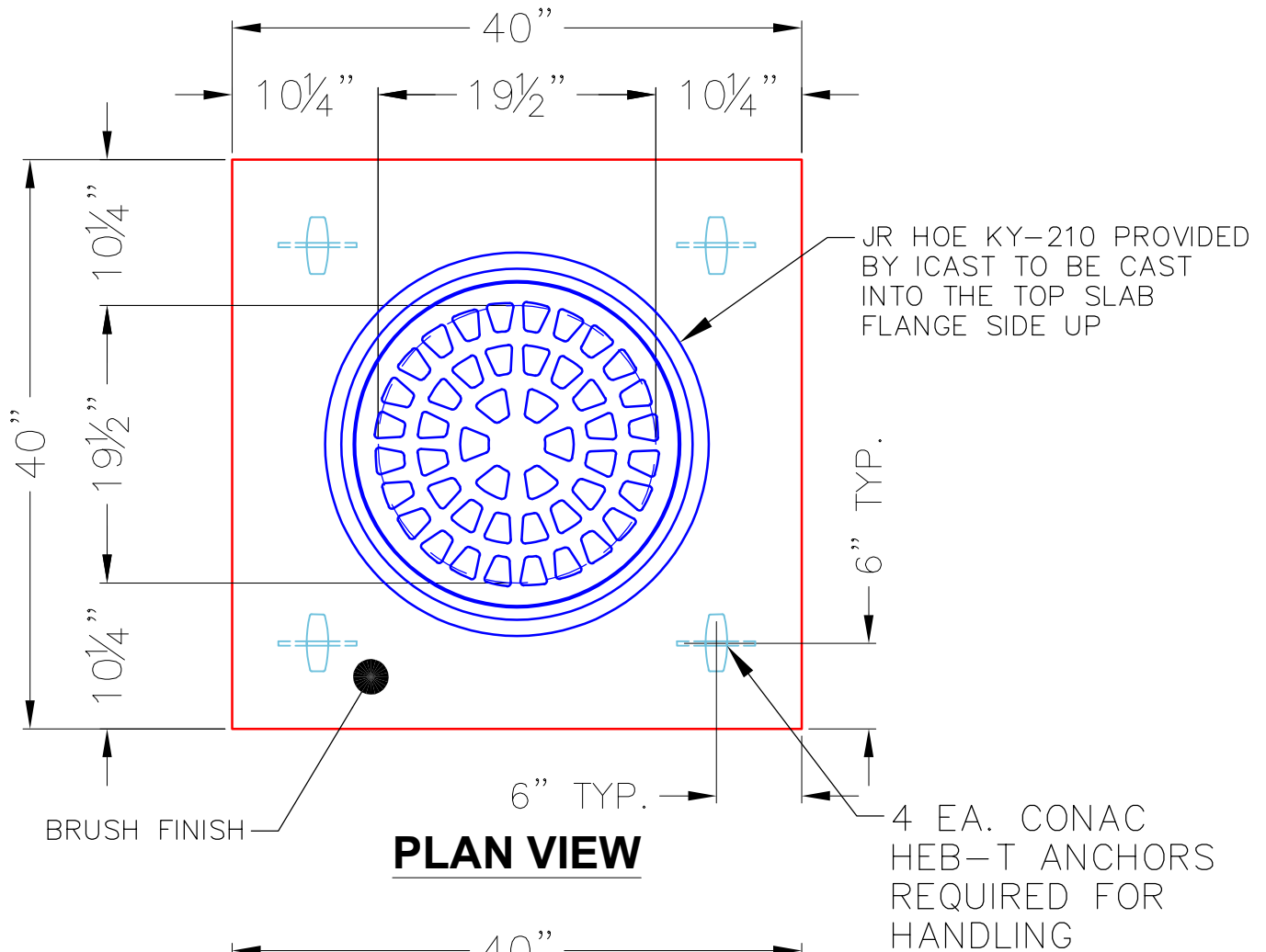


THIS DRAWING IS INTENDED TO BE PRINTED IN COLOR.




PLAN VIEW

TOP VIEW

NOTES:

1. MANUFACTURED TO ASTM C-913 (LATEST REVISION).
2. CONCRETE: 5,000 PSI AT 28 DAYS.
3. REINFORCING: #5 BAR @ 6" O.C. E.W. (GRADE 60).

PRODUCTION WORK ORDER		PRODUCT I.D.: BX024024-08LD08S	DESCRIPTION: 40" X 40" X 8" THK TOP SLAB W/ KY-210	
	QUALITY CONTROL CHECKLIST		PRODUCT VIEW: RIGHT SIDE UP	
	<input type="checkbox"/> ALL DIMENSIONS CORRECT. <input type="checkbox"/> LIFTERS INSTALLED. <input type="checkbox"/> HOLE LOCATION CORRECT. <input type="checkbox"/> REINFORCING CORRECT. <input type="checkbox"/> FINISH ON SLAB SURFACE UNIFORM. <input type="checkbox"/> OUTSIDE TOP EDGE TROWELLED. <input type="checkbox"/> GROOVE JOINT INSTALLED.		CUSTOMER: HALL CONTRACTING OF KENTUCKY INC.	
			PLANT: BEAVER DAM, KY.	
			PROJECT: UPS BUILDING 1860	
			STRUCTURE: DBI 18	
		WEIGHT: 770 LBS.		
		TOP SECTION JOINT: N/A		
		QUOTE/SALES ORDER NO: 25-1308		
		BASE SECTION JOINT: FLAT		
		PC: J. JARVIS		
		DRAWING: J. COPPAGE		
		QC CHECK INITIALS:		
		DATE: 11/10/25		
		SCALE: NTS		
		PG. 1 of 1		