

Job Name: 25-1308 UPS BUILDING 1860
Job Location: Louisville, KY
Contractor: Hall Contracting of Kentucky Inc

PC: J.Jarvis
 TECH: C.Russ
 Plant: Beaver Dam



Structure ID: DBI 12

Spec: Storm
 Type: BX 8inW, 8inF
 Size: 24" x 24"

Rim: 459'
 Invert: 455.48'
 Rim to Invert: 3.52'

Sump: 0"
 Floor (Top): 455.48'
 Floor Height: 8"

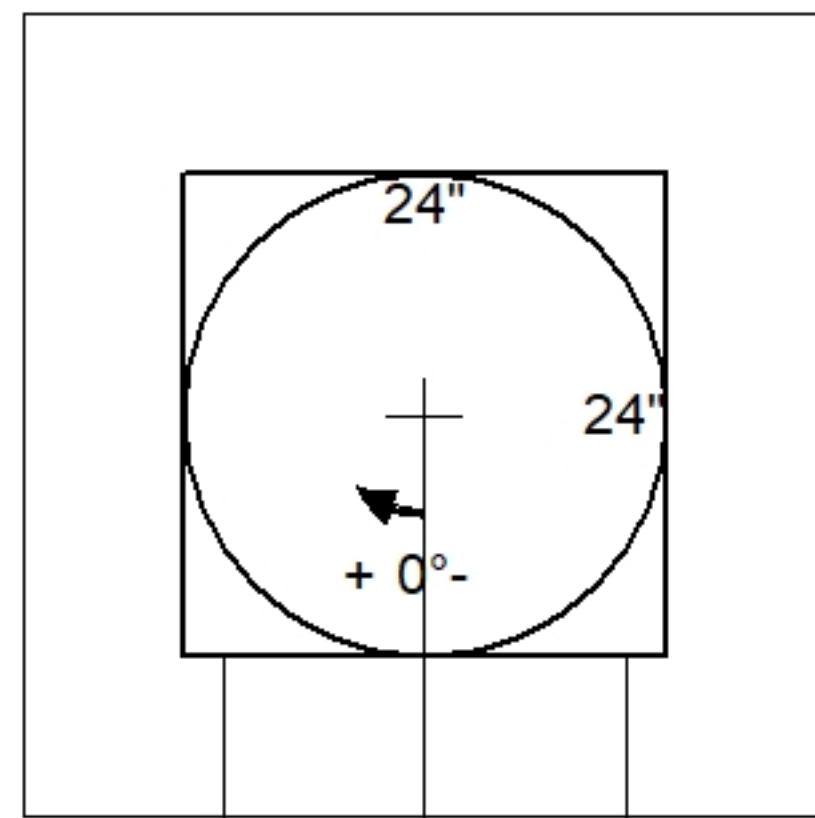
Floor (Bot): 454.813'
 Overall Height: 4.167'
 Slack: 0.24"

Structure Notes:

1. PER ASTM C913 SPECIFICATIONS.
2. CONCRETE = 4,000 PSI AT 28 DAYS.
3. NO INVERT CHANNEL.
4. HOE KY-210 (DBI 14) PROVIDED BY ICAST,
5. FRAME CAST-IN FLUSH INTO TOP SLAB.
6. REINFORCING PER ASTM A615 (GRADE 60).
 - TOP SLAB (As .62) #5 BARS AT 6" C.C.E.W.
 - WALLS (As .12) #5 BARS AT 12" C.C.E.W.
 - FLOOR (As .12) #5 BARS AT 12" C.C.E.W.

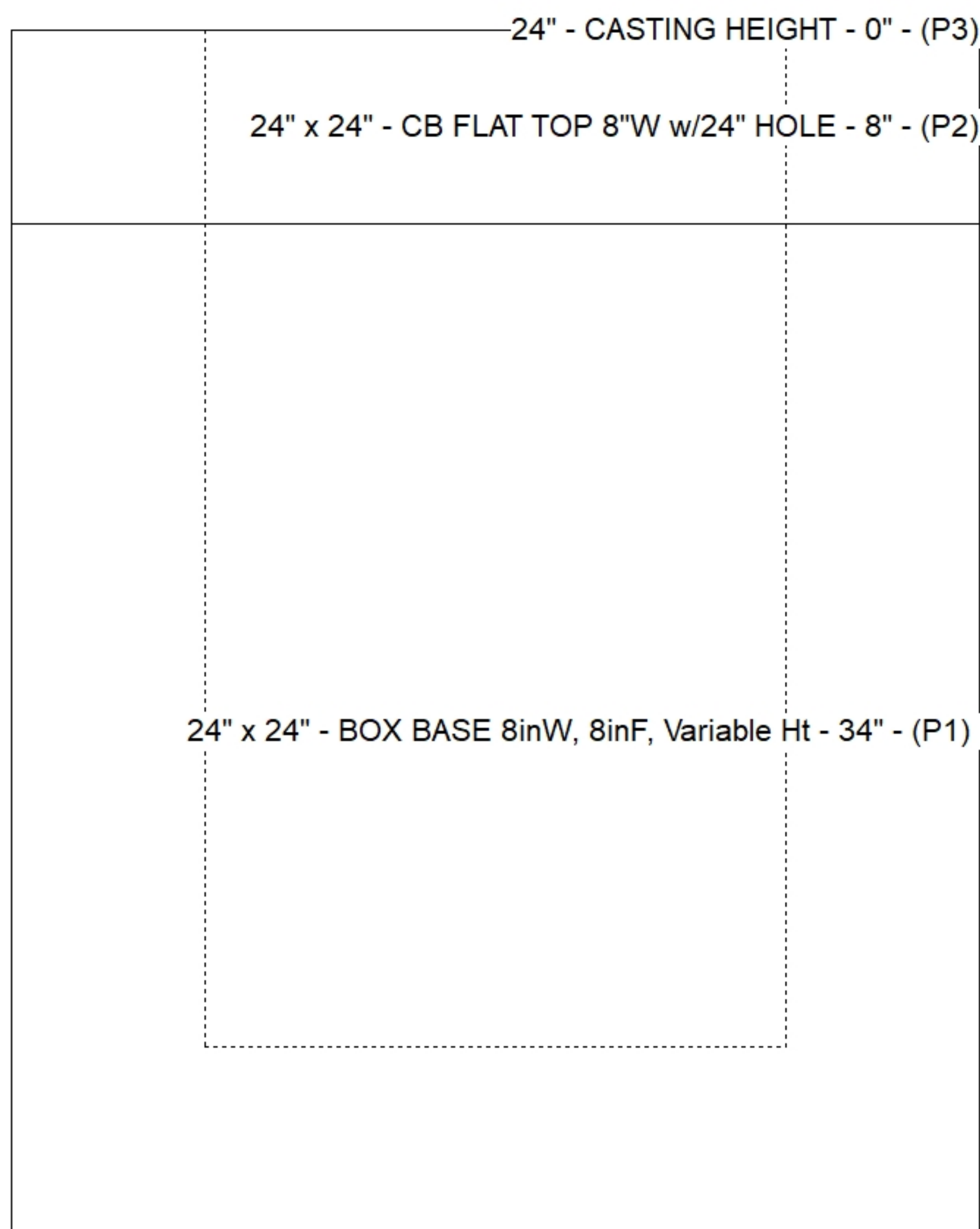
STRUCTURE SUMMARY:

P3) 24" - CASTING HEIGHT - 0"	0 lb
P2) 24" x 24" - CB FLAT TOP 8"W w/24" HOLE - 8"	770 lb
P1) 24" x 24" - BOX BASE 8inW, 8inF, Variable Ht - 34"	3785 lb
1) This Structure Includes a Cast-in Item	0 lb
1) 24" x 24" - SGL 1"x14.5' Butyl	0 lb
1) Hole - 20	0 lb
Structure Total:	4555 lb

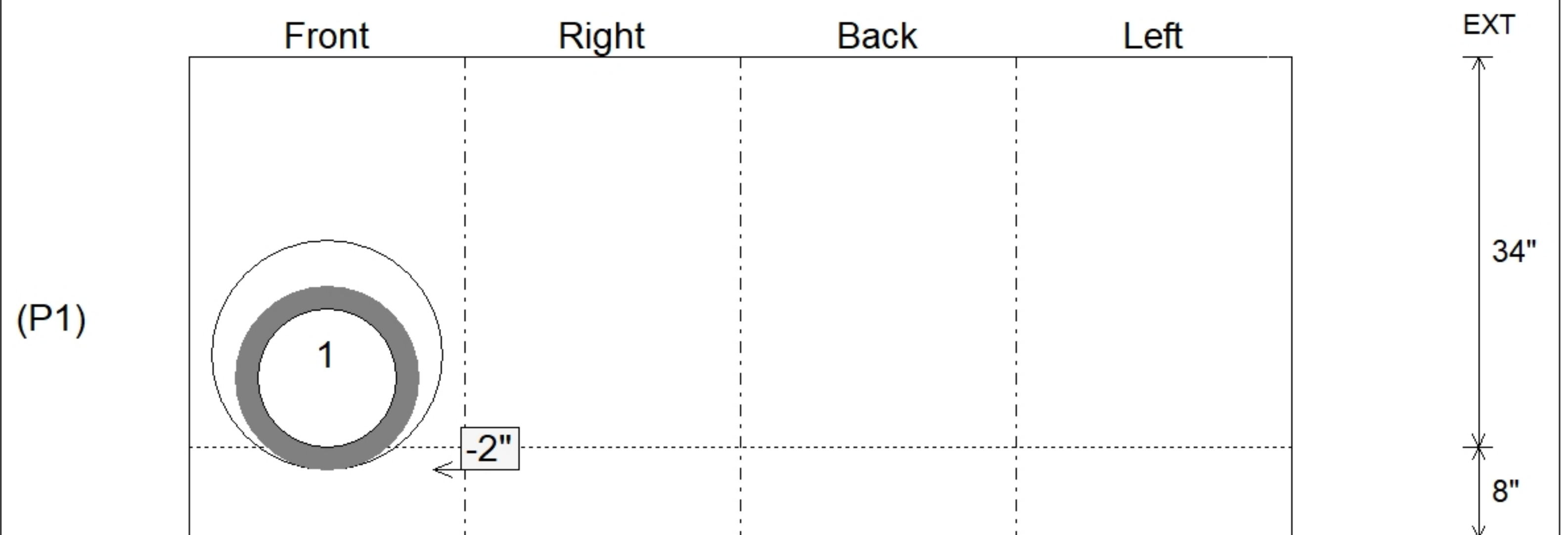


Invert: 1
 Degree: 0°

Position	Elev	Angle	Pipe	Pipe OD	Hole	Connector	Up ()	Ref
Rim	459'							
Reducer								
Invert 1	455.48'	0°	12" RCP B WALL	16"	20"	Hole 20	-2"	P1
Invert 2								
Invert 3								
Invert 4								
Invert 5								
Invert 6								
Invert 7								
Invert 8								



Default - Interior Dimensions



Submittal Drawing
 11/11/2025 11:28:29 AM

SUBMITTAL
 APPROVED BY: