

Job Name: 25-1308 UPS BUILDING 1860
 Job Location: Louisville, KY
 Contractor: Hall Contracting of Kentucky Inc

Plant: Beaver Dam

Tech: C.Russ

11/10/2025 10:30:00 AM

PC: J.Jarvis



Structure ID: 30"X12" RCP BLIND TEE 2

P1 BX4848-08BAVF

BOX BASE 8inW, 8inF, Variable Ht

- P3) CASTING HEIGHT - 0"
- P2) 48" x 48" - BX FLAT LID 8inW SOLID - 8"
- P1) 48" x 48" - BOX BASE 8inW, 8inF, Variable Ht - 41"
- 1) 48" x 48" - STORM INVERT CHANNEL (FLAT) - 4" THK
- 2) Hole - 40
- 1) Hole - 20
- 4) MH Step ML-10-TDS-NCR - 10"

- Structure Notes:
1. PER ASTM C478 SPECIFICATIONS.
 2. CONCRETE = 4,000 PSI AT 28 DAYS.
 3. NO CASTING.
 4. REINFORCING PER ASTM A615 (GRADE 60).
 - TOP SLAB (As .62) #5 BARS AT 6" C.C.E.W..
 - RISER/WALLS (As .18)
 - FLOOR (As .37) #5 BARS AT 10" C.C.E.W.

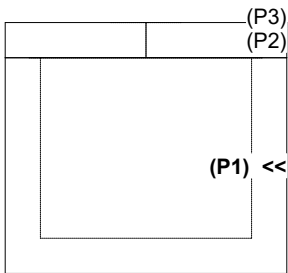
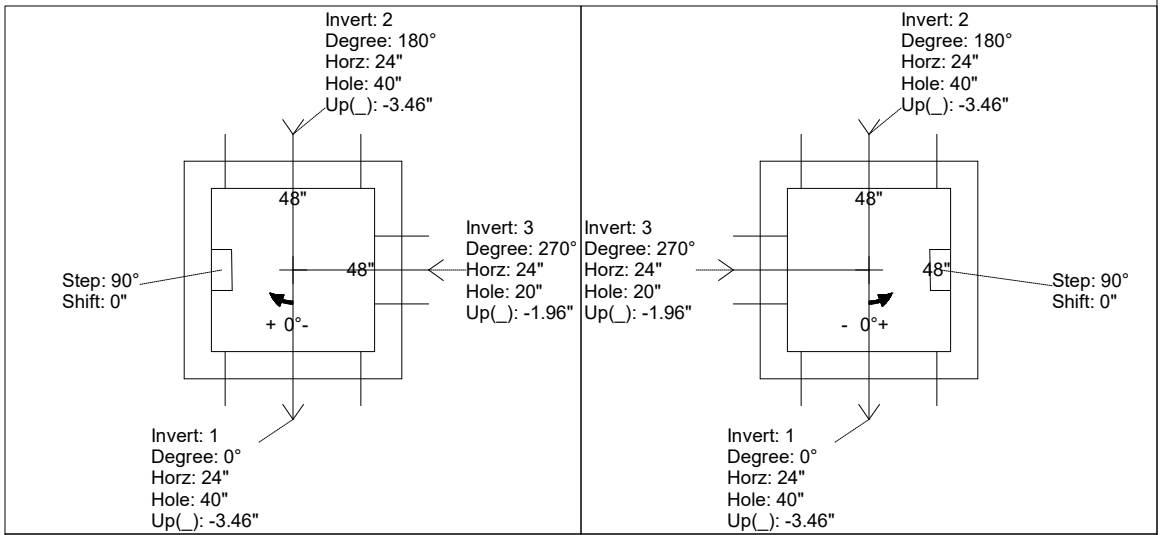
Structure Total: 10225 lb

Rim: 4.08' Rim to Invert: 4.08' Slack: 0" Sump: 0.04" Step Position: 90°

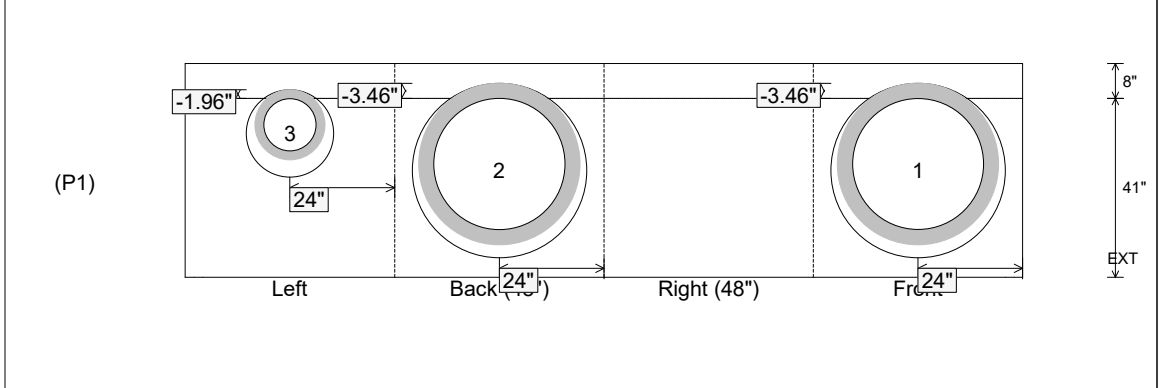
| Position | Elev | Angle | Ext. (cw) | Pipe | Pipe OD | Connector | Hole | Horz Size | Up () | Offset |
|----------|------|-------|-----------|----------------|---------|-----------|------|-----------|--------|--------|
| Invert 1 | 0' | 0° | 32" | 30" RCP B WALL | 37" | Hole 40 | 40" | 40" | -3.46" | 0" |
| Invert 2 | 0' | 180° | 32" | 30" RCP B WALL | 37" | Hole 40 | 40" | 40" | -3.46" | 0" |
| Invert 3 | 0' | 270° | 32" | 12" RCP B WALL | 16" | Hole 20 | 20" | 20" | -1.96" | 0" |
| Invert 4 | | | | | | | | | | |
| Invert 5 | | | | | | | | | | |
| Invert 6 | | | | | | | | | | |
| Invert 7 | | | | | | | | | | |
| Invert 8 | | | | | | | | | | |

RIGHT-SIDE UP VIEW (int. dimensions)

UPSIDE-DOWN VIEW (int. dimensions)



INSIDE WALL DIMENSIONS



| | | | | |
|----------------------------------|-------------------------------|--|--|--|
| Coating (Int): Coating (Ext): | Seam Up: Flat Seam Dn: n/a | Wall Thickness: 8" Floor Height: 8" | Height (Int): 41" Height (Ext): 49" | Weight (Net): 7017 lb Volume (Net): 1.79cu.yd |
|----------------------------------|-------------------------------|--|--|--|

Job Name: 25-1308 UPS BUILDING 1860
 Job Location: Louisville, KY
 Contractor: Hall Contracting of Kentucky Inc

Plant: Beaver Dam

Tech: C.Russ

11/10/2025 10:30:00 AM

PC: J.Jarvis



Structure ID: 30"X12" RCP BLIND TEE 2

P1 BX4848-08BAVF

BOX BASE 8inW, 8inF, Variable Ht

- P3) CASTING HEIGHT - 0"
- P2) 48" x 48" - BX FLAT LID 8inW SOLID - 8"
- P1) 48" x 48" - BOX BASE 8inW, 8inF, Variable Ht - 41"
- 1) 48" x 48" - STORM INVERT CHANNEL (FLAT) - 4" THK
- 2) Hole - 40
- 1) Hole - 20
- 4) MH Step ML-10-TDS-NCR - 10"

- Structure Notes:
1. PER ASTM C478 SPECIFICATIONS.
 2. CONCRETE = 4,000 PSI AT 28 DAYS.
 3. NO CASTING.
 4. REINFORCING PER ASTM A615 (GRADE 60).
 - TOP SLAB (As .62) #5 BARS AT 6" C.C.E.W..
 - RISER/WALLS (As .18)
 - FLOOR (As .37) #5 BARS AT 10" C.C.E.W.

Structure Total: 10225 lb

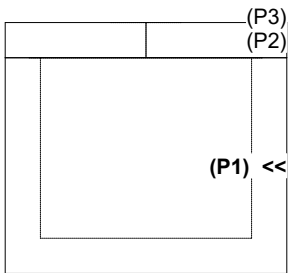
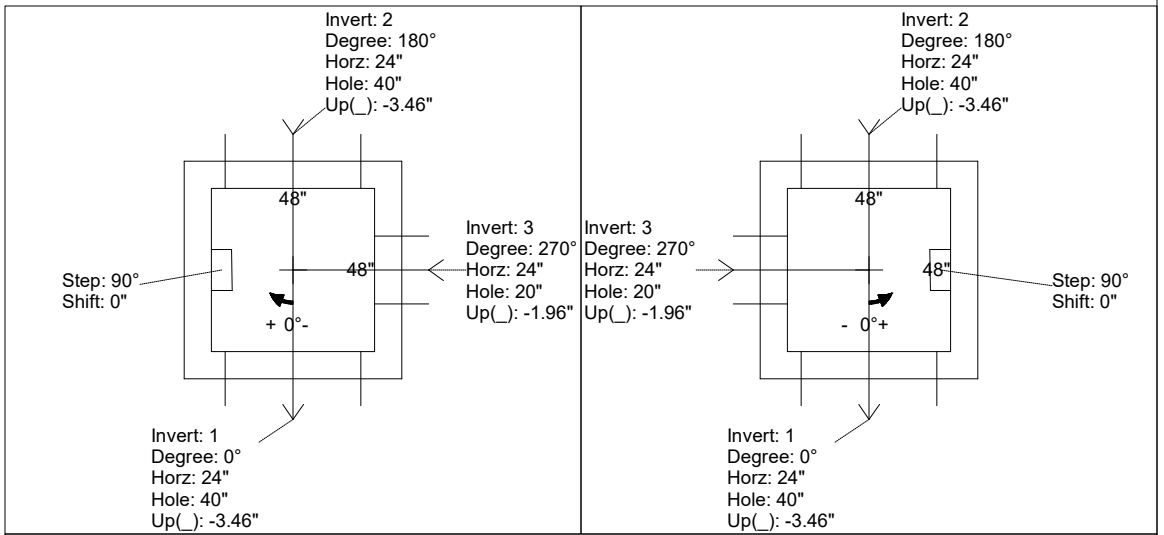
**STORM INVERT CHANNEL DRAWING
4" HEIGHT INVERT**

Rim: 4.08' Rim to Invert: 4.08' Slack: 0" Sump: 0.04" Step Position: 90°

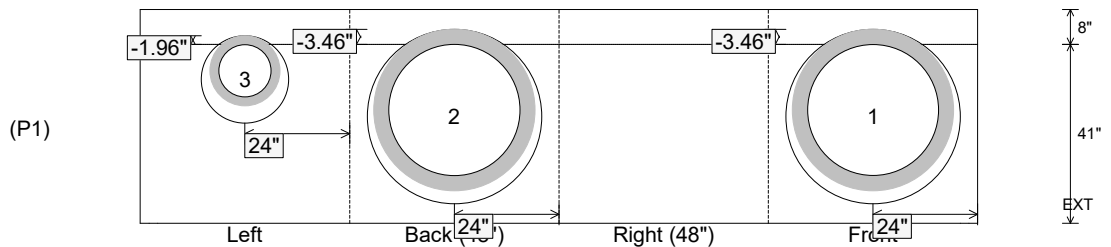
| Position | Elev | Angle | Ext. (cw) | Pipe | Pipe OD | Connector | Hole | Horz Size | Up () | Offset |
|----------|------|-------|-----------|----------------|---------|-----------|------|-----------|--------|--------|
| Invert 1 | 0' | 0° | 32" | 30" RCP B WALL | 37" | Hole 40 | 40" | 40" | -3.46" | 0" |
| Invert 2 | 0' | 180° | 32" | 30" RCP B WALL | 37" | Hole 40 | 40" | 40" | -3.46" | 0" |
| Invert 3 | 0' | 270° | 32" | 12" RCP B WALL | 16" | Hole 20 | 20" | 20" | -1.96" | 0" |
| Invert 4 | | | | | | | | | | |
| Invert 5 | | | | | | | | | | |
| Invert 6 | | | | | | | | | | |
| Invert 7 | | | | | | | | | | |
| Invert 8 | | | | | | | | | | |

RIGHT-SIDE UP VIEW (int. dimensions)

UPSIDE-DOWN VIEW (int. dimensions)



INSIDE WALL DIMENSIONS



Coating (Int):
Coating (Ext):

Seam Up: Flat
Seam Dn: n/a

Wall Thickness: 8"
Floor Height: 8"

Height (Int): 41"
Height (Ext): 49"

Weight (Net): 7017 lb
Volume (Net): 1.79cu.yd