

Job Name: 25-1303D - The Oaks 4 (Cluster) Sanitary  
 Job Location: Clarksville, TN 37040  
 Contractor: Byard Construction, LLC

Plant: Beaver Dam, KY

Tech: J. Horsley

2/11/2026 9:22:43 AM

PC: J. Jarvis



**Structure ID: SSMH D-1 (1)**

**P1 MH048BA24CDARED**

**MH BASE w/ConBlock-CDA Red T/n**

- P3) 24" - CASTING HEIGHT - 7"
- P2) 48" - ECC CONE w/ 24" HOLE, w/ConBlock-CDA Red F/G - 30"
- P1) 48" - MH BASE w/ConBlock-CDA Red T/n - 24"
- 1) JOINT WRAP PRIMER - CONSEAL CS-75 (1 gal.)
- 1) JOINT WRAP - 0.065"x6"x50" CONSEAL CS212
- 1) 48" - SAN. INV. CHANNEL w/ConBlock-CDA Red - FULL HEIGHT
- 1) ADMIXTURE CONBLOCK CDA RED
- 1) CASTING - JBS 1150 F/C SANITARY
- 1) 48" - Conseal CS-102 1.00" (Double)
- 2) PSX - 12-08 NYLO
- 5) MH Step ML-10-TDS-NCR - 10"

0 lb  
 1961 lb  
 2911 lb  
 0 lb  
 0 lb  
 1440 lb  
 0 lb  
 250 lb  
 0 lb  
 16 lb  
 0 lb  
 \_\_\_\_\_  
 Structure Total: 6578 lb

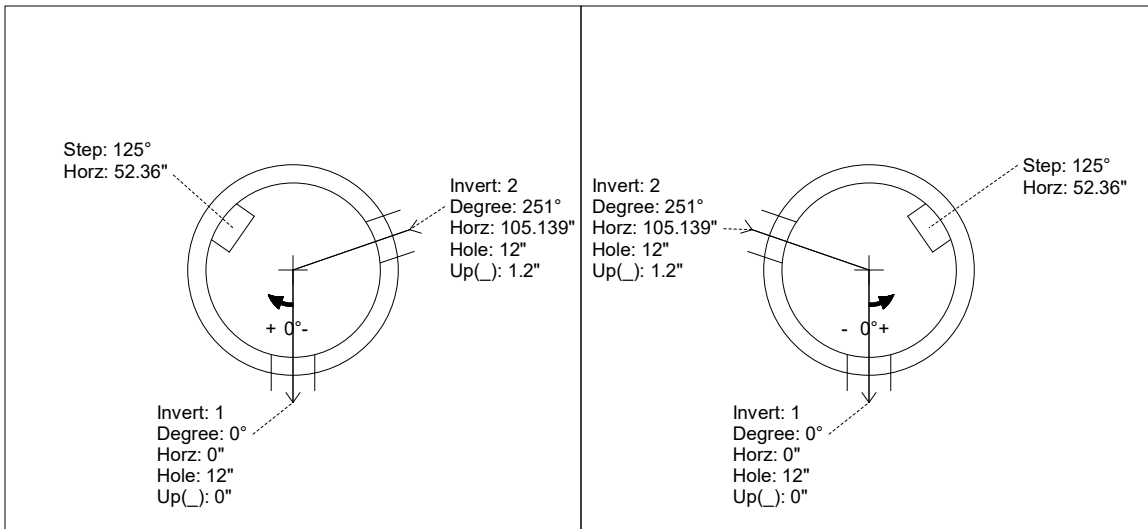
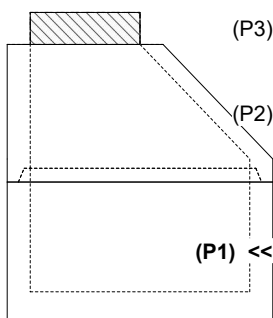
- Structure Notes:
1. PER ASTM C-478 SPECS
  2. CONCRETE: 5,000 PSI AT 28 DAYS
  3. REINFORCEMENT: PER ASTM A615
  4. INVERT CHANNEL REQUIRED
  5. CONBLOCK CDA RED ADMIXTURE REQUIRED
  6. JBS 1150 FRAME & COVER "SANITARY" SUPPLIED BY ICAST
  7. STEPS AT 125 DEGREES

Rim: 530.25' Rim to Invert: 5.02' Slack: 1.24" Sump: 2" Step Position: 125°

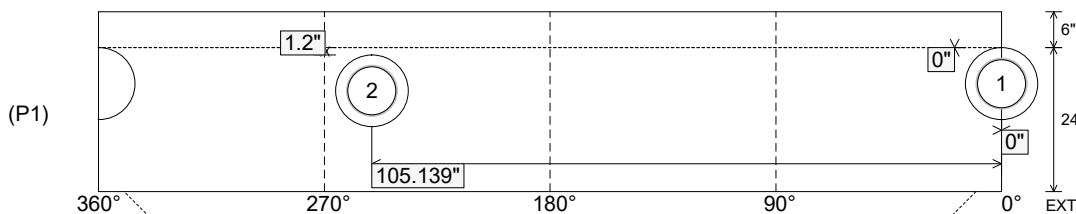
| Position | Elev    | Angle | Ext. (cw) | Pipe         | Pipe OD | Connector      | Hole | Horz Size | Up ( ) | Offset |
|----------|---------|-------|-----------|--------------|---------|----------------|------|-----------|--------|--------|
| Invert 1 | 525.23' | 0°    | 0"        | 8" PVC SDR35 | 8.5"    | PSX 12-08 NYLO | 12"  | 12.129"   | 0"     | 0"     |
| Invert 2 | 525.33' | 251°  | 127.043"  | 8" PVC SDR35 | 8.5"    | PSX 12-08 NYLO | 12"  | 12.129"   | 1.2"   | 0"     |
| Invert 3 |         |       |           |              |         |                |      |           |        |        |
| Invert 4 |         |       |           |              |         |                |      |           |        |        |
| Invert 5 |         |       |           |              |         |                |      |           |        |        |
| Invert 6 |         |       |           |              |         |                |      |           |        |        |
| Invert 7 |         |       |           |              |         |                |      |           |        |        |
| Invert 8 |         |       |           |              |         |                |      |           |        |        |

RIGHT-SIDE UP VIEW (int. dimensions)

UPSIDE-DOWN VIEW (int. dimensions)



INSIDE WALL DIMENSIONS



Coating (Int):  
 Coating (Ext):

Seam Up: Tongue  
 Seam Dn: n/a

Wall Thickness: 5"  
 Floor Height: 6"

Height (Int): 24"  
 Height (Ext): 30"

Weight (Net): 2911 lb  
 Volume (Net): 0.74cu.yd

**Structure ID: SSMH D-1 (1)**

**P1 MH048BA24CDARED**

**MH BASE w/ConBlock-CDA Red T/n**

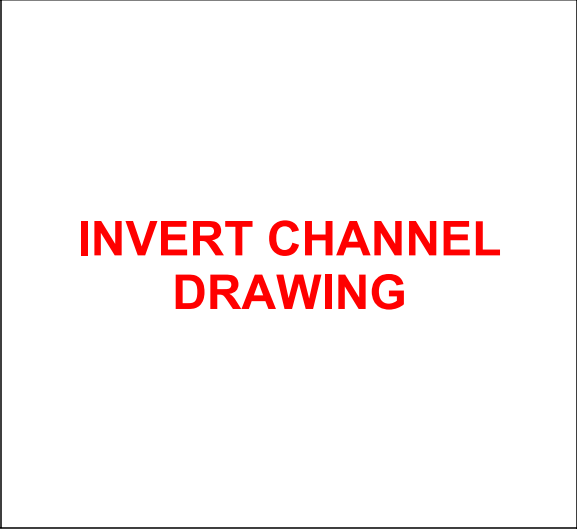
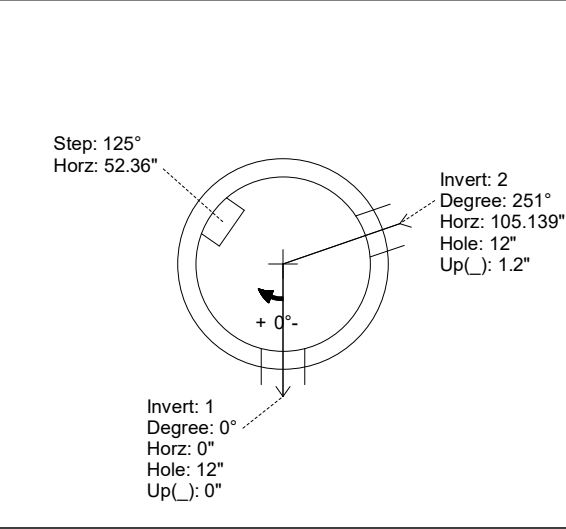
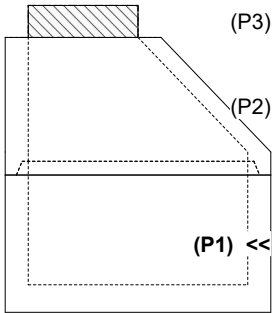
- |  |   |
|--|---|
| P3) 24" - CASTING HEIGHT - 7"<br>P2) 48" - ECC CONE w/ 24" HOLE, w/ConBlock-CDA Red F/G - 30"<br>P1) 48" - MH BASE w/ConBlock-CDA Red T/n - 24"<br>1) JOINT WRAP PRIMER - CONSEAL CS-75 (1 gal.)<br>1) JOINT WRAP - 0.065"x6"x50" CONSEAL CS212<br>1) 48" - SAN. INV. CHANNEL w/ConBlock-CDA Red - FULL HEIGHT<br>1) ADMIXTURE CONBLOCK CDA RED<br>1) CASTING - JBS 1150 F/C SANITARY<br>1) 48" - Conseal CS-102 1.00" (Double)<br>2) PSX - 12-08 NYLO<br>5) MH Step ML-10-TDS-NCR - 10" | 0 lb<br>1961 lb<br>2911 lb<br>0 lb<br>0 lb<br>1440 lb<br>0 lb<br>250 lb<br>0 lb<br>16 lb<br>0 lb<br>-----<br>Structure Total: 6578 lb |
|--|---|

- Structure Notes:
1. PER ASTM C-478 SPECS
  2. CONCRETE: 5,000 PSI AT 28 DAYS
  3. REINFORCEMENT: PER ASTM A615
  4. INVERT CHANNEL REQUIRED
  5. CONBLOCK CDA RED ADMIXTURE REQUIRED
  6. JBS 1150 FRAME & COVER "SANITARY" SUPPLIED BY ICAST
  7. STEPS AT 125 DEGREES

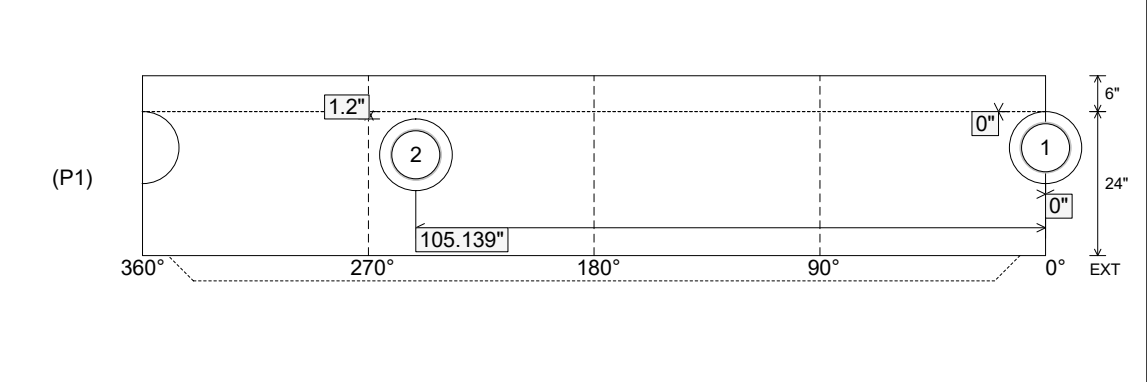
Rim: 530.25'    Rim to Invert: 5.02'    Slack: 1.24"    Sump: 2"    Step Position: 125°

| Position | Elev    | Angle | Ext. (cw) | Pipe         | Pipe OD | Connector      | Hole | Horz Size | Up ( ) | Offset |
|----------|---------|-------|-----------|--------------|---------|----------------|------|-----------|--------|--------|
| Invert 1 | 525.23' | 0°    | 0"        | 8" PVC SDR35 | 8.5"    | PSX 12-08 NYLO | 12"  | 12.129"   | 0"     | 0"     |
| Invert 2 | 525.33' | 251°  | 127.043"  | 8" PVC SDR35 | 8.5"    | PSX 12-08 NYLO | 12"  | 12.129"   | 1.2"   | 0"     |
| Invert 3 |         |       |           |              |         |                |      |           |        |        |
| Invert 4 |         |       |           |              |         |                |      |           |        |        |
| Invert 5 |         |       |           |              |         |                |      |           |        |        |
| Invert 6 |         |       |           |              |         |                |      |           |        |        |
| Invert 7 |         |       |           |              |         |                |      |           |        |        |
| Invert 8 |         |       |           |              |         |                |      |           |        |        |

RIGHT-SIDE UP VIEW (int. dimensions) UPSIDE-DOWN VIEW (int. dimenions)



INSIDE WALL DIMENSIONS



|                                  |                                 |  |  |  |
|----------------------------------|---------------------------------|--|--|--|
| Coating (Int):<br>Coating (Ext): | Seam Up: Tongue<br>Seam Dn: n/a | Wall Thickness: 5"<br>Floor Height: 6" | Height (Int): 24"<br>Height (Ext): 30" | Weight (Net): 2911 lb<br>Volume (Net): 0.74cu.yd |
|----------------------------------|---------------------------------|--|--|--|