

Job Name: 25-1267B Grocery Owensboro KY
 Job Location: Owensboro, KY
 Contractor: Winwater Hartford KY Co.

Plant: Beaver Dam

Tech: J. Coppage

9/24/2025 12:51:09 PM

PC: A. Chambers



Structure ID: OCS-C2

P1 BX4848-08W10FEBAV

BX BASE w/FLANGE 08W/10F/12EF

- P2) 48" x 48" - BX MONO 8"W/6"T SPECIAL - 37"
- P1) 48" x 48" - BX BASE w/FLANGE 08W/10F/12EF - 42"
- 1) 48" x 48" - SGL 1"x14.5' Butyl (2x)
- 1) Hole - 26
- 1) Hole - 10
- 4) Weir - 48"x6"
- 8) MH Step ML-10-TDS-NCR - 10"

7046 lb
 12405 lb
 0 lb
 0 lb
 0 lb
 0 lb
 0 lb

 19450 lb

- Structure Notes:**
1. JR HOE MCS-288 STORM PROVIDED BY ICAST.
 2. PER ASTM C913 SPECIFICATIONS.
 3. CONCRETE = 4,000 PSI AT 28 DAYS.
 4. REINFORCING PER ASTM A615 (GRADE 60).
 - TOP SLAB (As .62) #4 BARS AT 4" C.C.E.W..
 - WALLS (As .31) #5 BARS AT 12" C.C.E.W..
 - FLOOR (As .31) #5 BARS AT 12" C.C.E.W..
 5. (30" DIA. HALF-ROUND PERF. CMP W/ LID TO BE SUPPLIED BY OTHERS)

Structure Total:

SECOND POUR DRAWING

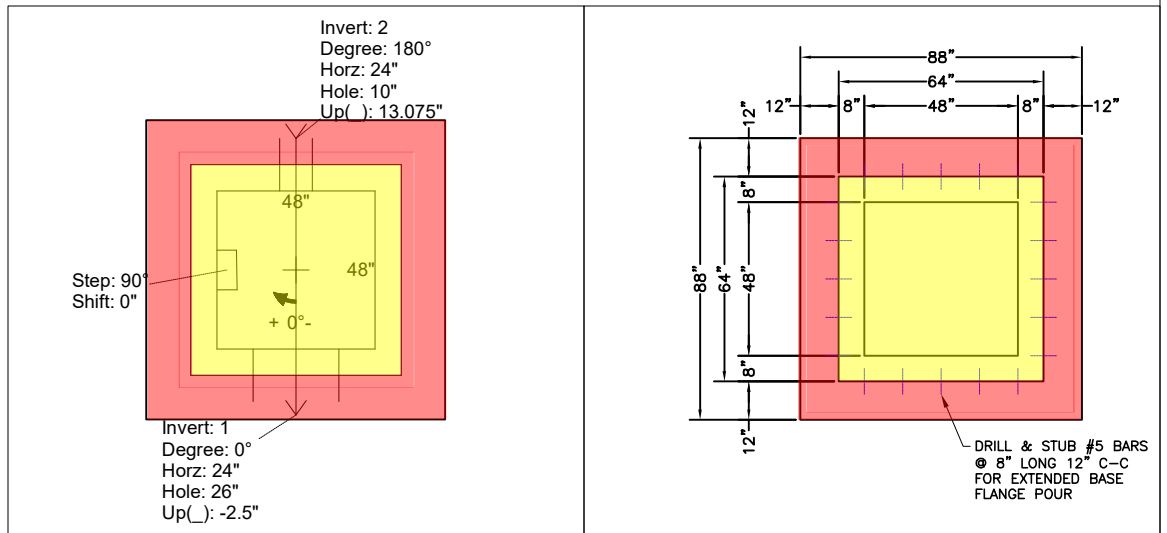
FIRST POUR - 6,498 LBS
 SECOND POUR - 5,907 LBS
 TOTAL - 12,405 LBS

Rim: 399' Rim to Invert: 7.1' Slack: 0.2" Sump: 0" Step Position: 90°

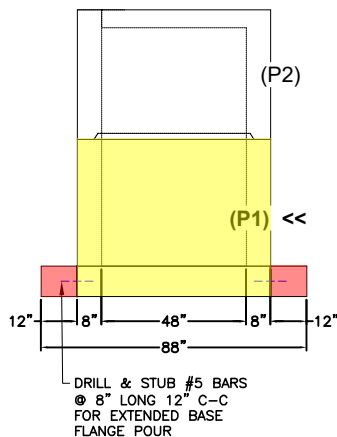
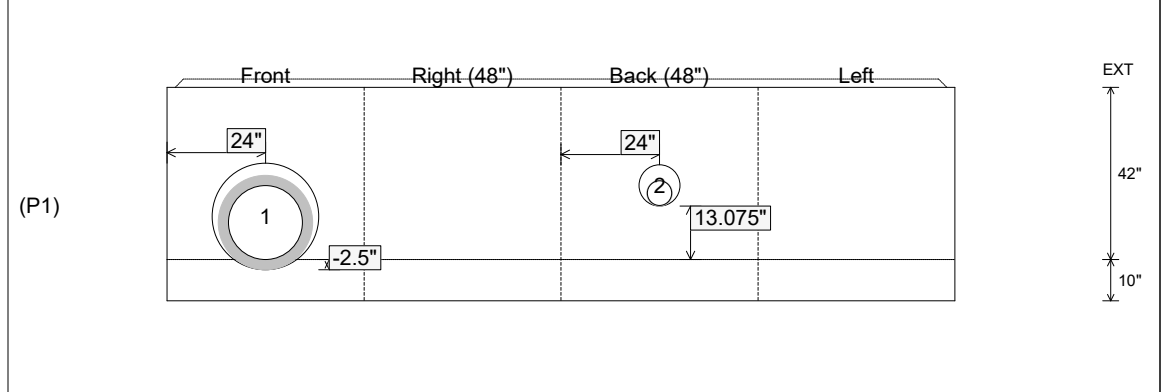
Position	Elev	Angle	Ext. (cw)	Pipe	Pipe OD	Connector	Hole	Horz Size	Up ()	Offset
Invert 1	391.9'	0°	32"	18" RCP B WALL	23"	Hole 26	26"	26"	-2.5"	0"
Invert 2	393'	180°	32"	6" PVC SDR35	6.25"	Hole 10	10"	10"	13.075"	0"
Invert 3										
Invert 4										
Invert 5										
Invert 6										
Invert 7										
Invert 8										

RIGHT-SIDE UP VIEW (int. dimensions)

UPSIDE-DOWN VIEW (int. dimensions)



INSIDE WALL DIMENSIONS



Coating (Int):
 Coating (Ext):

Seam Up: Tongue
 Seam Dn: n/a

Wall Thickness: 8"
 Floor Height: 10"

Height (Int): 42"
 Height (Ext): 52"

Weight (Net): 12405 lb
 Volume (Net): 3.17cu.yd