

Job Name: 25-1267B Grocery Owensboro KY
 Job Location: Owensboro, KY
 Contractor: Winwater Hartford KY Co.

Plant: Beaver Dam

Tech: J. Coppage

9/18/2025 12:09:27 PM

PC: A. Chambers



Structure ID: CBI-G3

P1 BX2436-08BVF

BOX BASE 8inW, 8inF, Variable Ht

- P2) 24" x 36" - CASTING HEIGHT - 6"
- P1) 24" x 36" - BOX BASE 8inW, 8inF, Variable Ht - 38"
- 1) 24" x 36" - SGL 1"x14.5' Butyl
- 1) Hole - 26
- 1) Hole - 24

- Structure Notes:
1. JBS 3080-V PROVIDED BY ICAST.
 2. PER ASTM C913 SPECIFICATIONS.
 3. CONCRETE = 4,000 PSI AT 28 DAYS.
 4. REINFORCING PER ASTM A615 (GRADE 60).
 - WALLS (As .12) #5 BARS AT 12" C.C.E.W.
 - FLOOR (As .12) #5 BARS AT 12" C.C.E.W.

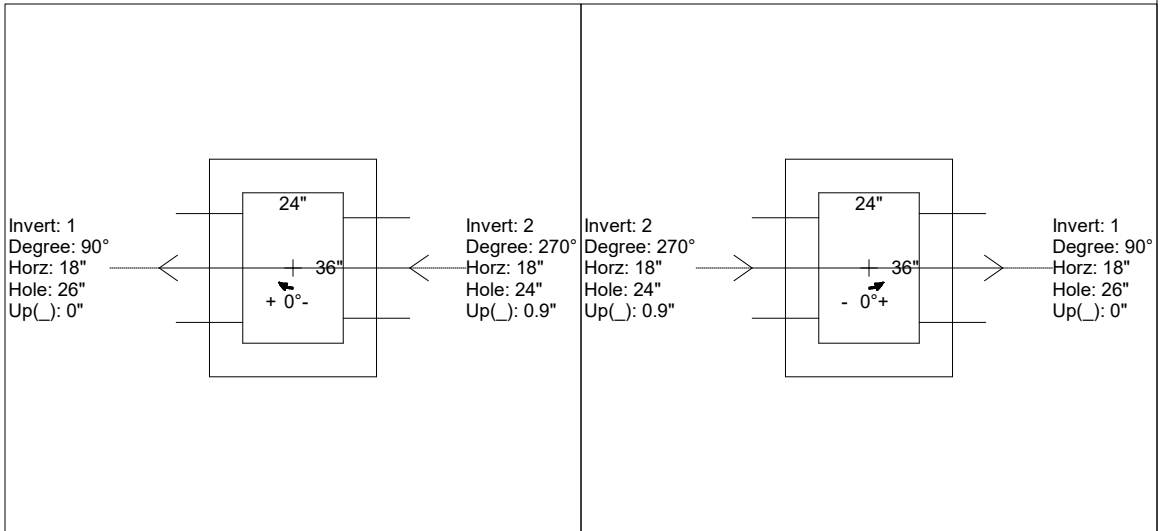
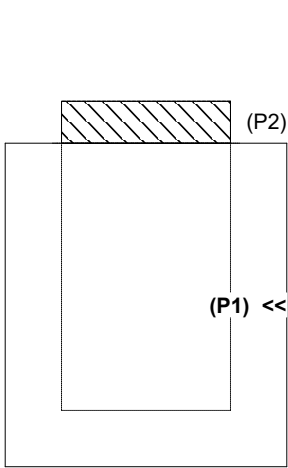
Structure Total: 4614 lb

Rim: 401.2' Rim to Invert: 3.68' Slack: 2.66" Sump: 2.5" Step Position:

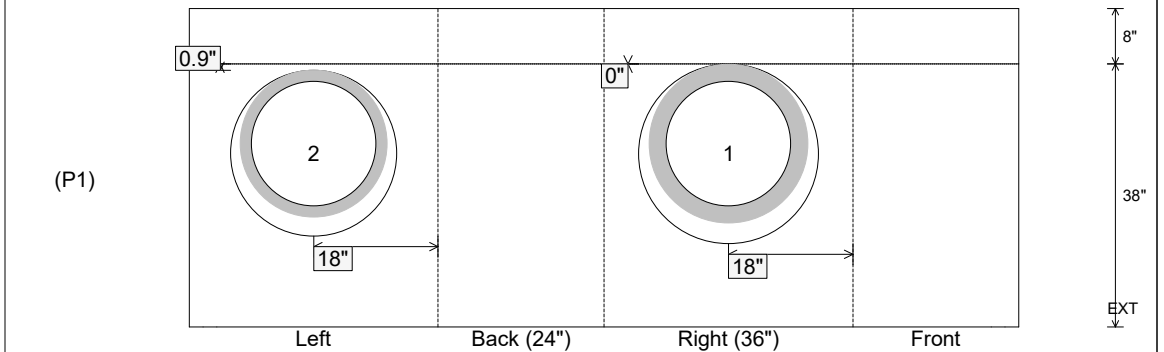
Position	Elev	Angle	Ext. (cw)	Pipe	Pipe OD	Connector	Hole	Horz Size	Up ()	Offset
Invert 1	397.52'	90°	26"	18" RCP B WALL	23"	Hole 26	26"	26"	0"	0"
Invert 2	397.52'	270°	26"	18" HDPE	21.2"	Hole 24	24"	24"	0.9"	0"
Invert 3										
Invert 4										
Invert 5										
Invert 6										
Invert 7										
Invert 8										

RIGHT-SIDE UP VIEW (int. dimensions)

UPSIDE-DOWN VIEW (int. dimensions)



INSIDE WALL DIMENSIONS



Coating (Int):
 Coating (Ext):

Seam Up: Flat
 Seam Dn: n/a

Wall Thickness: 8"
 Floor Height: 8"

Height (Int): 38"
 Height (Ext): 46"

Weight (Net): 4614 lb
 Volume (Net): 1.18cu.yd