

Job Name: 25-1267B Grocery Owensboro KY
Job Location: Owensboro, KY
Contractor: Winwater Hartford KY Co.

PC: A. Chambers
 TECH: J. Coppage
 Plant: Beaver Dam



Structure ID: **CBI-G2**
 Spec: Storm
 Type: STM.MH
 Size: 48"

Rim: 401.22'
 Invert: 397.21'
 Rim to Invert: 4.01'

Sump: 2.5"
 Floor (Top): 397.002'
 Floor Height: 6"

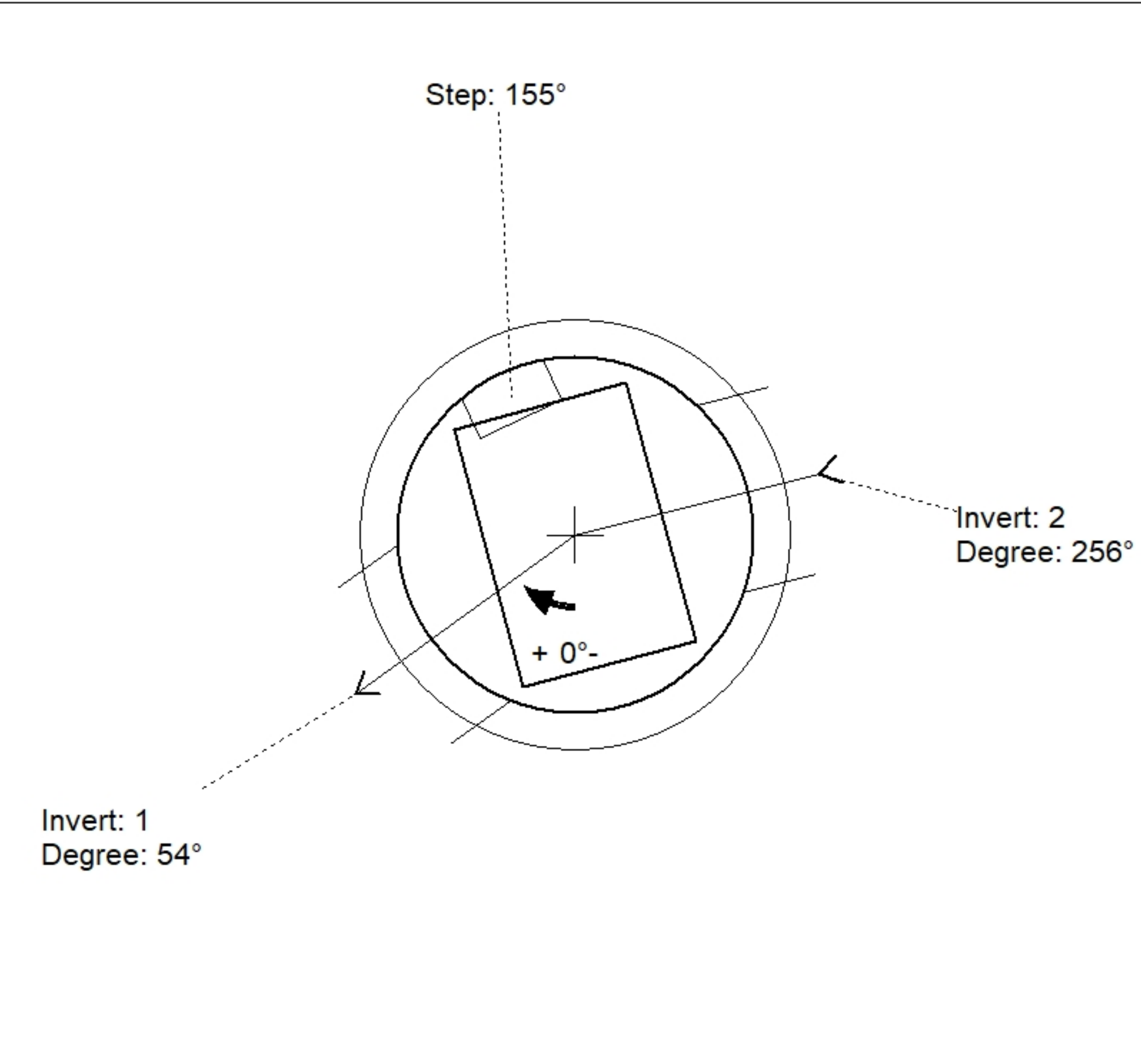
Floor (Bot): 396.502'
 Overall Height: 4.5'
 Slack: 2.62"

Structure Notes:

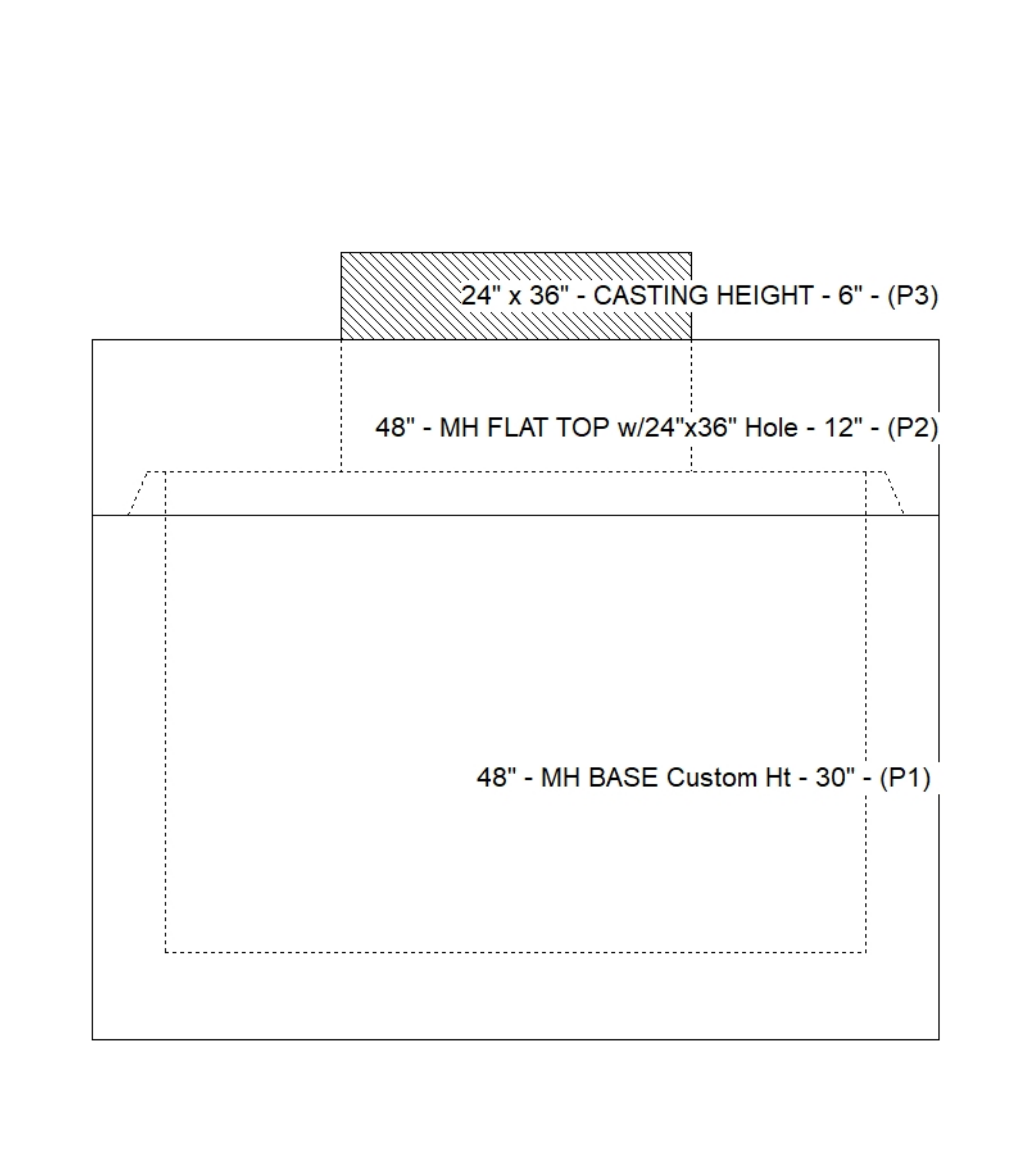
- JR-HOE 525 F/G/H PROVIDED BY ICAST. FLAT GRATE NOT LV.
- PER ASTM C478 SPECIFICATIONS.
- CONCRETE = 4,000 PSI AT 28 DAYS.
- REINFORCING PER ASTM A615 (GRADE 60).
 - TOP SLAB (As .62) #5 BARS AT 6" C.C.E.W..
 - RISER/WALLS (As .12)
 - FLOOR (As .31) #5 BARS AT 12" C.C.E.W.

STRUCTURE SUMMARY:

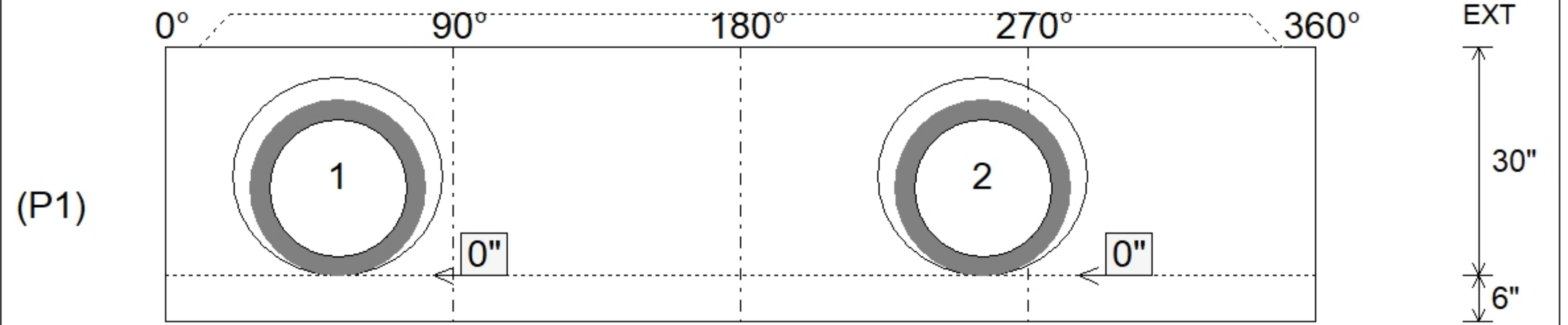
P3) 24" x 36" - CASTING HEIGHT - 6"	0 lb
P2) 48" - MH FLAT TOP w/24"x36" Hole - 12"	1300 lb
P1) 48" - MH BASE Custom Ht - 30"	2960 lb
1) CASTING - HOE 525 SET FLAT GRATE (F/G/H)	442 lb
1) 48" - SGL 1"x14.5' Butyl (2x)	0 lb
2) Hole - 26	0 lb
2) MH Step ML-10-TDS-NCR - 10"	0 lb
Structure Total:	4702 lb



Position	Elev	Angle	Pipe	Pipe OD	Hole	Connector	Up (L)	Ref
Rim	401.22'							
Reducer								
Invert 1	397.21'	54°	18" RCP B WALL	23"	26"	Hole 26	0"	P1
Invert 2	397.21'	256°	18" RCP B WALL	23"	26"	Hole 26	0"	P1
Invert 3								
Invert 4								
Invert 5								
Invert 6								
Invert 7								
Invert 8								



Default - Interior Dimensions



Submittal Drawing
 10/9/2025 10:40:24 AM

SUBMITTAL
 APPROVED BY: