

Job Name: 25-1267B Grocery Owensboro KY
 Job Location: Owensboro, KY
 Contractor: Winwater Hartford KY Co.

Plant: Beaver Dam

Tech: J. Coppage

9/18/2025 12:09:26 PM

PC: A. Chambers



Structure ID: CBI-G2

P1 MH048BA30

MH BASE Custom Ht

- P3) 24" x 36" - CASTING HEIGHT - 6"
- P2) 48" - MH FLAT TOP w/24"x36" Hole - 12"
- P1) 48" - MH BASE Custom Ht - 30"
- 1) 48" - SGL 1"x14.5' Butyl (2x)
- 2) Hole - 26"
- 2) MH Step ML-10-TDS-NCR - 10"

- Structure Notes:
1. JBS 3080-V PROVIDED BY ICAST.
 2. PER ASTM C478 SPECIFICATIONS.
 3. CONCRETE = 4,000 PSI AT 28 DAYS.
 4. REINFORCING PER ASTM A615 (GRADE 60).
 - TOP SLAB (As .62) #5 BARS AT 6" C.C.E.W..
 - RISER/WALLS (As .12)
 - FLOOR (As .31) #5 BARS AT 12" C.C.E.W.

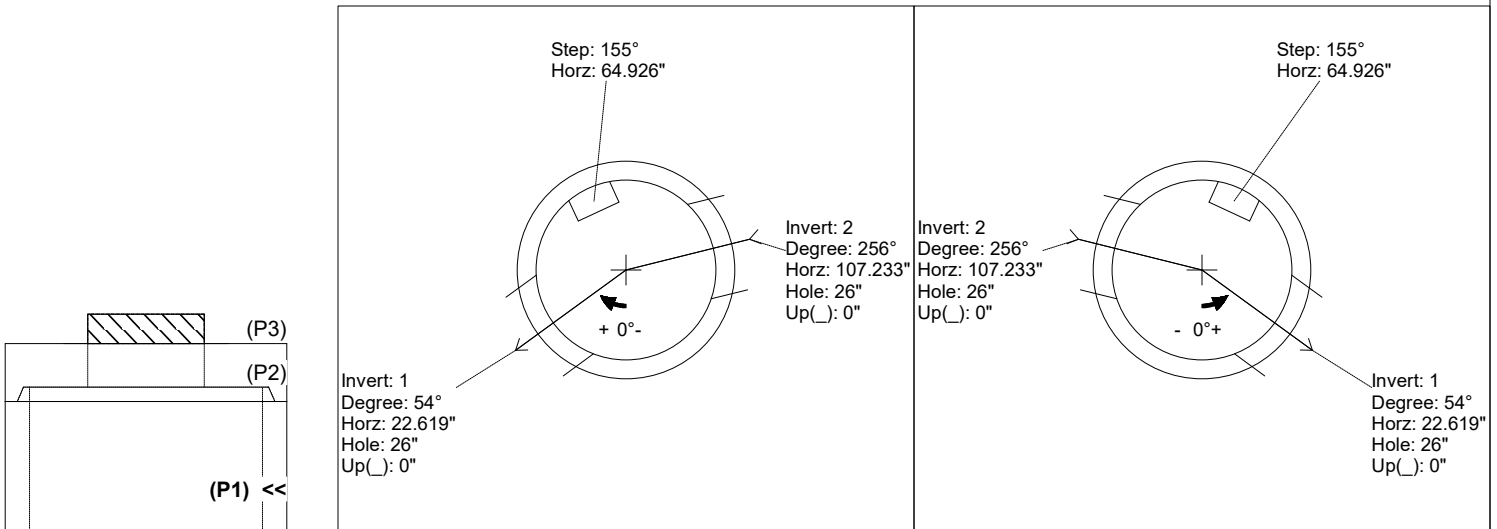
Structure Total: 4260 lb

Rim: 401.22' Rim to Invert: 4.01' Slack: 2.62" Sump: 2.5" Step Position: 155°

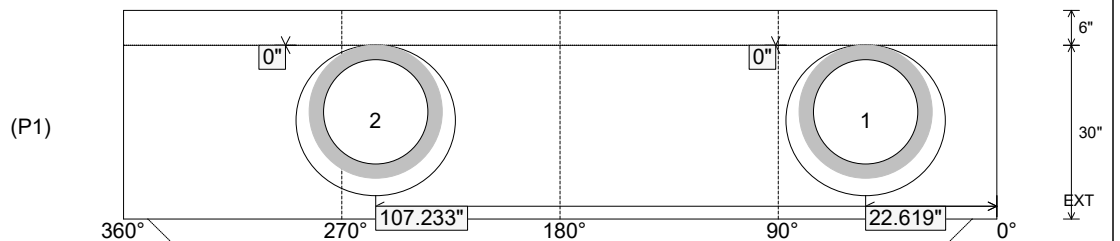
| Position | Elev | Angle | Ext. (cw) | Pipe | Pipe OD | Connector | Hole | Horz Size | Up () | Offset |
|----------|---------|-------|-----------|----------------|---------|-----------|------|-----------|--------|--------|
| Invert 1 | 397.21' | 54° | 27.332" | 18" RCP B WALL | 23" | Hole 26 | 26" | 27.476" | 0" | 0" |
| Invert 2 | 397.21' | 256° | 129.573" | 18" RCP B WALL | 23" | Hole 26 | 26" | 27.476" | 0" | 0" |
| Invert 3 | | | | | | | | | | |
| Invert 4 | | | | | | | | | | |
| Invert 5 | | | | | | | | | | |
| Invert 6 | | | | | | | | | | |
| Invert 7 | | | | | | | | | | |
| Invert 8 | | | | | | | | | | |

RIGHT-SIDE UP VIEW (int. dimensions)

UPSIDE-DOWN VIEW (int. dimensions)



INSIDE WALL DIMENSIONS



| | | | | |
|----------------------------------|---------------------------------|--|--|--|
| Coating (Int): Coating (Ext): | Seam Up: Tongue Seam Dn: n/a | Wall Thickness: 5" Floor Height: 6" | Height (Int): 30" Height (Ext): 36" | Weight (Net): 2960 lb Volume (Net): 0.76cu.yd |
|----------------------------------|---------------------------------|--|--|--|