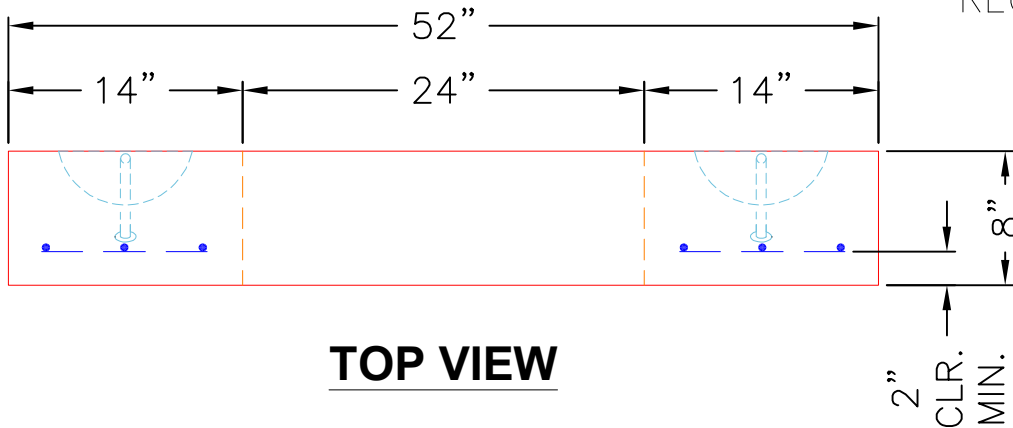
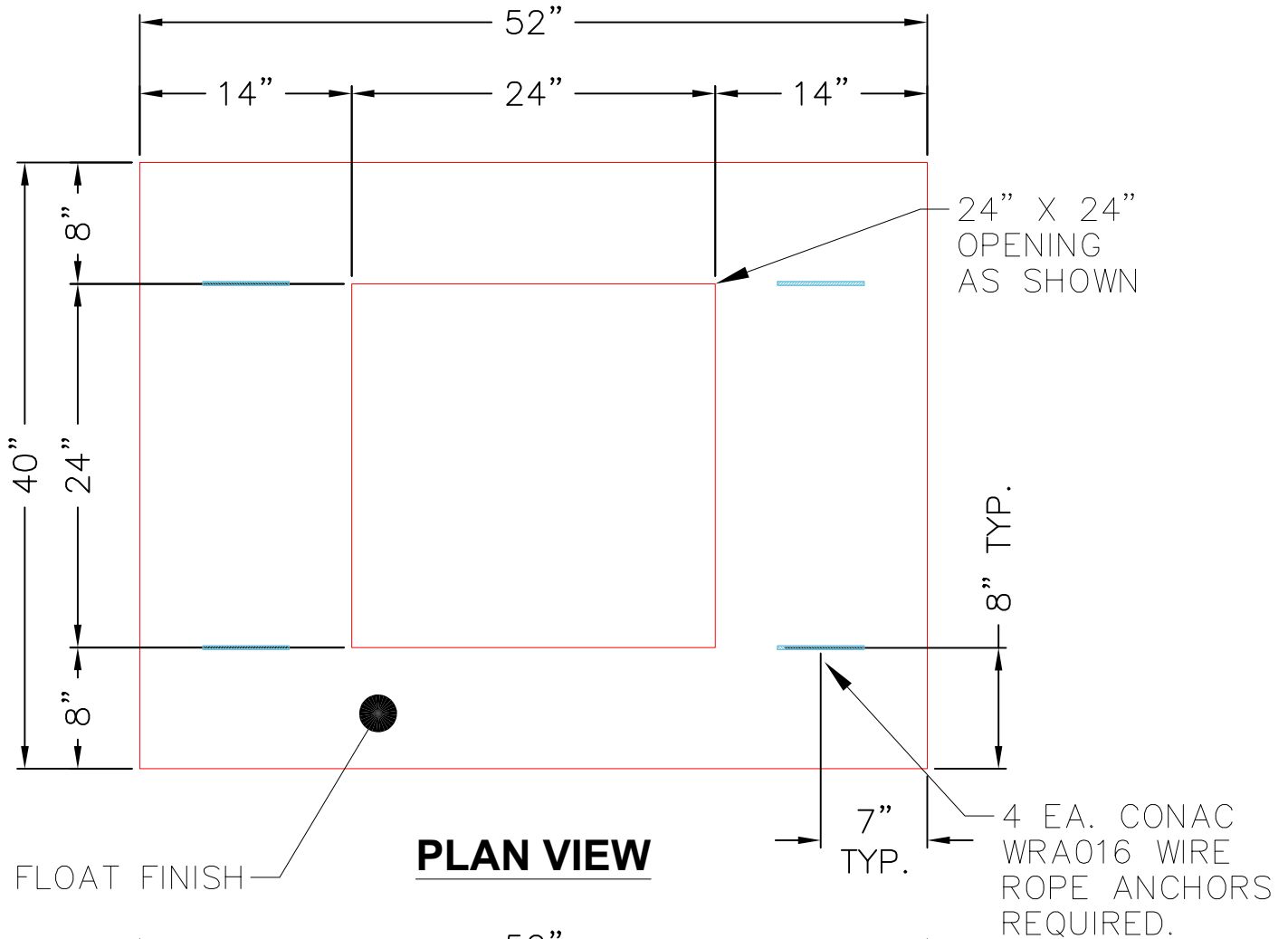


THIS DRAWING IS INTENDED TO BE PRINTED IN COLOR.



**NOTES:**

1. MANUFACTURED TO ASTM C-913 (LATEST REVISION).
2. CONCRETE: 5,000 PSI AT 28 DAYS.
3. REINFORCING: #5 BAR @ 6" O.C. E.W. (GRADE 60).

<p>PRODUCTION WORK ORDER</p>		<p>PRODUCT I.D.: BX024036-08LD08-24X24</p>	<p>DESCRIPTION: 40" X 52" X 8" THK TOP SLAB W/ 24" X 24" SQUARE OPENING</p>	
	<p>QUALITY CONTROL CHECKLIST</p>		<p>CUSTOMER: WINWATER HARTFORD KY CO.</p>	
	<input type="checkbox"/> ALL DIMENSIONS CORRECT.		<p>PLANT: BEAVER DAM, KY.</p>	
	<input type="checkbox"/> LIFTERS INSTALLED.		<p>PROJECT: GROCERY OWENSBORO KY</p>	
	<input type="checkbox"/> HOLE LOCATION CORRECT.		<p>STRUCTURE: CBI-E4 (KYTC CBI TY F)</p>	
	<input type="checkbox"/> REINFORCING CORRECT.		<p>QUOTE/SALES ORDER NO: 25-1267B</p>	
	<input type="checkbox"/> FINISH ON SLAB SURFACE UNIFORM.		<p>PC: A. CHAMBERS      DRAWING: J. COPPAGE</p>	
<input type="checkbox"/> OUTSIDE TOP EDGE TROWELLED.		<p>DATE: 9/22/25      SCALE: NTS      PG. 1 of 1</p>		
<input type="checkbox"/> GROOVE JOINT INSTALLED.		<p>QC CHECK INITIALS:</p>		