

Job Name: 25-1267B Grocery Owensboro KY  
 Job Location: Owensboro, KY  
 Contractor: Winwater Hartford KY Co.

Plant: Beaver Dam

9/18/2025 12:09:29 PM

Tech: J. Coppage

PC: A. Chambers



**Structure ID: CBI-E2 (KYTC CBI TY F)**

**P1 BX2424-08BAVF**

**BOX BASE 8inW, 8inF, Variable Ht**

- P2) 24" x 24" - CASTING HEIGHT - 5"
- P1) 24" x 24" - BOX BASE 8inW, 8inF, Variable Ht - 44"
- 1) 24" x 24" - SGL 1"x14.5' Butyl
- 2) Hole - 22"

0 lb  
 4328 lb  
 0 lb  
 0 lb  
 -----  
 Structure Total: 4328 lb

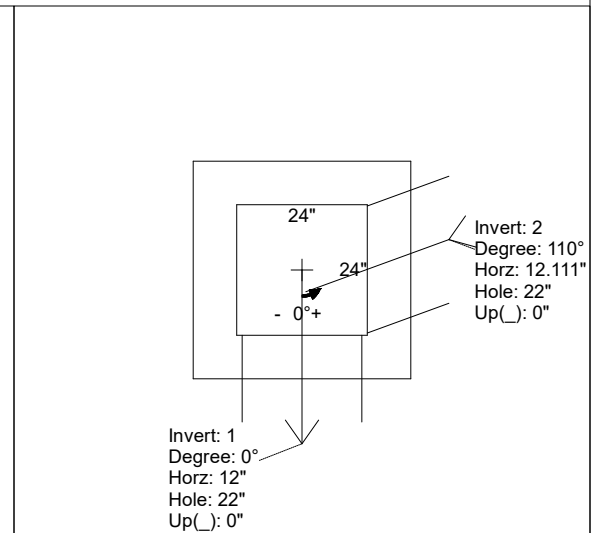
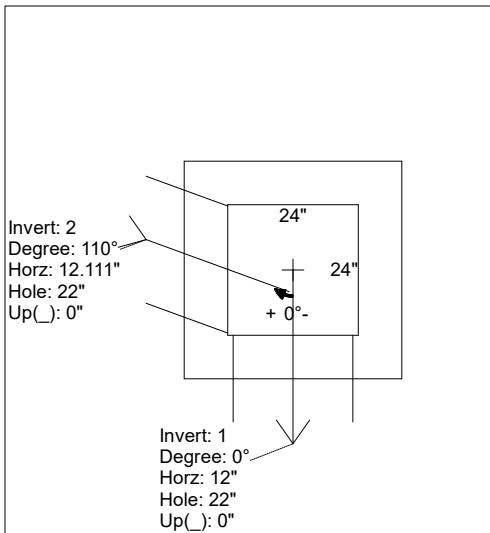
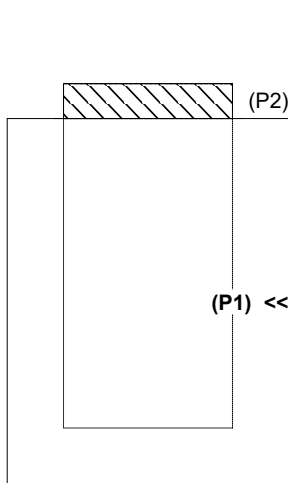
- Structure Notes:
1. JR HOE HOE-465 PROVIDED BY ICAST.
  2. KYTC CBI TYPE F / ASTM C913 SPECIFICATIONS.
  3. CONCRETE = 4,000 PSI AT 28 DAYS.
  4. REINFORCING PER ASTM A615 (GRADE 60).  
 - WALLS (As .31) #5 BARS AT 12" C.C.E.W.  
 - FLOOR (As .31) #5 BARS AT 12" C.C.E.W.

Rim: 401.44' Rim to Invert: 4.13' Slack: 2.81' Sump: 2.25" Step Position:

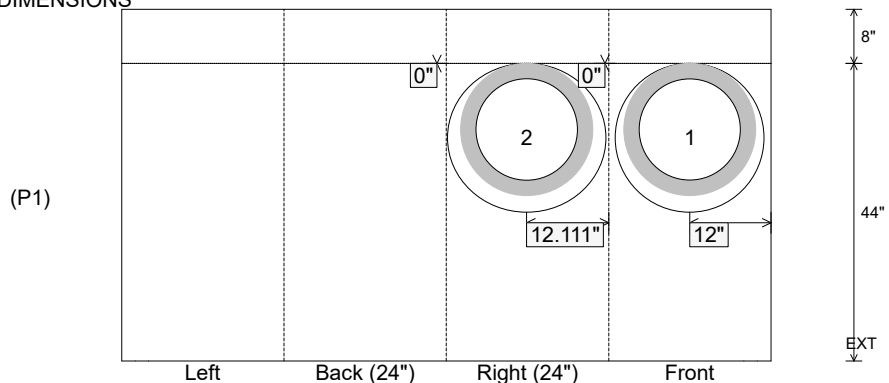
Position	Elev	Angle	Ext. (cw)	Pipe	Pipe OD	Connector	Hole	Horz Size	Up ( )	Offset
Invert 1	397.31'	0°	20"	15" RCP B WALL	19.5"	Hole 22	22"	22"	0"	0"
Invert 2	397.31'	110°	23.023"	15" RCP B WALL	19.5"	Hole 22	22"	23.412"	0"	-4"
Invert 3										
Invert 4										
Invert 5										
Invert 6										
Invert 7										
Invert 8										

RIGHT-SIDE UP VIEW (int. dimensions)

UPSIDE-DOWN VIEW (int. dimensions)



INSIDE WALL DIMENSIONS



Coating (Int):  
 Coating (Ext):

Seam Up: Flat  
 Seam Dn: n/a

Wall Thickness: 8"  
 Floor Height: 8"

Height (Int): 44"  
 Height (Ext): 52"

Weight (Net): 4328 lb  
 Volume (Net): 1.11cu.yd