

Job Name: 25-1267B Grocery Owensboro KY  
 Job Location: Owensboro, KY  
 Contractor: Winwater Hartford KY Co.

Plant: Beaver Dam

9/18/2025 12:09:08 PM

Tech: J. Coppage

PC: A. Chambers



**Structure ID: CBI-D1**

**P1 MH060BAVF**

**MH BASE Custom Ht**

- P3) 24" x 36" - CASTING HEIGHT - 6"
- P2) 60" - MH FLAT TOP w/24"x36" Hole - 8"
- P1) 60" - MH BASE Custom Ht - 50"
- 1) 60" - SGL 1"x14.5' Butyl (2x)
- 1) DOGHOUSE INVRTD - 48"x50"
- 1) Hole - 24
- 4) MH Step ML-10-TDS-NCR - 10"

- Structure Notes:
1. JBS 3080-V PROVIDED BY ICAST.
  2. PER ASTM C478 SPECIFICATIONS.
  3. CONCRETE = 4,000 PSI AT 28 DAYS.
  4. REINFORCING PER ASTM A615 (GRADE 60).
    - TOP SLAB (As .62) #5 BARS AT 6" C.C.E.W..
    - RISER/WALLS (As .18)
    - FLOOR (As .37) #5 BARS AT 10" C.C.E.W.

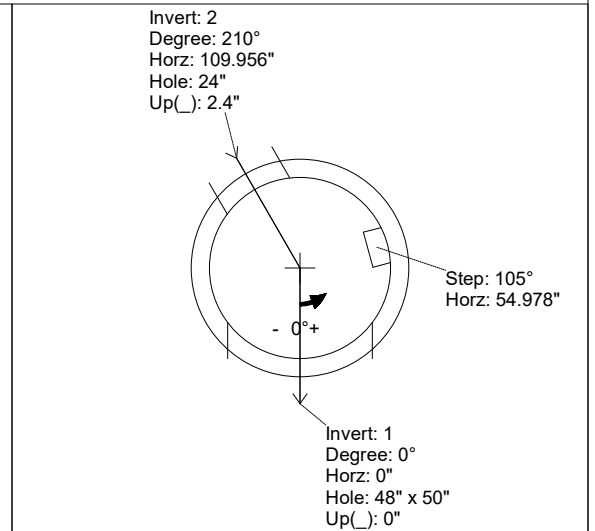
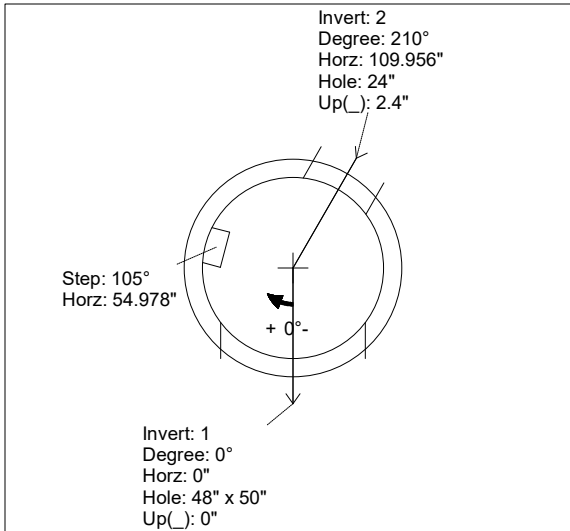
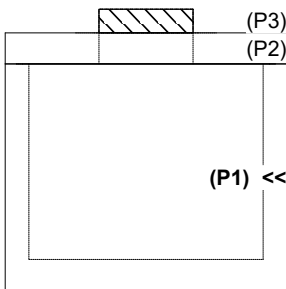
Structure Total: 8657 lb

Rim: 402.51' Rim to Invert: 5.12' Slack: 1.44" Sump: 4" Step Position: 45°

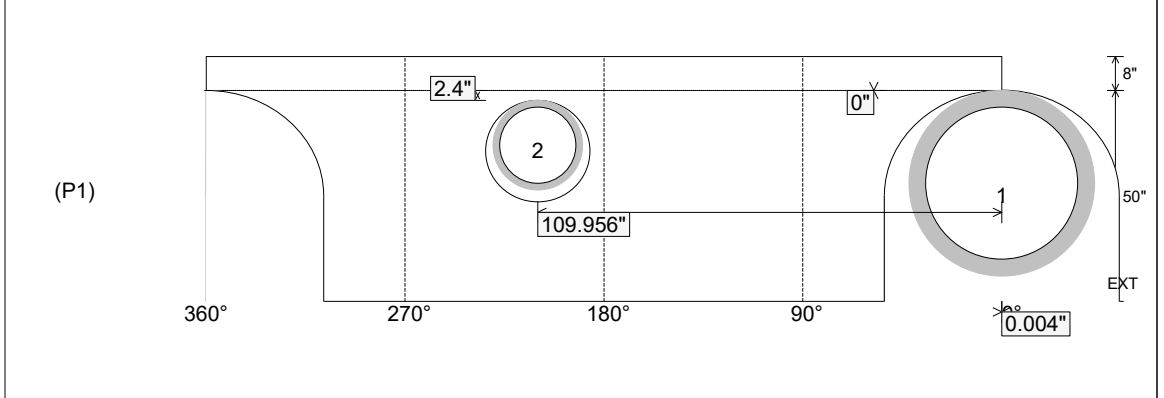
Position	Elev	Angle	Ext. (cw)	Pipe	Pipe OD	Connector	Hole	Horz Size	Up ( )	Offset
Invert 1	397.39'	0°	0.004"	36" RCP B WALL	44"	DOGHOUSE INVRTD 48"x50"	48" x 50"	55.638"	0"	0.004"
Invert 2	397.39'	210°	131.947"	18" HDPE	21.2"	Hole 24	24"	24.691"	2.4"	0"
Invert 3										
Invert 4										
Invert 5										
Invert 6										
Invert 7										
Invert 8										

RIGHT-SIDE UP VIEW (int. dimensions)

UPSIDE-DOWN VIEW (int. dimensions)



INSIDE WALL DIMENSIONS



Coating (Int): Coating (Ext):	Seam Up: Flat Seam Dn: n/a	Wall Thickness: 6" Floor Height: 8"	Height (Int): 50" Height (Ext): 58"	Weight (Net): 6504 lb Volume (Net): 1.66cu.yd
----------------------------------	-------------------------------	----------------------------------------	----------------------------------------	--------------------------------------------------