

Job Name: 25-1267B Grocery Owensboro KY
Job Location: Owensboro, KY
Contractor: Winwater Hartford KY Co.

PC: A. Chambers
 TECH: J. Coppage
 Plant: Beaver Dam



Structure ID: **CBI-C3.2**
 Spec: Storm
 Type: STM.MH
 Size: 48"

Rim: 401.94'
 Invert: 396.27'
 Rim to Invert: 5.67'

Sump: 2.5"
 Floor (Top): 396.062'
 Floor Height: 6"

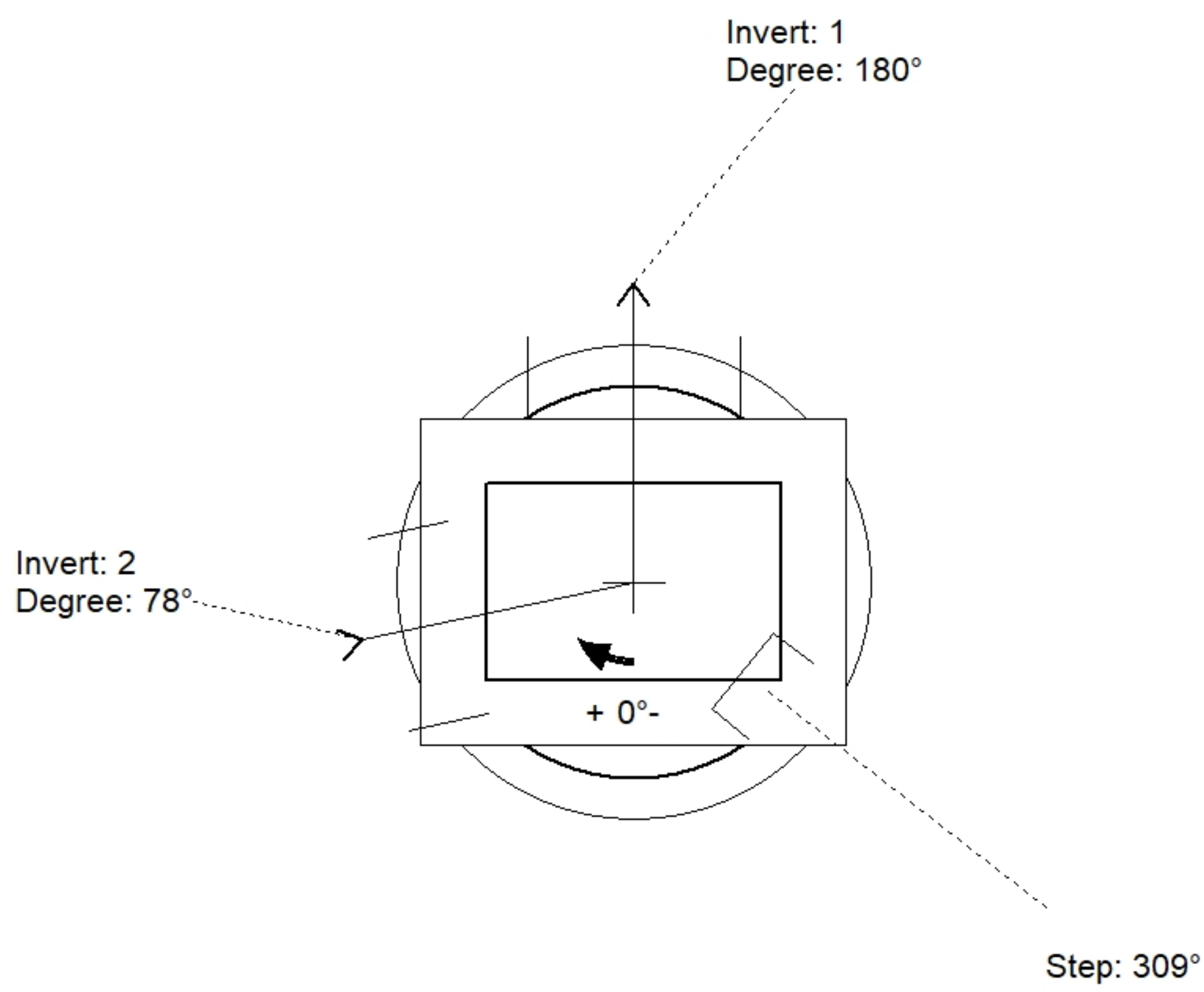
Floor (Bot): 395.562'
 Overall Height: 6.25'
 Slack: 1.54"

Structure Notes:

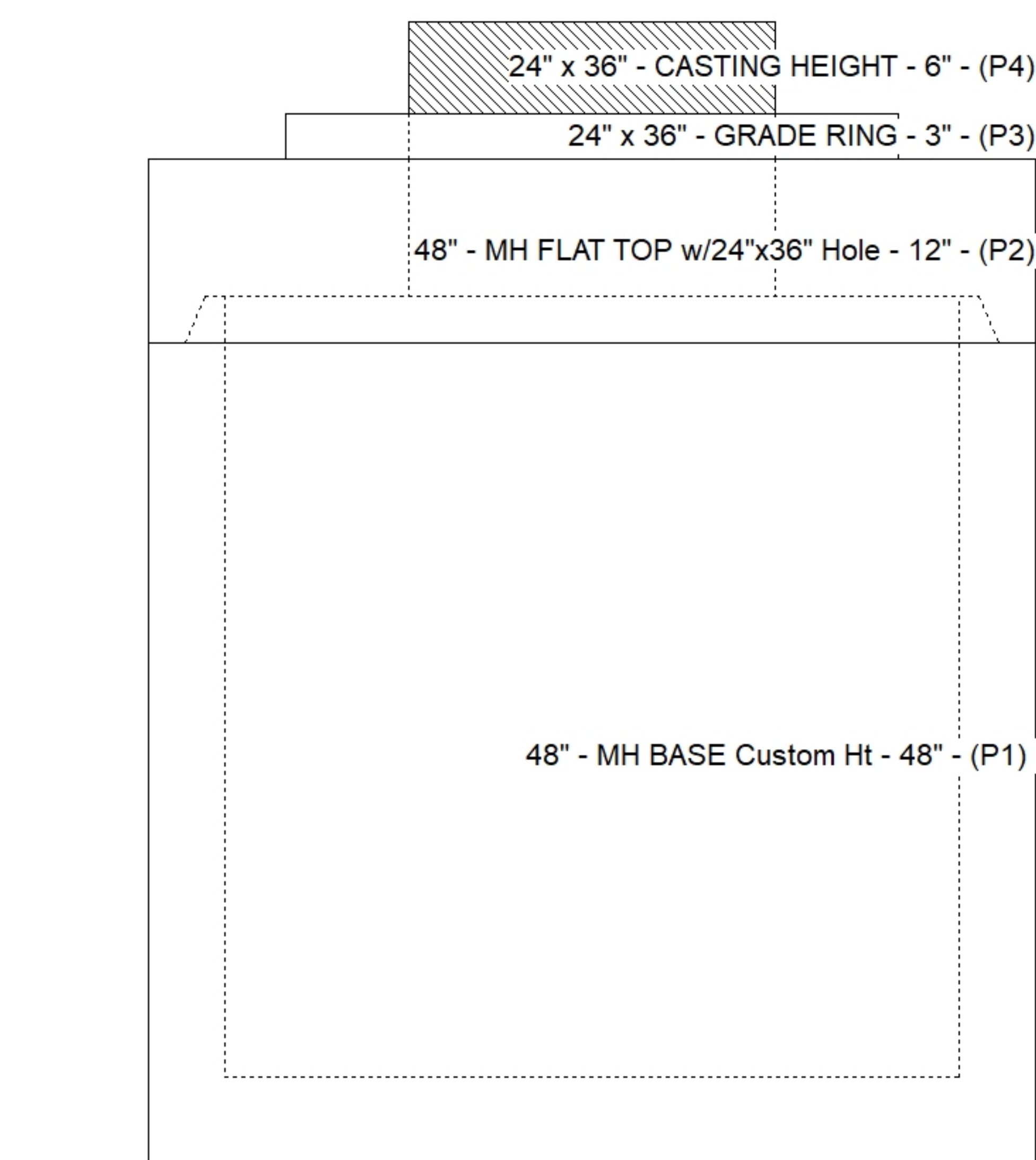
1. JR-HOE 525 F/G/H PROVIDED BY ICAST. FLAT GRATE NOT LV.
2. PER ASTM C478 SPECIFICATIONS.
3. CONCRETE = 4,000 PSI AT 28 DAYS.
4. REINFORCING PER ASTM A615 (GRADE 60).
 - TOP SLAB (As .62) #5 BARS AT 6" C.C.E.W..
 - RISER/WALLS (As .12)
 - FLOOR (As .31) #5 BARS AT 12" C.C.E.W.

STRUCTURE SUMMARY:

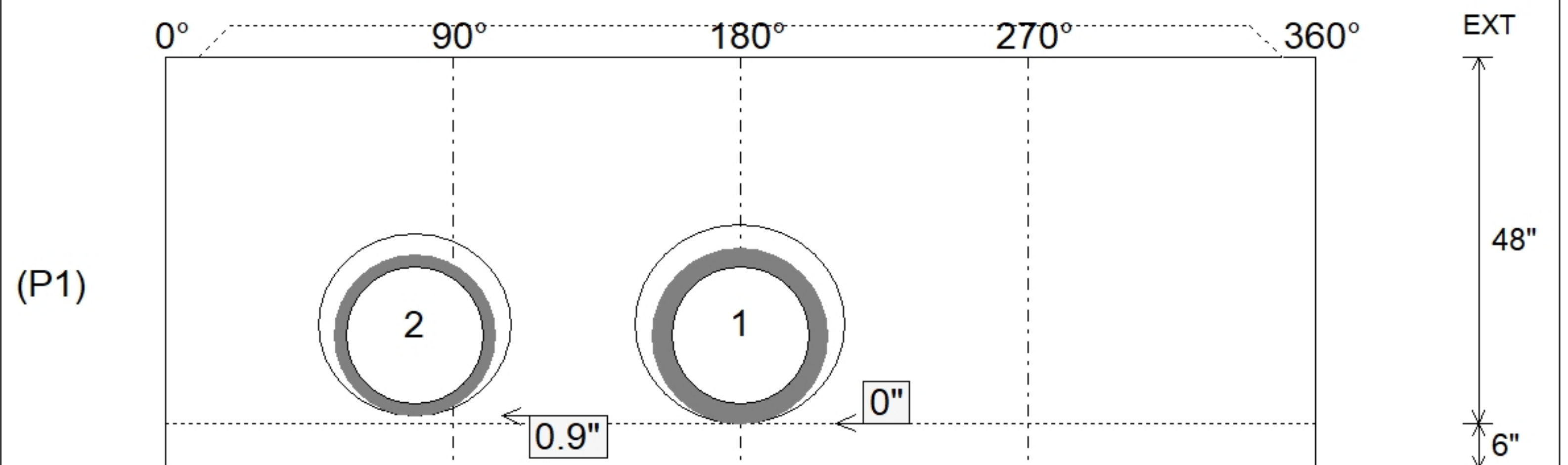
P4) 24" x 36" - CASTING HEIGHT - 6"	0 lb
P3) 24" x 36" - GRADE RING - 3"	306 lb
P2) 48" - MH FLAT TOP w/24"x36" Hole - 12"	1300 lb
P1) 48" - MH BASE Custom Ht - 48"	4253 lb
1) CASTING - HOE 525 SET FLAT GRATE (F/G/H)	442 lb
1) 48" - SGL 1"x14.5' Butyl (2x)	0 lb
1) Hole - 26	0 lb
1) Hole - 24	0 lb
4) MH Step ML-10-TDS-NCR - 10"	0 lb
Structure Total:	6301 lb



Position	Elev	Angle	Pipe	Pipe OD	Hole	Connector	Up (")	Ref
Rim	401.94'							
Reducer								
Invert 1	396.27'	180°	18" RCP B WALL	23"	26"	Hole 26	0"	P1
Invert 2	396.27'	78°	18" HDPE	21.2"	24"	Hole 24	0.9"	P1
Invert 3								
Invert 4								
Invert 5								
Invert 6								
Invert 7								
Invert 8								



Default - Interior Dimensions



Submittal Drawing
 10/9/2025 10:40:19 AM

SUBMITTAL
 APPROVED BY: