

Job Name: 25-1267B Grocery Owensboro KY  
 Job Location: Owensboro, KY  
 Contractor: Winwater Hartford KY Co.

Plant: Beaver Dam

Tech: J. Coppage

9/18/2025 12:09:15 PM

PC: A. Chambers



**Structure ID: CBI-C3**

**P1 BX2436-08BVF**

**BOX BASE 8inW, 8inF, Variable Ht**

- P2) 24" x 36" - CASTING HEIGHT - 6"
- P1) 24" x 36" - BOX BASE 8inW, 8inF, Variable Ht - 33"
- 1) 24" x 36" - SGL 1"x14.5' Butyl
- 2) Hole - 24
- 1) Hole - 26

- Structure Notes:
1. JBS 3080-V PROVIDED BY ICAST.
  2. PER ASTM C913 SPECIFICATIONS.
  3. CONCRETE = 4,000 PSI AT 28 DAYS.
  4. REINFORCING PER ASTM A615 (GRADE 60).
    - TOP SLAB (As .62) #5 BARS AT 6" C.C.E.W.
    - WALLS (As .12) #5 BARS AT 12" C.C.E.W.
    - FLOOR (As .12) #5 BARS AT 12" C.C.E.W.

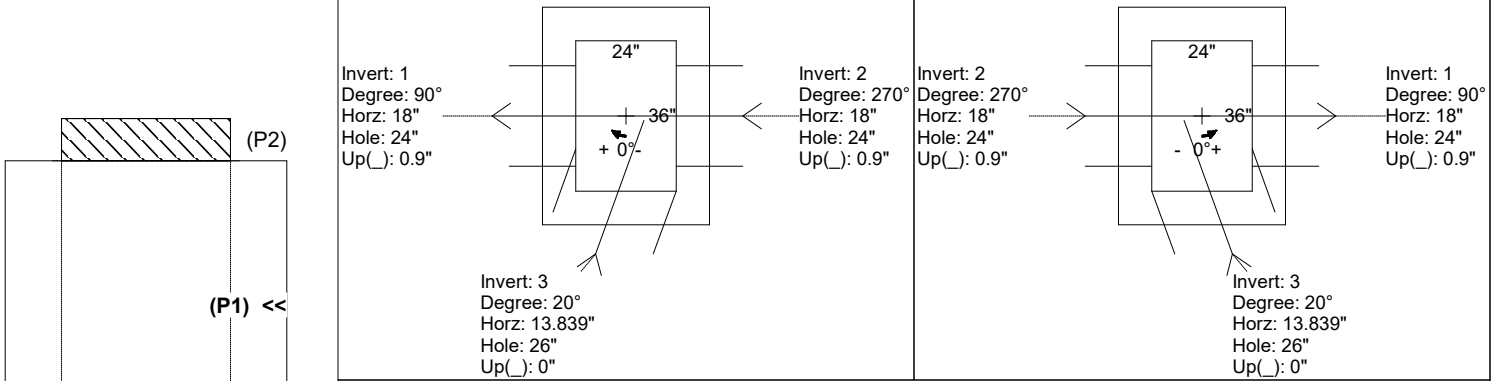
Structure Total: 3733 lb

Rim: 396.42' Rim to Invert: 3.14' Slack: 1.18" Sump: 2.5" Step Position:

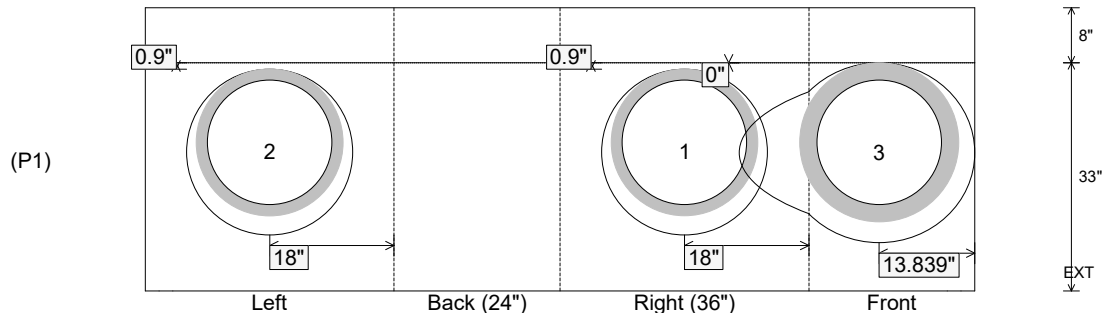
| Position | Elev    | Angle | Ext. (cw) | Pipe           | Pipe OD | Connector | Hole | Horz Size        | Up (") | Offset  |
|----------|---------|-------|-----------|----------------|---------|-----------|------|------------------|--------|---------|
| Invert 1 | 393.28' | 90°   | 26"       | 18" HDPE       | 21.2"   | Hole 24   | 24"  | 24"              | 0.9"   | 0"      |
| Invert 2 | 393.28' | 270°  | 26"       | 18" HDPE       | 21.2"   | Hole 24   | 24"  | 24"              | 0.9"   | 0"      |
| Invert 3 | 393.28' | 20°   | 24.75"    | 18" RCP B WALL | 23"     | Hole 26   | 26"  | 23.996", 10.091" | 0"     | -4.429" |
| Invert 4 |         |       |           |                |         |           |      |                  |        |         |
| Invert 5 |         |       |           |                |         |           |      |                  |        |         |
| Invert 6 |         |       |           |                |         |           |      |                  |        |         |
| Invert 7 |         |       |           |                |         |           |      |                  |        |         |
| Invert 8 |         |       |           |                |         |           |      |                  |        |         |

RIGHT-SIDE UP VIEW (int. dimensions)

UPSIDE-DOWN VIEW (int. dimensions)



INSIDE WALL DIMENSIONS



Coating (Int):  
 Coating (Ext):

Seam Up: Flat  
 Seam Dn: n/a

Wall Thickness: 8"  
 Floor Height: 8"

Height (Int): 33"  
 Height (Ext): 41"

Weight (Net): 3733 lb  
 Volume (Net): 0.95cu.yd