

Job Name: 25-1267B Grocery Owensboro KY
 Job Location: Owensboro, KY
 Contractor: Winwater Hartford KY Co.

Plant: Beaver Dam

Tech: J. Coppage

9/18/2025 12:09:24 PM

PC: A. Chambers



Structure ID: CBI-B8

P1 MH048BAVF

MH BASE Custom Ht

- P3) 24" x 36" - CASTING HEIGHT - 6"
- P2) 48" - MH FLAT TOP w/24"x36" Hole - 12"
- P1) 48" - MH BASE Custom Ht - 34"
- 1) 48" - SGL 1"x14.5' Butyl (2x)
- 1) Hole - 24
- 1) Hole - 14
- 3) MH Step ML-10-TDS-NCR - 10"

- Structure Notes:
1. JBS 3080-V PROVIDED BY ICAST.
 2. PER ASTM C478 SPECIFICATIONS.
 3. CONCRETE = 4,000 PSI AT 28 DAYS.
 4. REINFORCING PER ASTM A615 (GRADE 60).
 - TOP SLAB (As .62) #5 BARS AT 6" C.C.E.W..
 - RISER/WALLS (As .12)
 - FLOOR (As .31) #5 BARS AT 12" C.C.E.W.

Structure Total:

0 lb
 1300 lb
 3443 lb
 0 lb
 0 lb
 0 lb
 0 lb

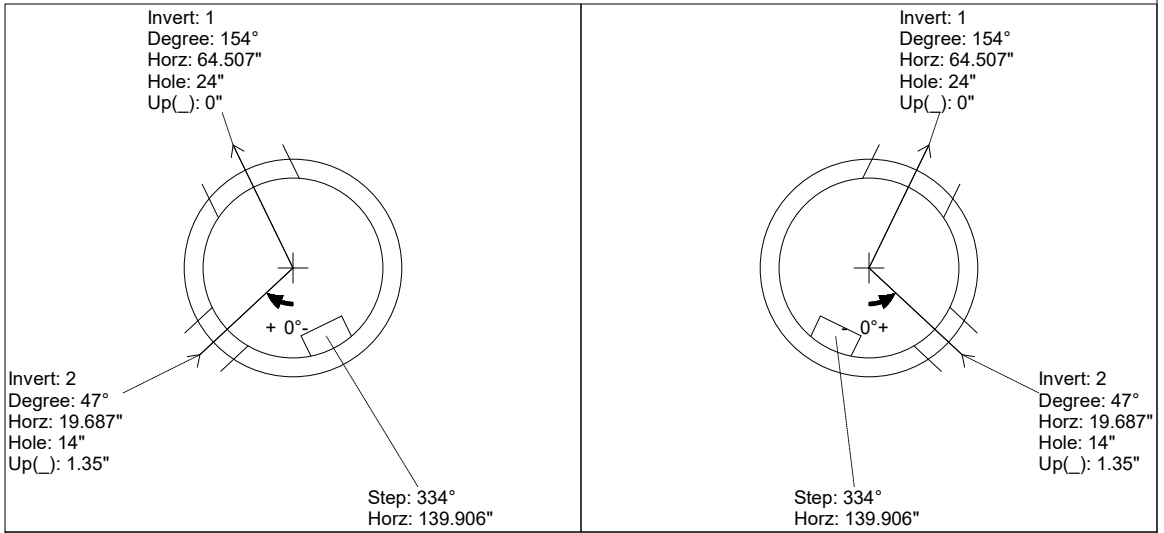
 4743 lb

Rim: 403.93' Rim to Invert: 4.43' Slack: 2.76" Sump: 1.6" Step Position: 334°

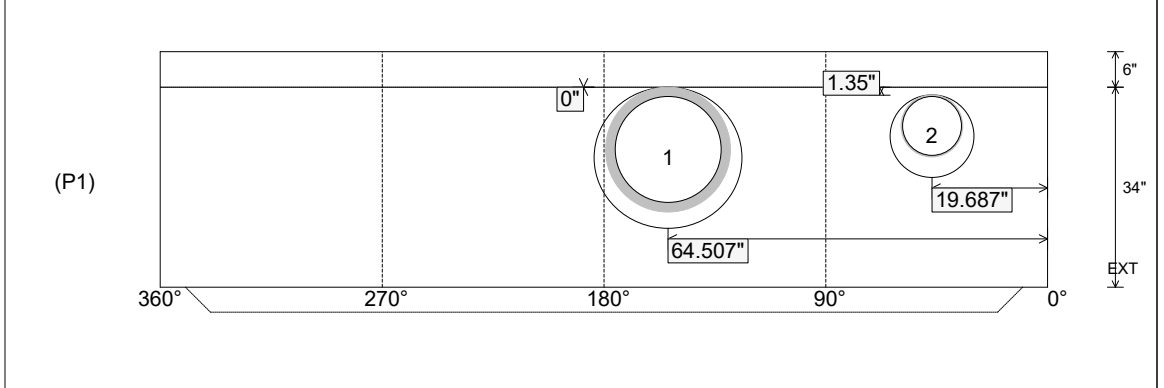
Position	Elev	Angle	Ext. (cw)	Pipe	Pipe OD	Connector	Hole	Horz Size	Up ()	Offset
Invert 1	399.5'	154°	77.946"	18" HDPE	21.2"	Hole 24	24"	25.133"	0"	0"
Invert 2	399.5'	47°	23.789"	10" PVC SDR35	10.5"	Hole 14	14"	14.207"	1.35"	0"
Invert 3										
Invert 4										
Invert 5										
Invert 6										
Invert 7										
Invert 8										

RIGHT-SIDE UP VIEW (int. dimensions)

UPSIDE-DOWN VIEW (int. dimensions)



INSIDE WALL DIMENSIONS



Coating (Int):
 Coating (Ext):

Seam Up: Tongue
 Seam Dn: n/a

Wall Thickness: 5"
 Floor Height: 6"

Height (Int): 34"
 Height (Ext): 40"

Weight (Net): 3443 lb
 Volume (Net): 0.88cu.yd