

**Job Name: 25-1267B Grocery Owensboro KY**  
**Job Location: Owensboro, KY**  
**Contractor: Winwater Hartford KY Co.**

PC: A. Chambers  
 TECH: J. Coppage  
 Plant: Beaver Dam



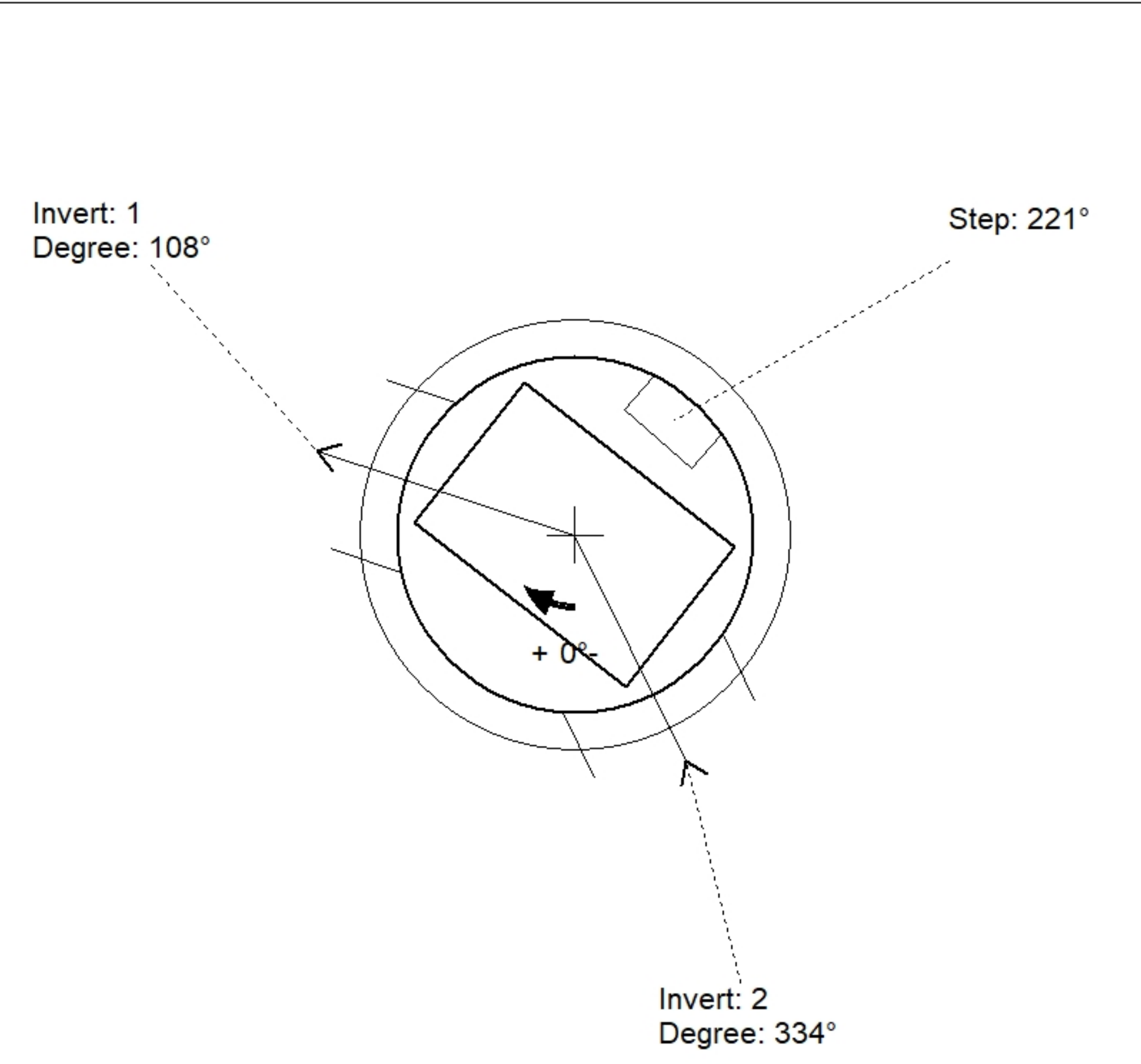
Structure ID: CBI-B7  
 Spec: Storm Rim: 403.38' Sump: 1.6" Floor (Bot): 398.657'  
 Type: STM.MH Invert: 399.29' Floor (Top): 399.157' Overall Height: 4.5'  
 Size: 48" Rim to Invert: 4.09' Floor Height: 6" Slack: 2.68"

**Structure Notes:**

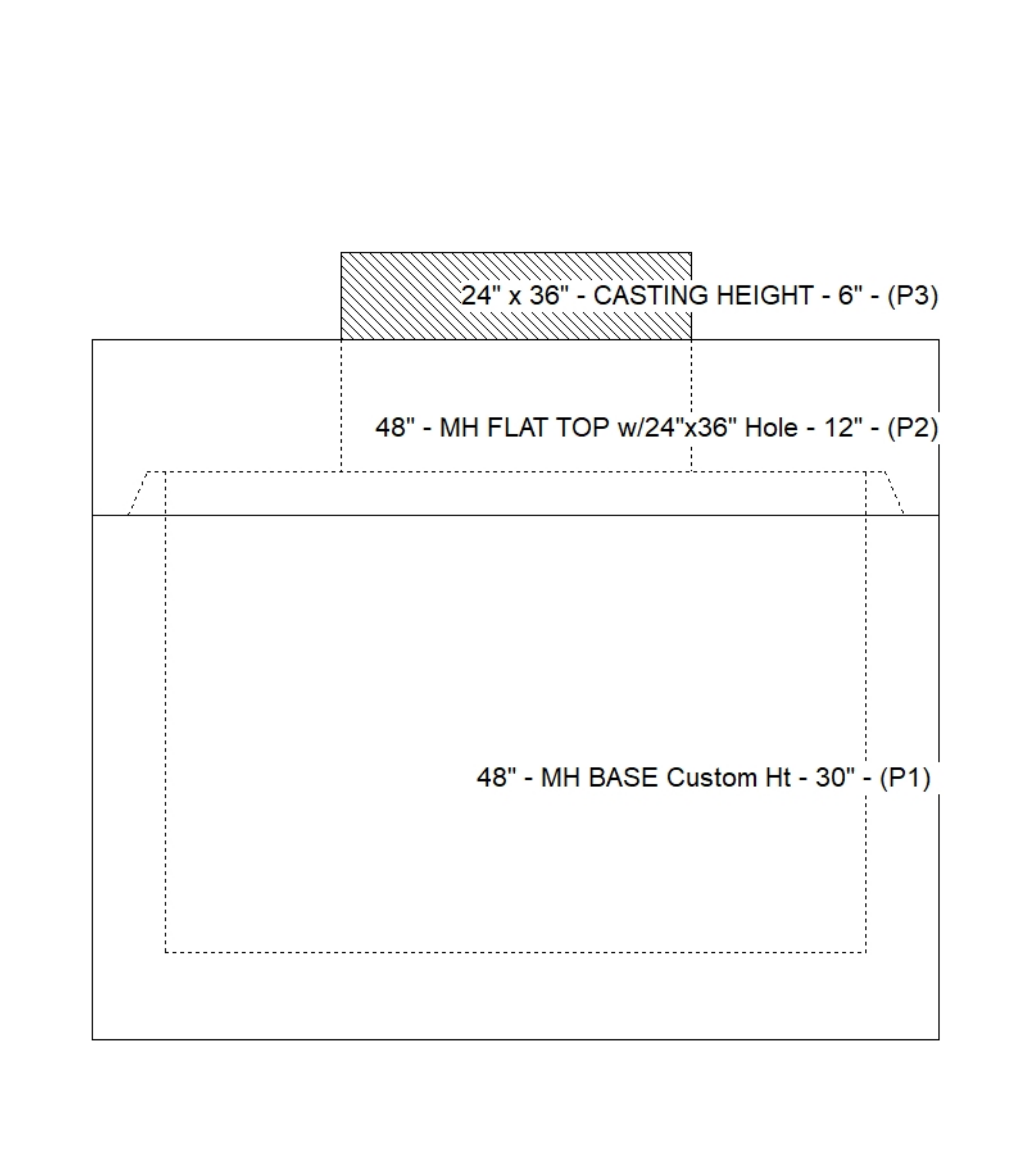
1. JR-HOE 525 F/G/H PROVIDED BY ICAST. FLAT GRATE NOT LV.
2. PER ASTM C478 SPECIFICATIONS.
3. CONCRETE = 4,000 PSI AT 28 DAYS.
4. REINFORCING PER ASTM A615 (GRADE 60).
  - TOP SLAB (As .62) #5 BARS AT 6" C.C.E.W..
  - RISER/WALLS (As .12)
  - FLOOR (As .31) #5 BARS AT 12" C.C.E.W.

**STRUCTURE SUMMARY:**

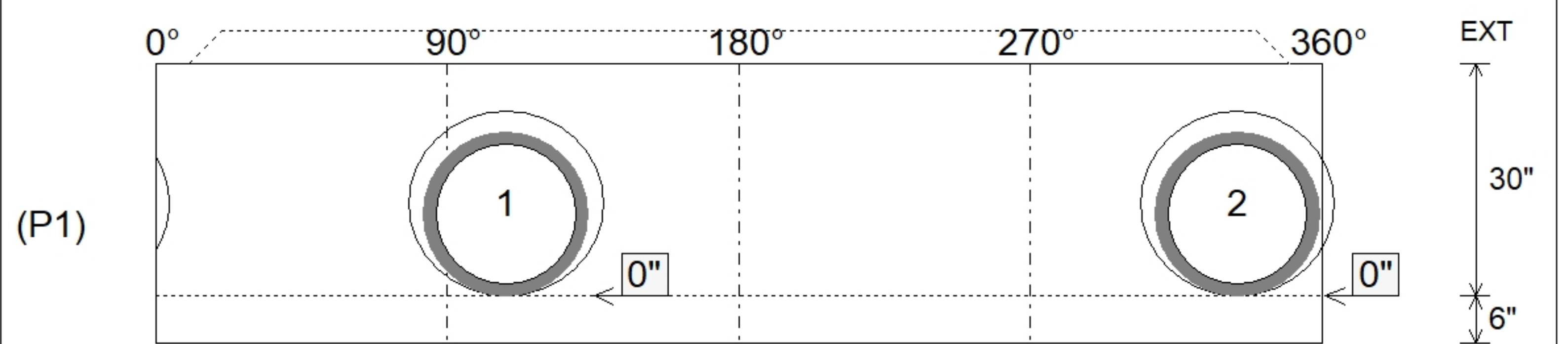
P3) 24" x 36" - CASTING HEIGHT - 6"	0 lb
P2) 48" - MH FLAT TOP w/24"x36" Hole - 12"	1300 lb
P1) 48" - MH BASE Custom Ht - 30"	3032 lb
1) CASTING - HOE 525 SET FLAT GRATE (F/G/H)	442 lb
1) 48" - SGL 1"x14.5' Butyl (2x)	0 lb
2) Hole - 24	0 lb
2) MH Step ML-10-TDS-NCR - 10"	0 lb
<b>Structure Total:</b>	<b>4774 lb</b>



Position	Elev	Angle	Pipe	Pipe OD	Hole	Connector	Up (")	Ref
Rim	403.38'							
Reducer								
Invert 1	399.29'	108°	18" HDPE	21.2"	24"	Hole 24	0"	P1
Invert 2	399.29'	334°	18" HDPE	21.2"	24"	Hole 24	0"	P1
Invert 3								
Invert 4								
Invert 5								
Invert 6								
Invert 7								
Invert 8								



**Default - Interior Dimensions**



Submittal Drawing  
 10/9/2025 10:40:22 AM

SUBMITTAL  
 APPROVED BY: