

**Job Name: 25-1267B Grocery Owensboro KY**  
**Job Location: Owensboro, KY**  
**Contractor: Winwater Hartford KY Co.**

PC: A. Chambers  
 TECH: J. Coppage  
 Plant: Beaver Dam



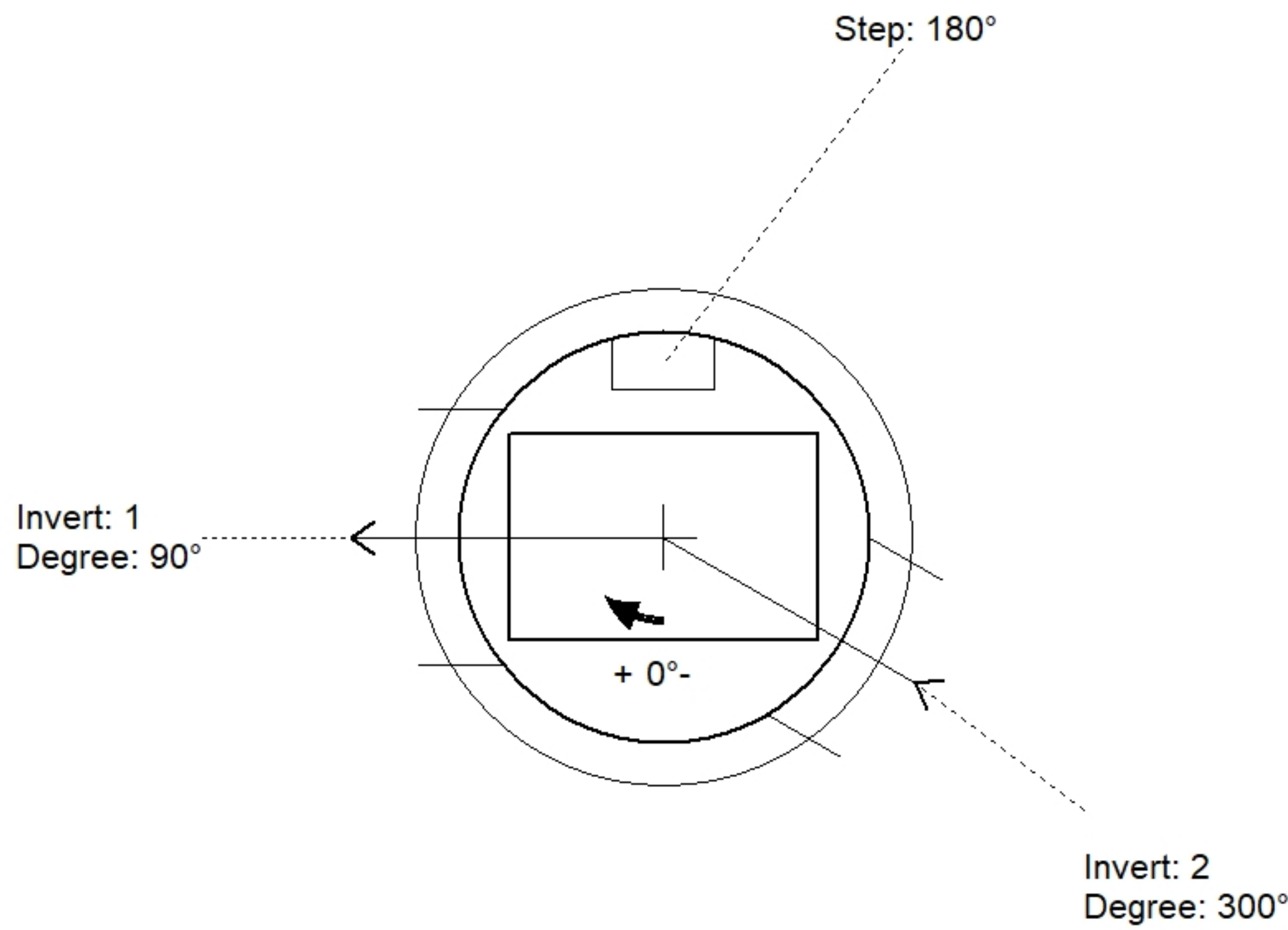
Structure ID: **CBI-B6**  
 Spec: Storm Rim: 402.93'  
 Type: STM.MH Invert: 398.8' Sump: 1.9"  
 Size: 48" Rim to Invert: 4.13' Floor (Top): 398.642'  
 Floor (Bot): 398.142'  
 Overall Height: 4.583'  
 Slack: 2.46"

**Structure Notes:**

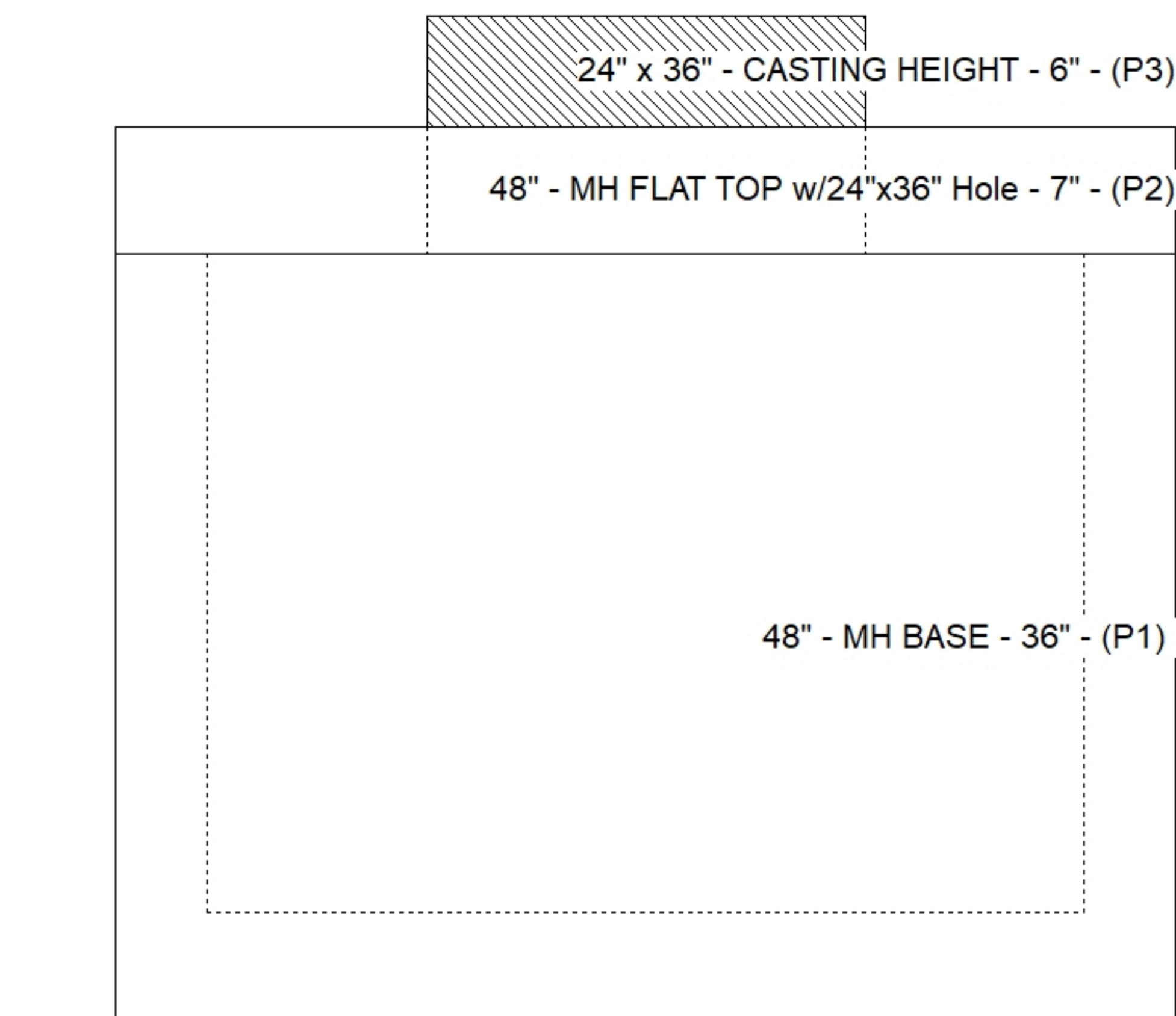
- JR-HOE 525 F/G/H PROVIDED BY ICAST. FLAT GRATE NOT LV.
- PER ASTM C478 SPECIFICATIONS.
- CONCRETE = 4,000 PSI AT 28 DAYS.
- REINFORCING PER ASTM A615 (GRADE 60).  
 - TOP SLAB (As .62) #5 BARS AT 6" C.C.E.W..  
 - RISER/WALLS (As .12)  
 - FLOOR (As .31) #5 BARS AT 12" C.C.E.W.

**STRUCTURE SUMMARY:**

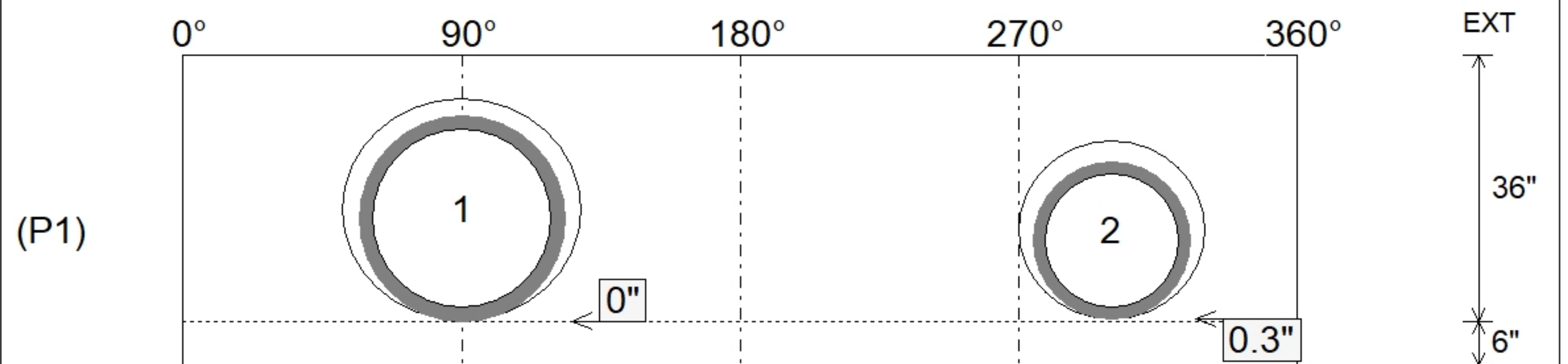
P3) 24" x 36" - CASTING HEIGHT - 6"	0 lb
P2) 48" - MH FLAT TOP w/24"x36" Hole - 7"	1044 lb
P1) 48" - MH BASE - 36"	3332 lb
1) CASTING - HOE 525 SET FLAT GRATE (F/G/H)	442 lb
1) 48" - SGL 1"x14.5' Butyl (2x)	0 lb
1) Hole - 30	0 lb
1) Hole - 24	0 lb
3) MH Step ML-10-TDS-NCR - 10"	0 lb
<b>Structure Total:</b>	<b>4818 lb</b>



Position	Elev	Angle	Pipe	Pipe OD	Hole	Connector	Up (")	Ref
Rim	402.93'							
Reducer								
Invert 1	398.8'	90°	24" HDPE	27.8"	30"	Hole 30	0"	P1
Invert 2	398.8'	300°	18" HDPE	21.2"	24"	Hole 24	0.3"	P1
Invert 3								
Invert 4								
Invert 5								
Invert 6								
Invert 7								
Invert 8								



**Default - Interior Dimensions**



Submittal Drawing  
 10/9/2025 10:40:22 AM

SUBMITTAL  
 APPROVED BY: