

Job Name: 25-1267B Grocery Owensboro KY
Job Location: Owensboro, KY
Contractor: Winwater Hartford KY Co.

PC: A. Chambers
 TECH: J. Coppage
 Plant: Beaver Dam



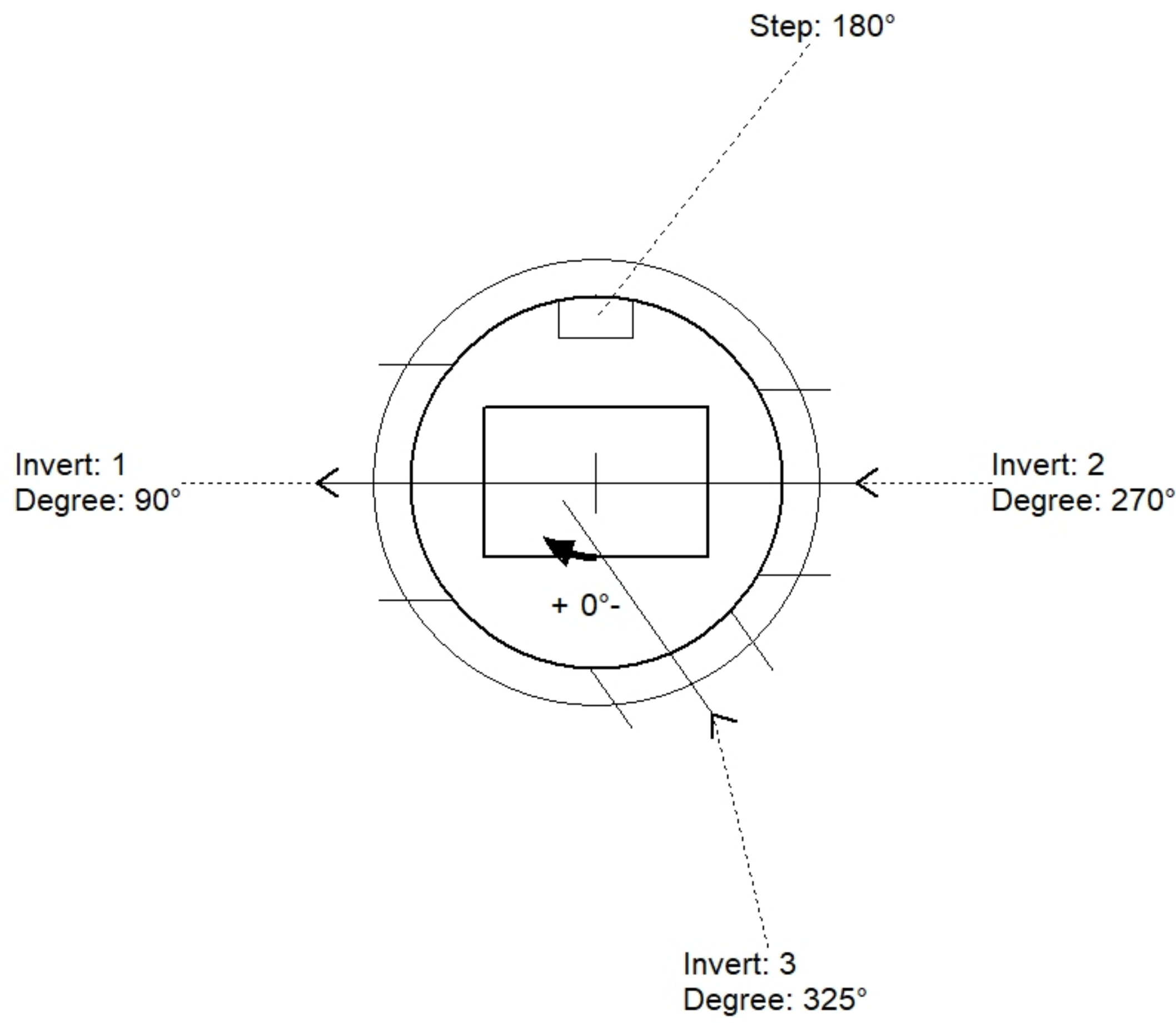
Structure ID: CBI-B5
 Spec: Storm Rim: 405.11' Sump: 2.55" Floor (Bot): 397.411'
 Type: STM.MH Invert: 398.29' Floor (Top): 398.078' Overall Height: 7.5'
 Size: 60" Rim to Invert: 6.82' Floor Height: 8" Slack: 2.39"

Structure Notes:

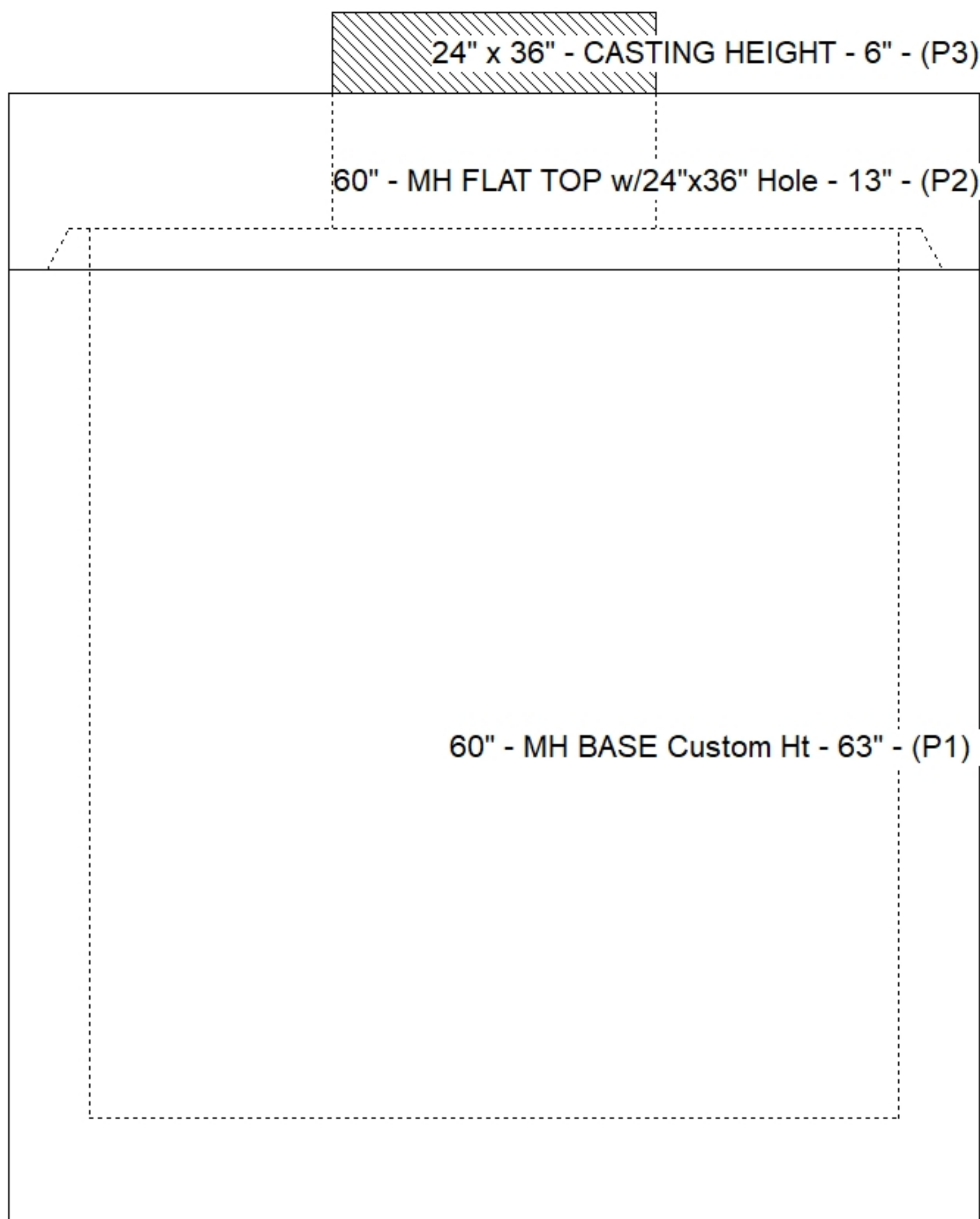
- JR-HOE 525 F/G/H PROVIDED BY ICAST. FLAT GRATE NOT LV.
- PER ASTM C478 SPECIFICATIONS.
- CONCRETE = 4,000 PSI AT 28 DAYS.
- REINFORCING PER ASTM A615 (GRADE 60).
 - TOP SLAB (As .62) #5 BARS AT 6" C.C.E.W..
 - RISER/WALLS (As .18)
 - FLOOR (As .37) #5 BARS AT 10" C.C.E.W.

STRUCTURE SUMMARY:

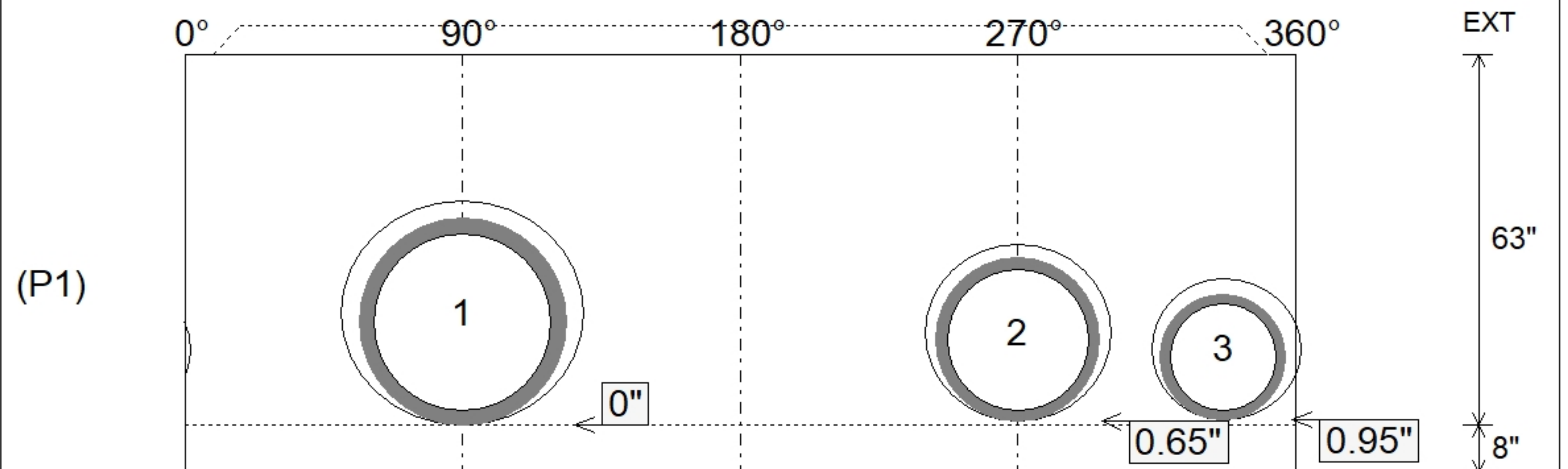
P3) 24" x 36" - CASTING HEIGHT - 6"	0 lb
P2) 60" - MH FLAT TOP w/24"x36" Hole - 13"	3499 lb
P1) 60" - MH BASE Custom Ht - 63"	8092 lb
1) CASTING - HOE 525 SET FLAT GRATE (F/G/H)	442 lb
1) 60" - SGL 1"x14.5' Butyl (2x)	0 lb
1) Hole - 38	0 lb
1) Hole - 30	0 lb
1) Hole - 24	0 lb
5) MH Step ML-10-TDS-NCR - 10"	0 lb
Structure Total:	12033 lb



Position	Elev	Angle	Pipe	Pipe OD	Hole	Connector	Up (L)	Ref
Rim	405.11'							
Reducer								
Invert 1	398.29'	90°	30" HDPE	35.1"	38"	Hole 38	0"	P1
Invert 2	398.29'	270°	24" HDPE	27.8"	30"	Hole 30	0.65"	P1
Invert 3	398.29'	325°	18" HDPE	21.2"	24"	Hole 24	0.95"	P1
Invert 4								
Invert 5								
Invert 6								
Invert 7								
Invert 8								



Default - Interior Dimensions



Submittal Drawing
 10/9/2025 10:40:22 AM

SUBMITTAL
 APPROVED BY: