

Job Name: 25-1267B Grocery Owensboro KY
Job Location: Owensboro, KY
Contractor: Winwater Hartford KY Co.

PC: A. Chambers
 TECH: J. Coppage
 Plant: Beaver Dam



Structure ID: CBI-B4

Spec: Storm
 Type: STM.MH
 Size: 60"

Rim: 403.46'
 Invert: 397.89'
 Rim to Invert: 5.57'

Sump: 2.55"
 Floor (Top): 397.678'
 Floor Height: 8"

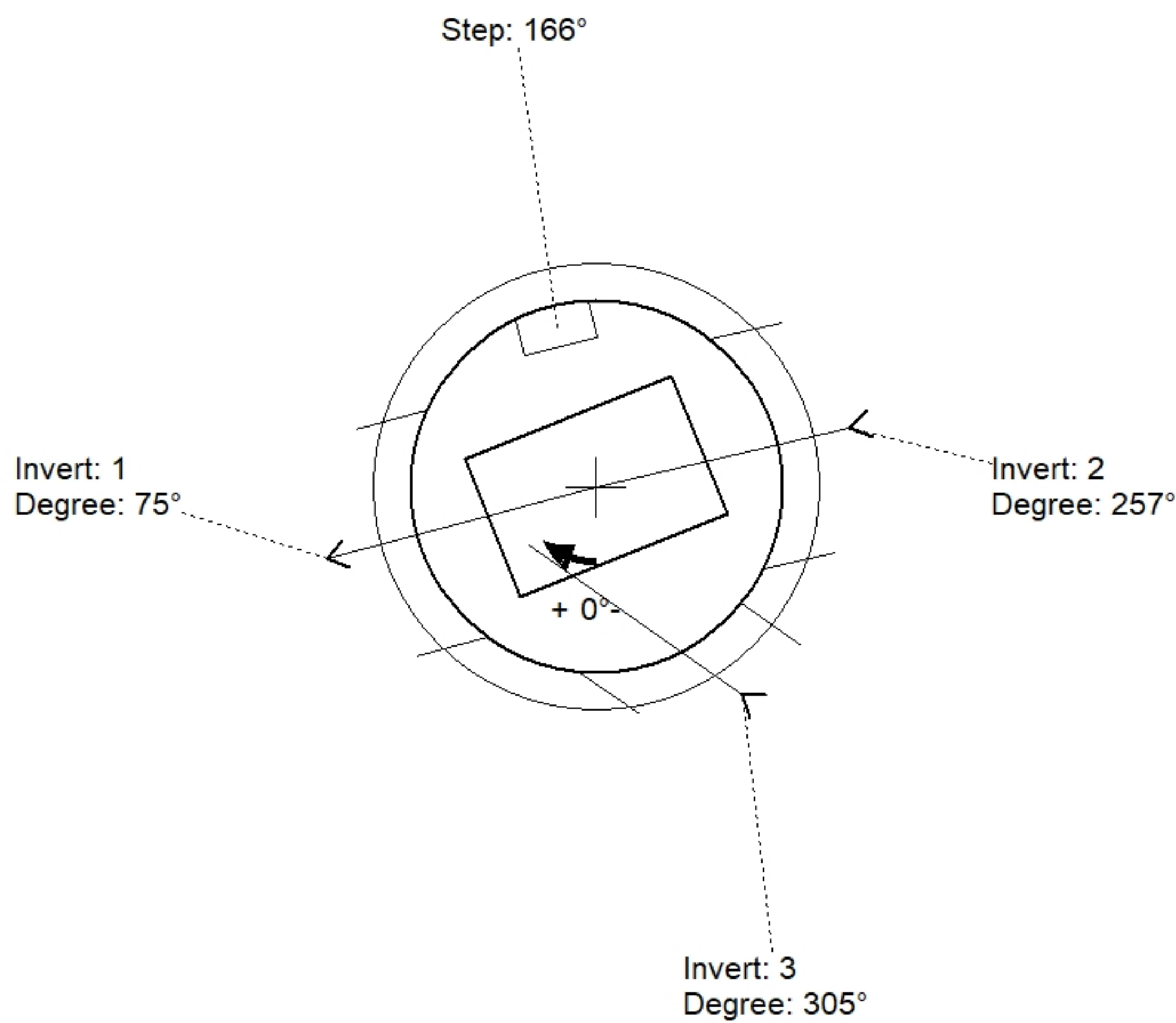
Floor (Bot): 397.011'
 Overall Height: 6.25'
 Slack: 2.39"

Structure Notes:

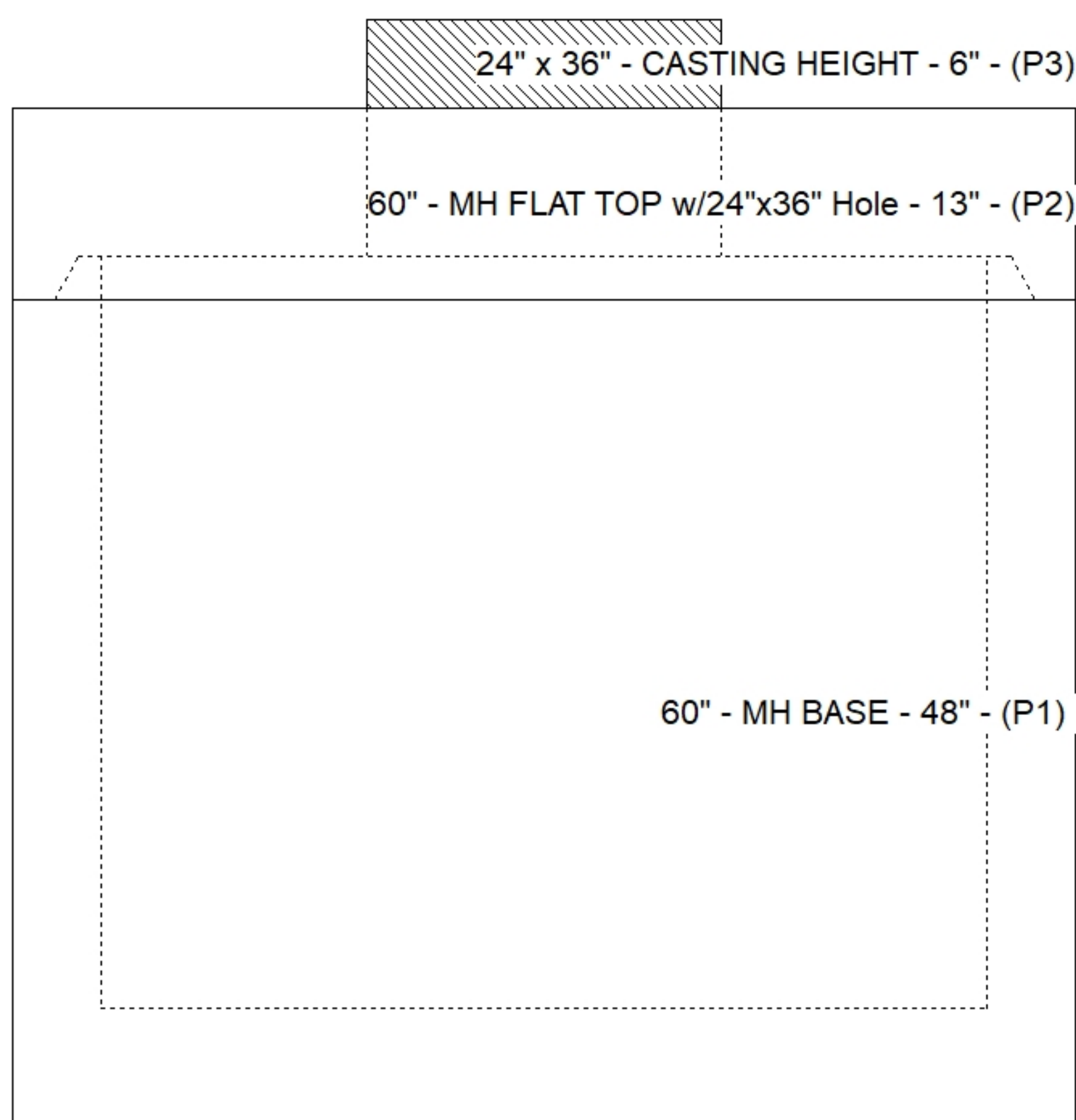
1. JR-HOE 525 F/G/H PROVIDED BY ICAST. FLAT GRATE NOT LV.
2. PER ASTM C478 SPECIFICATIONS.
3. CONCRETE = 4,000 PSI AT 28 DAYS.
4. REINFORCING PER ASTM A615 (GRADE 60).
 - TOP SLAB (As .62) #5 BARS AT 6" C.C.E.W..
 - RISER/WALLS (As .18)
 - FLOOR (As .37) #5 BARS AT 10" C.C.E.W.

STRUCTURE SUMMARY:

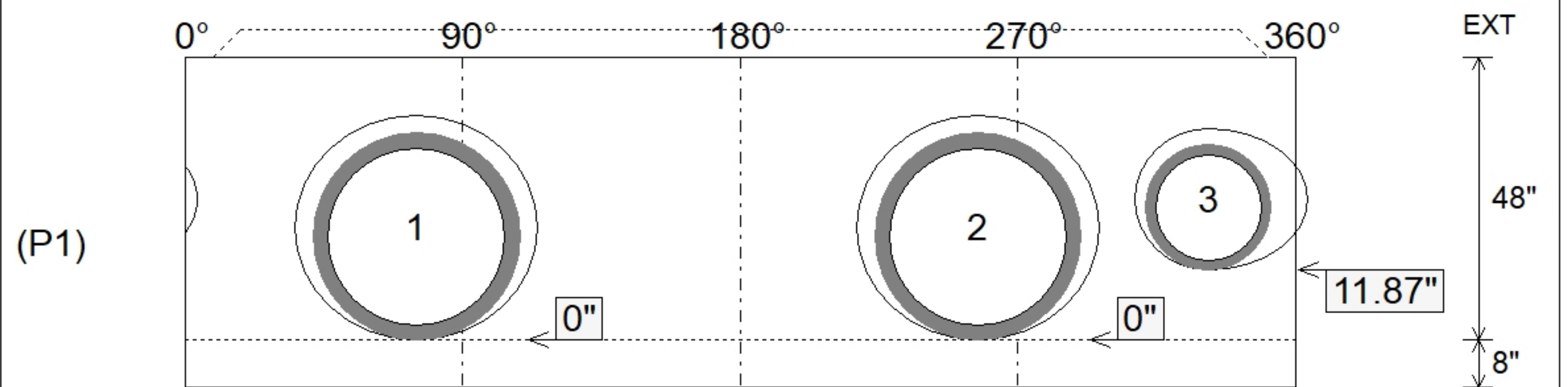
P3) 24" x 36" - CASTING HEIGHT - 6"	0 lb
P2) 60" - MH FLAT TOP w/24"x36" Hole - 13"	3499 lb
P1) 60" - MH BASE - 48"	6256 lb
1) CASTING - HOE 525 SET FLAT GRATE (F/G/H)	442 lb
1) 60" - SGL 1"x14.5' Butyl (2x)	0 lb
2) Hole - 38	0 lb
1) Hole - 24	0 lb
4) MH Step ML-10-TDS-NCR - 10"	0 lb
Structure Total:	10197 lb



Position	Elev	Angle	Pipe	Pipe OD	Hole	Connector	Up (")	Ref
Rim	403.46'							
Reducer								
Invert 1	397.89'	75°	30" HDPE	35.1"	38"	Hole 38	0"	P1
Invert 2	397.89'	257°	30" HDPE	35.1"	38"	Hole 38	0"	P1
Invert 3	398.8'	305°	18" HDPE	21.2"	24"	Hole 24	11.87"	P1
Invert 4								
Invert 5								
Invert 6								
Invert 7								
Invert 8								



Default - Interior Dimensions



Submittal Drawing
 10/9/2025 10:40:21 AM

SUBMITTAL
 APPROVED BY: