

Job Name: 25-1267B Grocery Owensboro KY
Job Location: Owensboro, KY
Contractor: Winwater Hartford KY Co.

PC: A. Chambers
 TECH: J. Coppage
 Plant: Beaver Dam



Structure ID: CBI-B2
 Spec: Storm
 Type: STM.MH
 Size: 60"

Rim: 402.24'
 Invert: 397.07'
 Rim to Invert: 5.17'

Sump: 3.5"
 Floor (Top): 396.778'
 Floor Height: 8"

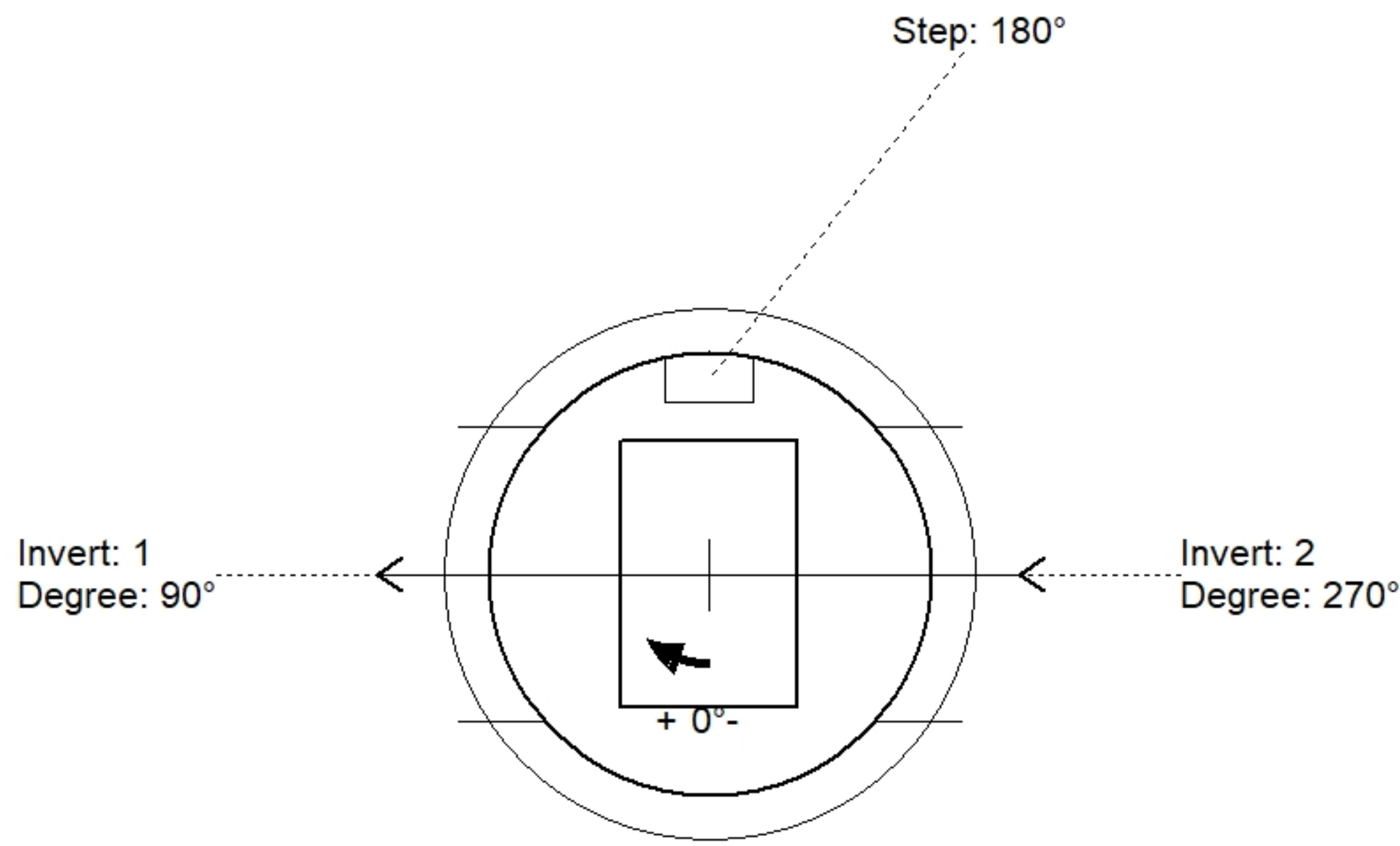
Floor (Bot): 396.112'
 Overall Height: 5.917'
 Slack: 2.54"

Structure Notes:

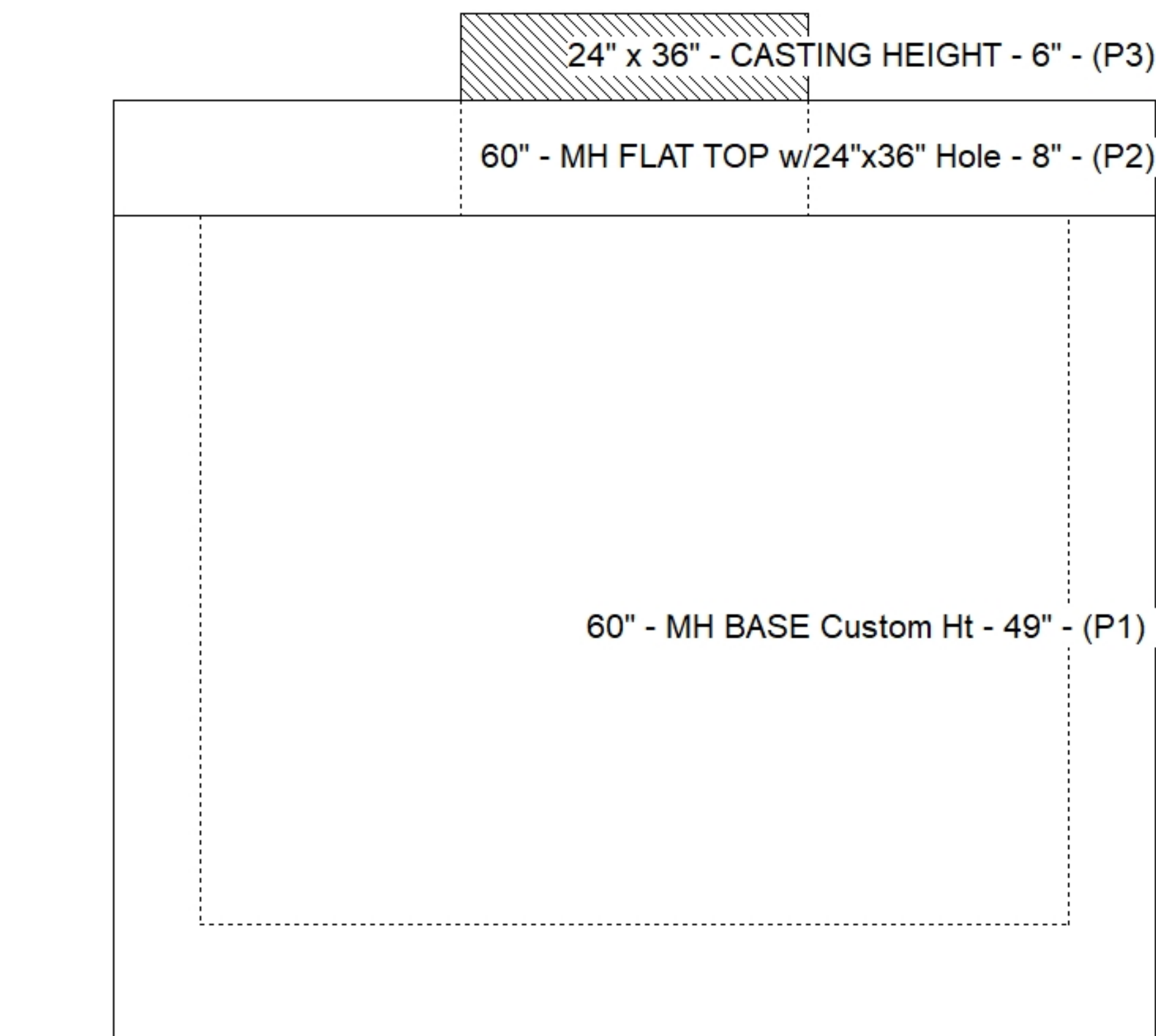
- JR-HOE 525 F/G/H PROVIDED BY ICAST. FLAT GRATE NOT LV.
- PER ASTM C478 SPECIFICATIONS.
- CONCRETE = 4,000 PSI AT 28 DAYS.
- REINFORCING PER ASTM A615 (GRADE 60).
 - TOP SLAB (As .62) #5 BARS AT 6" C.C.E.W..
 - RISER/WALLS (As .18)
 - FLOOR (As .37) #5 BARS AT 10" C.C.E.W.

STRUCTURE SUMMARY:

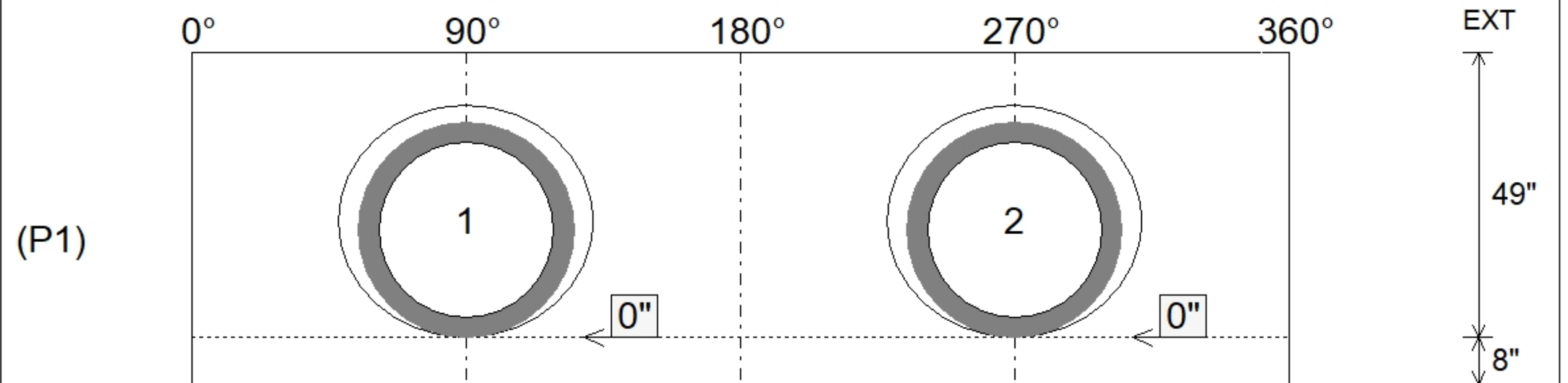
P3) 24" x 36" - CASTING HEIGHT - 6"	0 lb
P2) 60" - MH FLAT TOP w/24"x36" Hole - 8"	2153 lb
P1) 60" - MH BASE Custom Ht - 49"	6485 lb
1) CASTING - HOE 525 SET FLAT GRATE (F/G/H)	442 lb
1) 60" - SGL 1"x14.5' Butyl (2x)	0 lb
2) Hole - 40	0 lb
4) MH Step ML-10-TDS-NCR - 10"	0 lb
Structure Total:	9080 lb



Position	Elev	Angle	Pipe	Pipe OD	Hole	Connector	Up ()	Ref
Rim	402.24'							
Reducer								
Invert 1	397.07'	90°	30" RCP B WALL	37"	40"	Hole 40	0"	P1
Invert 2	397.07'	270°	30" RCP B WALL	37"	40"	Hole 40	0"	P1
Invert 3								
Invert 4								
Invert 5								
Invert 6								
Invert 7								
Invert 8								



Default - Interior Dimensions



Submittal Drawing
 10/9/2025 10:40:21 AM

SUBMITTAL
 APPROVED BY: