

**Job Name: 25-1267B Grocery Owensboro KY**  
**Job Location: Owensboro, KY**  
**Contractor: Winwater Hartford KY Co.**

PC: A. Chambers  
 TECH: J. Coppage  
 Plant: Beaver Dam



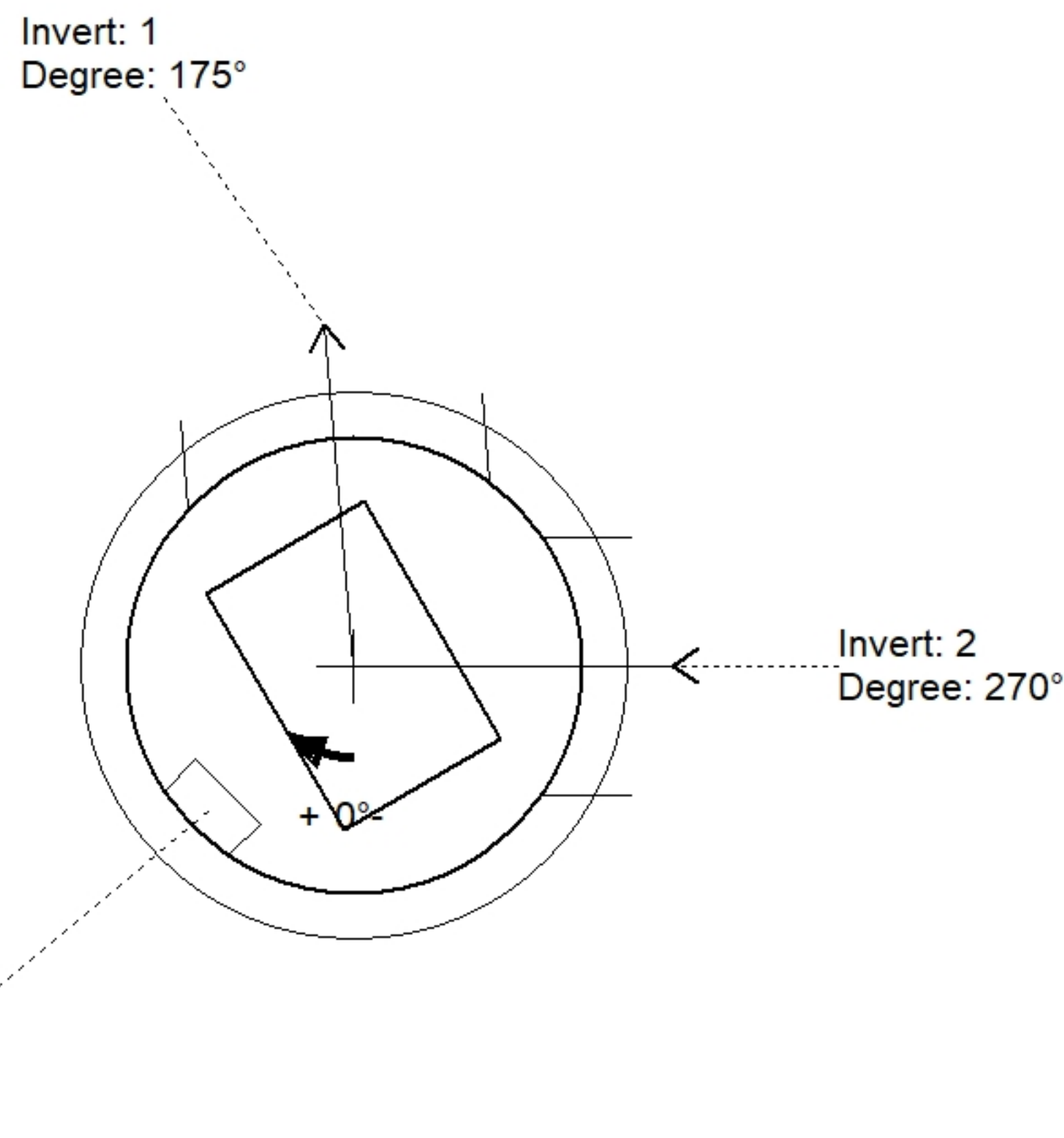
Structure ID: **CBI-A5.1**  
 Spec: Storm Rim: 402.82' Sump: 3.5" Floor (Bot): 397.912'  
 Type: STM.MH Invert: 398.87' Floor (Top): 398.578' Overall Height: 4.833'  
 Size: 60" Rim to Invert: 3.95' Floor Height: 8" Slack: 0.9"

**Structure Notes:**

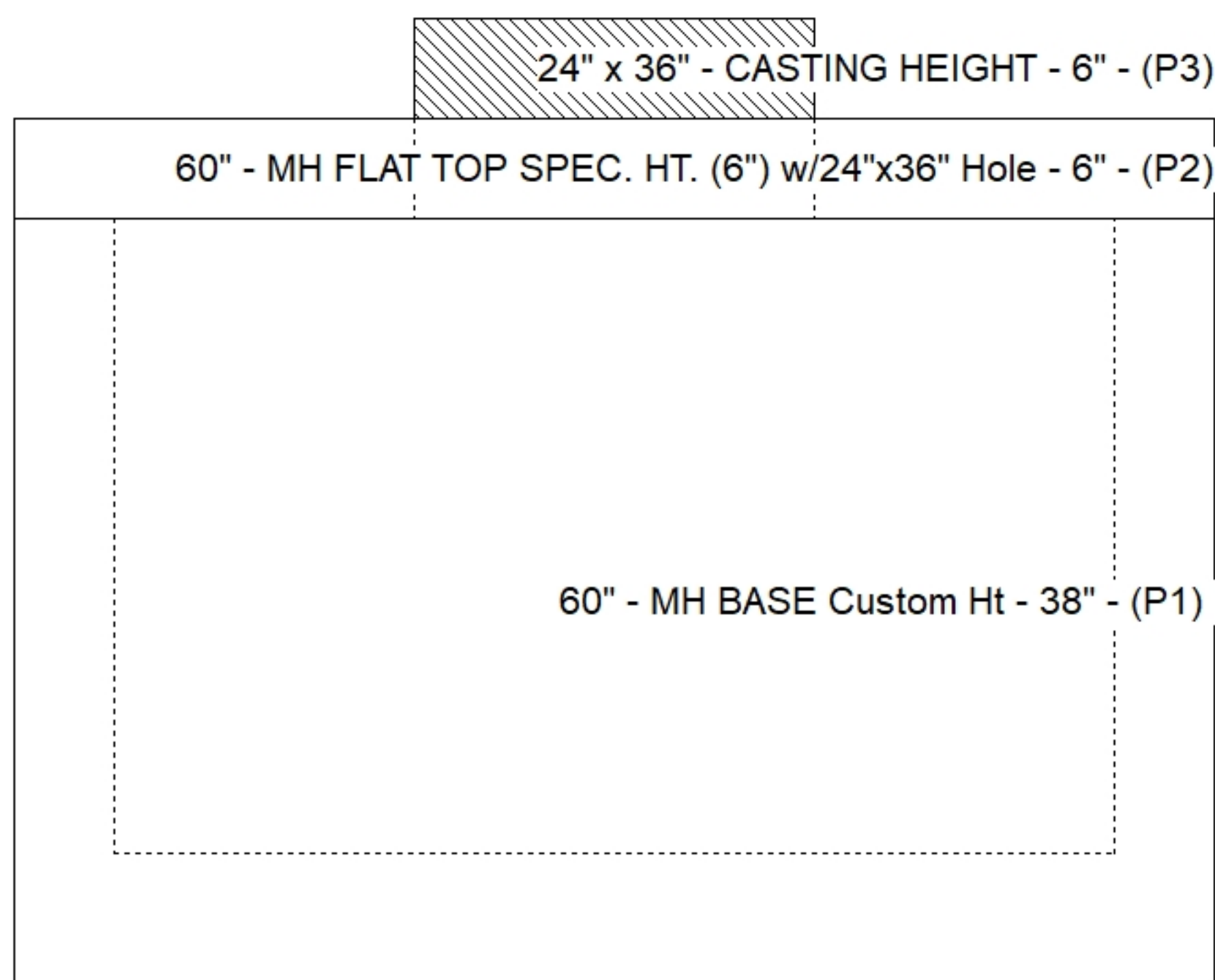
- JR-HOE 525 F/G/H PROVIDED BY ICAST. FLAT GRATE NOT LV.
- PER ASTM C478 SPECIFICATIONS.
- CONCRETE = 4,000 PSI AT 28 DAYS.
- REINFORCING PER ASTM A615 (GRADE 60).  
 - TOP SLAB (As .62) #5 BARS AT 6" C.C.E.W..  
 - RISER/WALLS (As .18)  
 - FLOOR (As .37) #5 BARS AT 10" C.C.E.W.

**STRUCTURE SUMMARY:**

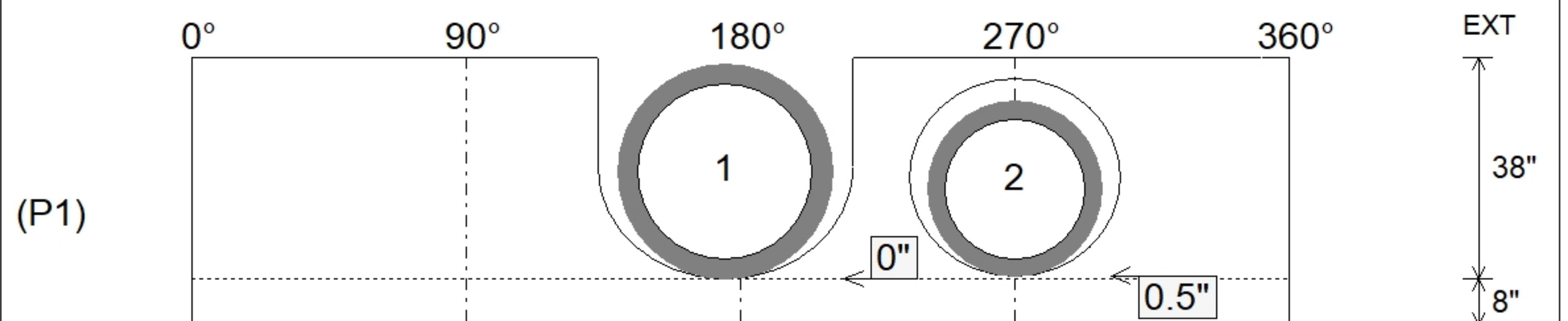
|  |                |
|--|----------------|
| P3) 24" x 36" - CASTING HEIGHT - 6"                      | 0 lb           |
| P2) 60" - MH FLAT TOP SPEC. HT. (6") w/24"x36" Hole - 6" | 1615 lb        |
| P1) 60" - MH BASE Custom Ht - 38"                        | 5483 lb        |
| 1) CASTING - HOE 525 SET FLAT GRATE (F/G/H)              | 442 lb         |
| 1) 60" - SGL 1"x14.5' Butyl (2x)                         | 0 lb           |
| 1) DOGHOUSE INVRTD - 40"x38"                             | 0 lb           |
| 1) Hole - 34   | 0 lb           |
| 3) MH Step ML-10-TDS-NCR - 10"                           | 0 lb           |
| <b>Structure Total:</b>                                  | <b>7540 lb</b> |



| Position | Elev    | Angle | Pipe           | Pipe OD | Hole      | Connector               | Up ( ) | Ref |
|----------|---------|-------|----------------|---------|-----------|-------------------------|--------|-----|
| Rim      | 402.82' |       |                |         |           |                         |        |     |
| Reducer  |         |       |                |         |           |                         |        |     |
| Invert 1 | 398.87' | 175°  | 30" RCP B WALL | 37"     | 40" x 38" | DOGHOUSE INVRTD 40"x38" | 0"     | P1  |
| Invert 2 | 398.87' | 270°  | 24" RCP B WALL | 30"     | 34"       | Hole 34                 | 0.5"   | P1  |
| Invert 3 |         |       |                |         |           |                         |        |     |
| Invert 4 |         |       |                |         |           |                         |        |     |
| Invert 5 |         |       |                |         |           |                         |        |     |
| Invert 6 |         |       |                |         |           |                         |        |     |
| Invert 7 |         |       |                |         |           |                         |        |     |
| Invert 8 |         |       |                |         |           |                         |        |     |



**Default - Interior Dimensions**



Submittal Drawing  
 10/9/2025 10:40:12 AM

SUBMITTAL  
 APPROVED BY: