

Job Name: 25-1267B Grocery Owensboro KY
Job Location: Owensboro, KY
Contractor: Winwater Hartford KY Co.

PC: A. Chambers
 TECH: J. Coppage
 Plant: Beaver Dam



Structure ID: **CBI-A4**
 Spec: Storm
 Type: STM.MH
 Size: 60"

Rim: 404.52'
 Invert: 397.73'
 Rim to Invert: 6.79'

Sump: 2.85"
 Floor (Top): 397.493'
 Floor Height: 8"

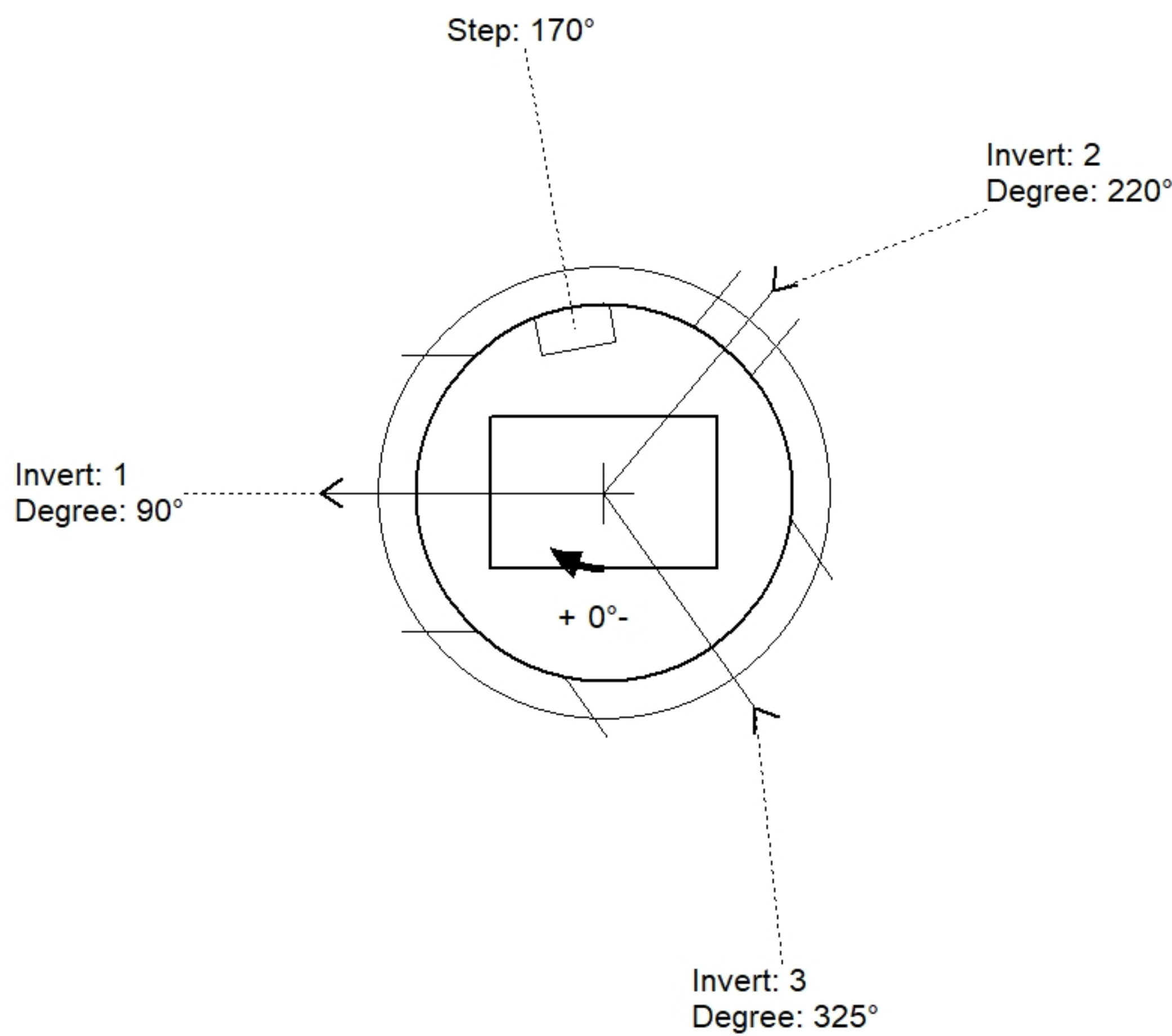
Floor (Bot): 396.826'
 Overall Height: 7.5'
 Slack: 2.33"

Structure Notes:

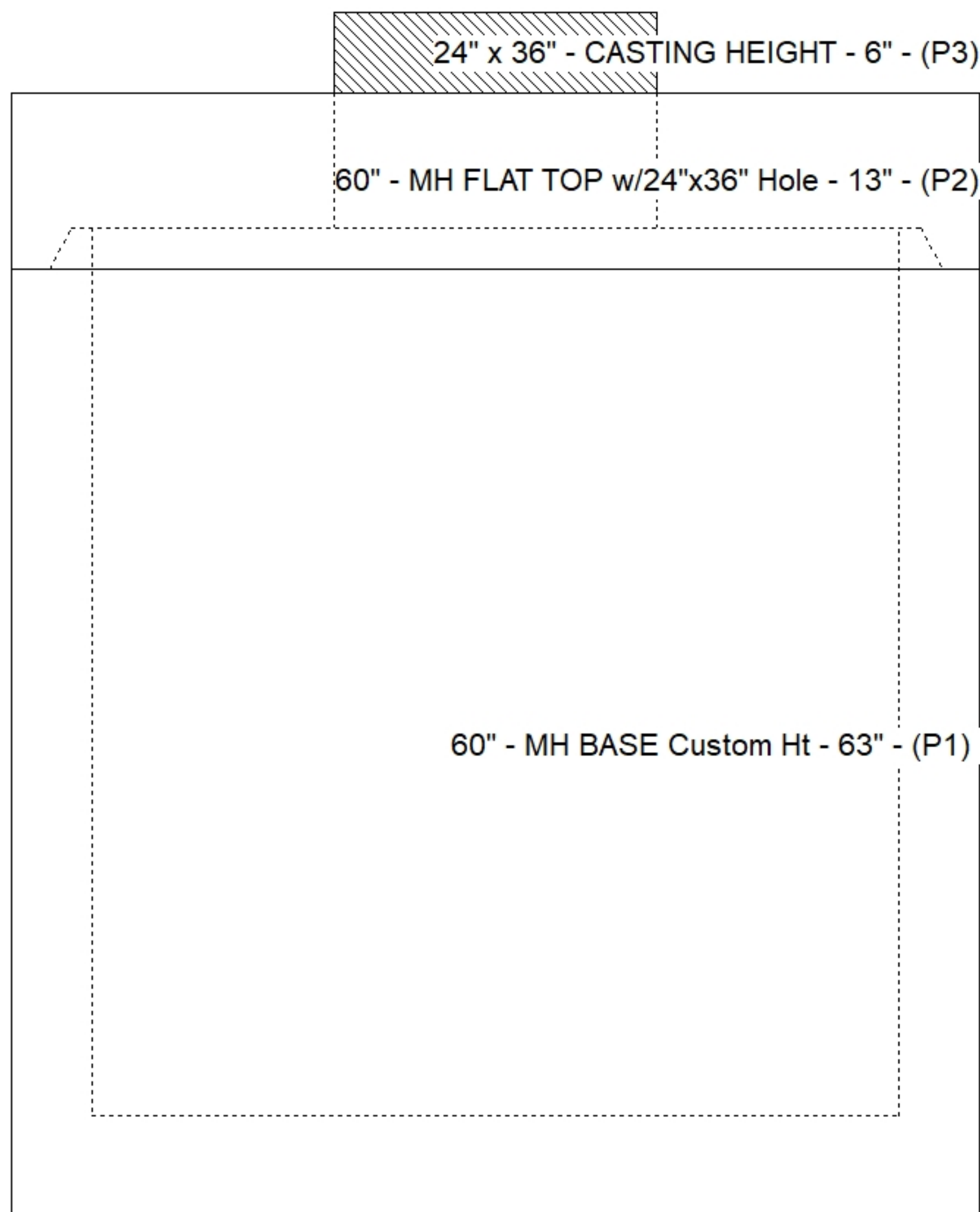
- JR-HOE 525 F/G/H PROVIDED BY ICAST. FLAT GRATE NOT LV.
- PER ASTM C478 SPECIFICATIONS.
- CONCRETE = 4,000 PSI AT 28 DAYS.
- REINFORCING PER ASTM A615 (GRADE 60).
 - TOP SLAB (As .62) #5 BARS AT 6" C.C.E.W..
 - RISER/WALLS (As .18)
 - FLOOR (As .37) #5 BARS AT 10" C.C.E.W.

STRUCTURE SUMMARY:

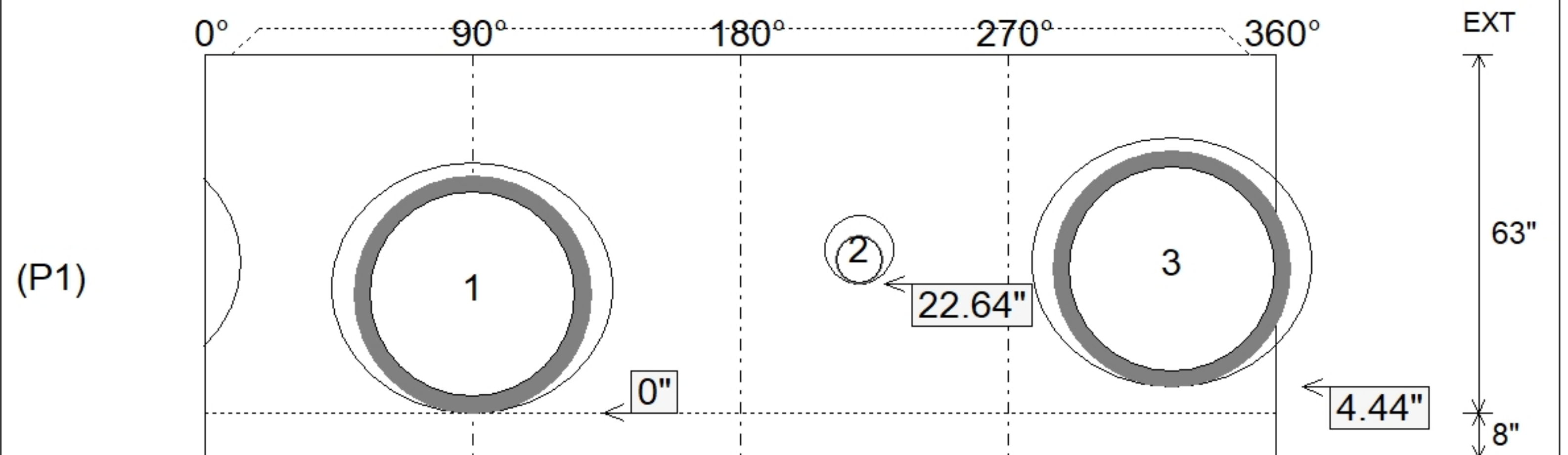
P3) 24" x 36" - CASTING HEIGHT - 6"	0 lb
P2) 60" - MH FLAT TOP w/24"x36" Hole - 13"	3499 lb
P1) 60" - MH BASE Custom Ht - 63"	7570 lb
1) CASTING - HOE 525 SET FLAT GRATE (F/G/H)	442 lb
1) 60" - SGL 1"x14.5' Butyl (2x)	0 lb
2) Hole - 44	0 lb
1) Hole - 12	0 lb
5) MH Step ML-10-TDS-NCR - 10"	0 lb
Structure Total:	11511 lb



Position	Elev	Angle	Pipe	Pipe OD	Hole	Connector	Up (")	Ref
Rim	404.52'							
Reducer								
Invert 1	397.73'	90°	36" HDPE	41.7"	44"	Hole 44	0"	P1
Invert 2	399.4'	220°	8" PVC SDR35	8.5"	12"	Hole 12	22.64"	P1
Invert 3	398.1'	325°	36" HDPE	41.7"	44"	Hole 44	4.44"	P1
Invert 4								
Invert 5								
Invert 6								
Invert 7								
Invert 8								



Default - Interior Dimensions



Submittal Drawing
 10/9/2025 10:40:11 AM

SUBMITTAL
 APPROVED BY: