

Job Name: 25-1267B Grocery Owensboro KY
Job Location: Owensboro, KY
Contractor: Winwater Hartford KY Co.

PC: A. Chambers
 TECH: J. Coppage
 Plant: Beaver Dam



Structure ID: CBI-A3

Spec: Storm
 Type: BX 8inW, 8inF
 Size: 48" x 48"

Rim: 402.51'
 Invert: 397.25'
 Rim to Invert: 5.26'

Sump: 4"
 Floor (Top): 396.917'
 Floor Height: 8"

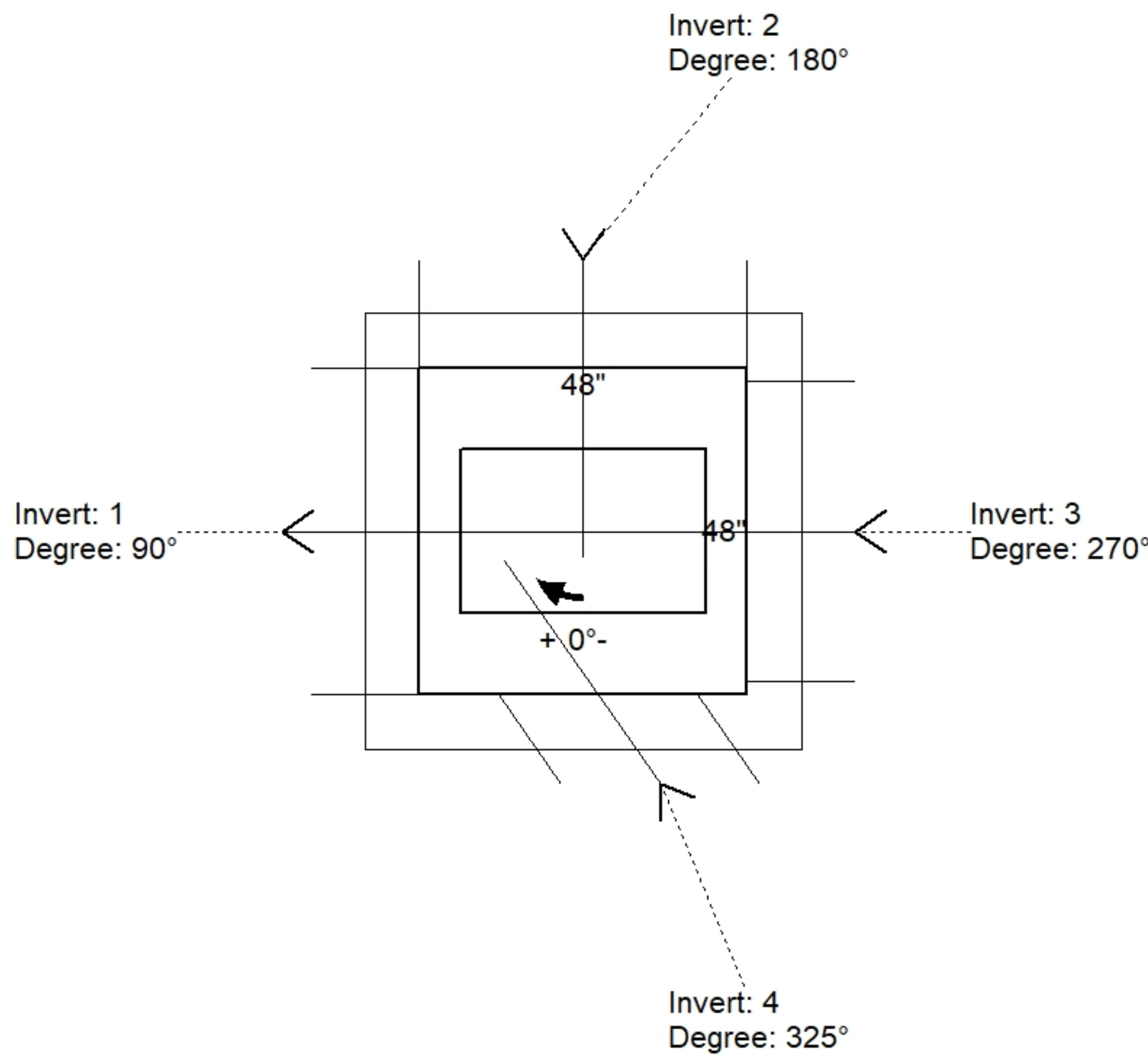
Floor (Bot): 396.25'
 Overall Height: 6.167'
 Slack: 1.12"

Structure Notes:

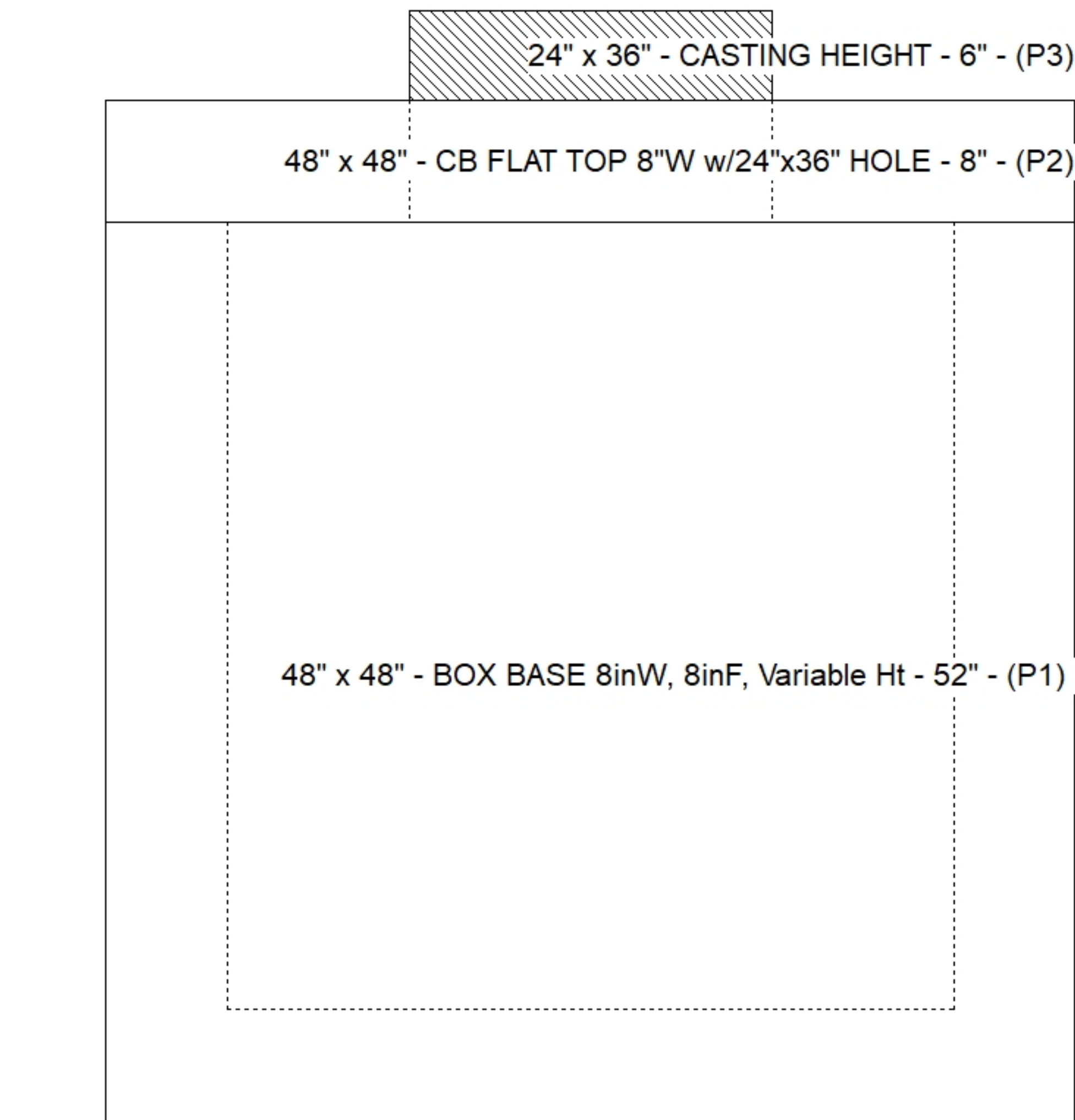
1. JR-HOE 525 F/G/H PROVIDED BY ICAST. FLAT GRATE NOT LV.
2. PER ASTM C913 SPECIFICATIONS.
3. CONCRETE = 4,000 PSI AT 28 DAYS.
4. REINFORCING PER ASTM A615 (GRADE 60).
 - TOP SLAB (As .62) #5 BARS AT 6" C.C.E.W.
 - WALLS (As .12) #5 BARS AT 12" C.C.E.W.
 - FLOOR (As .12) #5 BARS AT 12" C.C.E.W.

STRUCTURE SUMMARY:

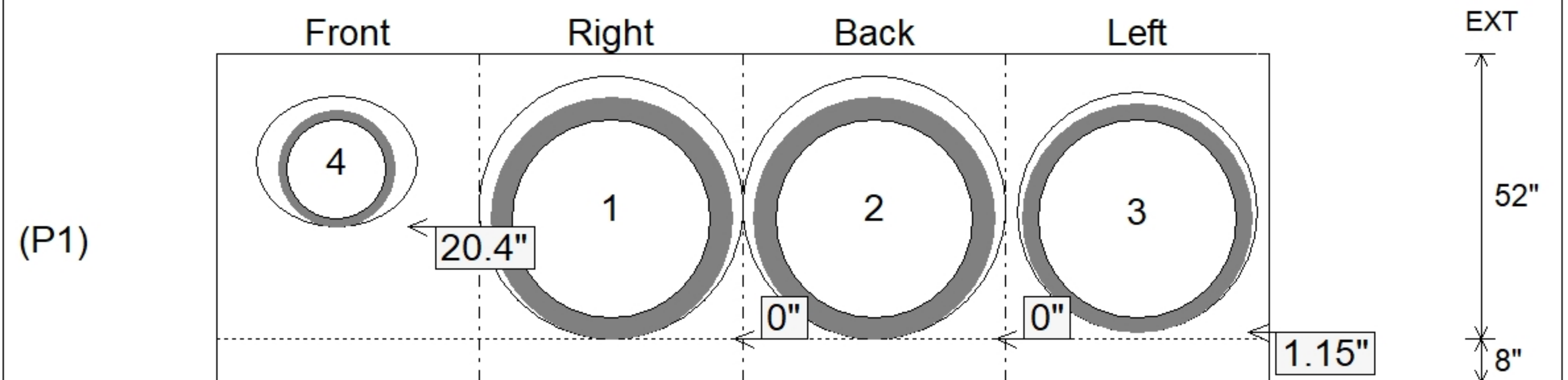
P3) 24" x 36" - CASTING HEIGHT - 6"	0 lb
P2) 48" x 48" - CB FLAT TOP 8"W w/24"x36" HOLE - 8"	2170 lb
P1) 48" x 48" - BOX BASE 8inW, 8inF, Variable Ht - 52"	7355 lb
1) CASTING - HOE 525 SET FLAT GRATE (F/G/H)	442 lb
2) Hole - 48	0 lb
1) Hole - 44	0 lb
1) Hole - 24	0 lb
Structure Total:	9967 lb



Position	Elev	Angle	Pipe	Pipe OD	Hole	Connector	Up ()	Ref
Rim	402.51'							
Reducer								
Invert 1	397.25'	90°	36" RCP B WALL	44"	48"	Hole 48	0"	P1
Invert 2	397.25'	180°	36" RCP B WALL	44"	48"	Hole 48	0"	P1
Invert 3	397.25'	270°	36" HDPE	41.7"	44"	Hole 44	1.15"	P1
Invert 4	398.75'	325°	18" HDPE	21.2"	24"	Hole 24	20.4"	P1
Invert 5								
Invert 6								
Invert 7								
Invert 8								



Default - Interior Dimensions



Submittal Drawing
 10/9/2025 10:40:10 AM

SUBMITTAL
 APPROVED BY: