

Job Name: 25-1267B Grocery Owensboro KY
Job Location: Owensboro, KY
Contractor: Winwater Hartford KY Co.

PC: A. Chambers
 TECH: J. Coppage
 Plant: Beaver Dam



Structure ID: CBI-A2

Spec: Storm
 Type: STM.MH
 Size: 60"

Rim: 403.07'
 Invert: 397.06'
 Rim to Invert: 6.01'

Sump: 4"
 Floor (Top): 396.727'
 Floor Height: 8"

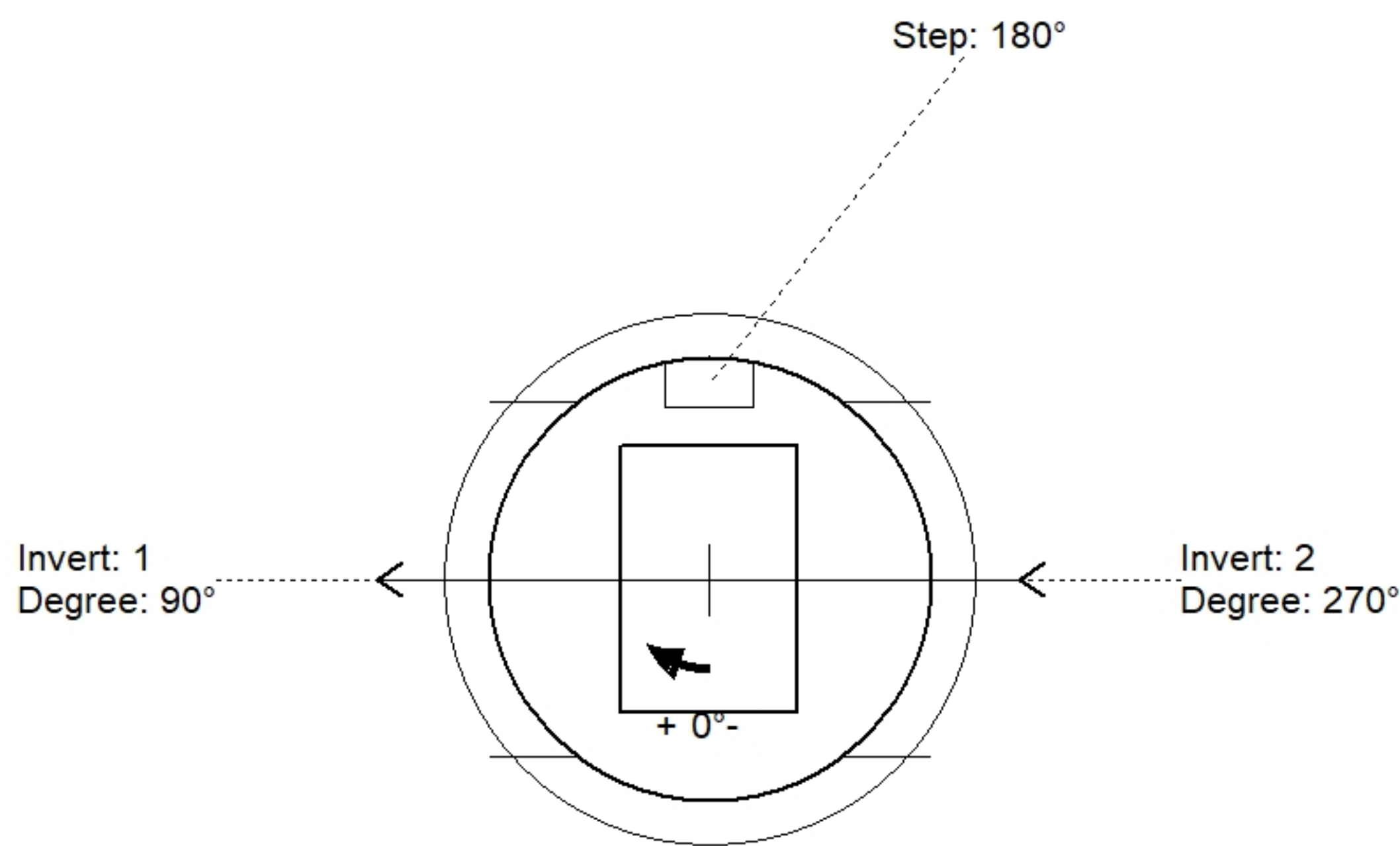
Floor (Bot): 396.06'
 Overall Height: 6.75'
 Slack: 3.12"

Structure Notes:

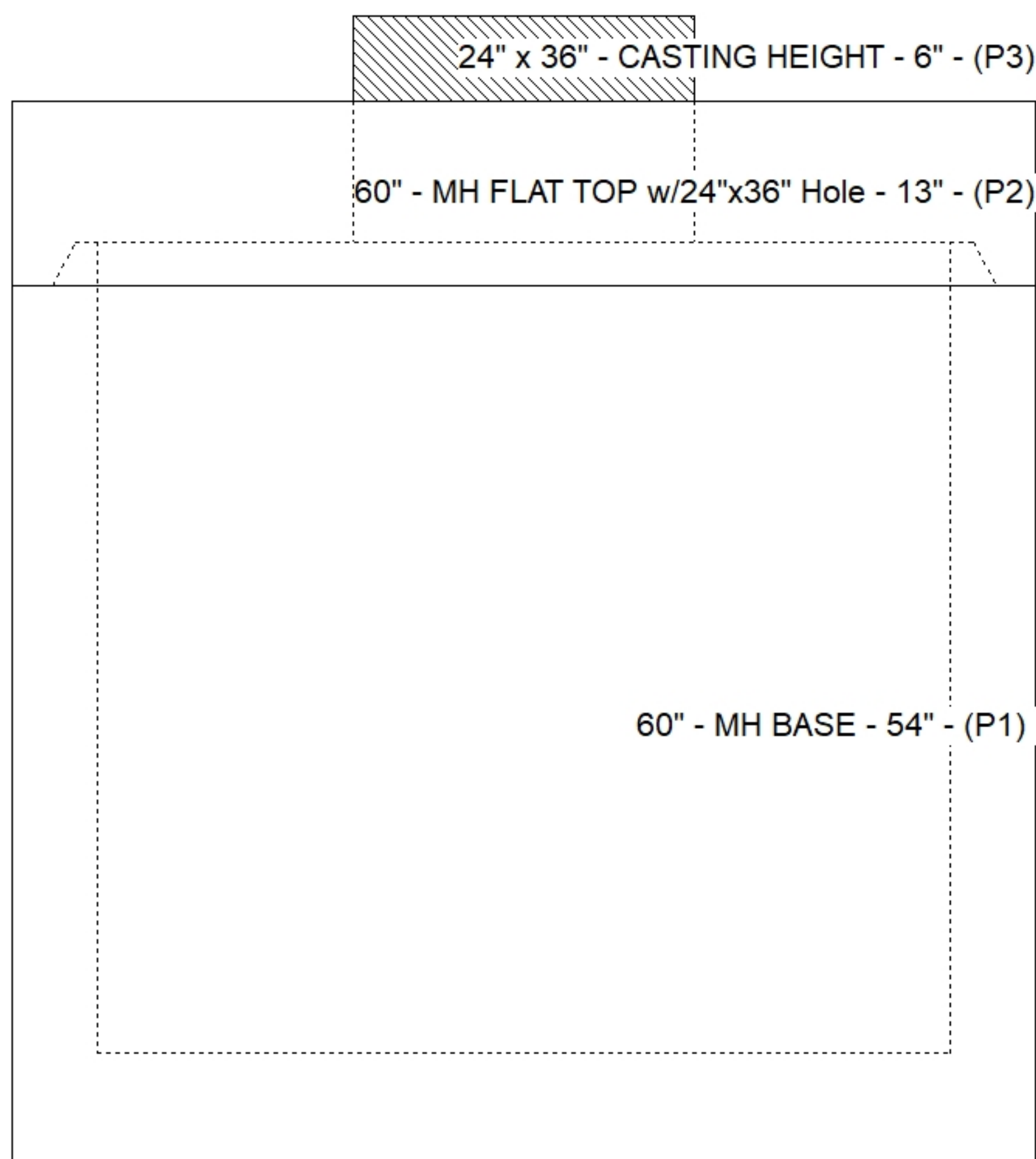
1. JR-HOE 525 F/G/H PROVIDED BY ICAST. FLAT GRATE NOT LV.
2. PER ASTM C478 SPECIFICATIONS.
3. CONCRETE = 4,000 PSI AT 28 DAYS.
4. REINFORCING PER ASTM A615 (GRADE 60).
 - TOP SLAB (As .62) #5 BARS AT 6" C.C.E.W..
 - RISER/WALLS (As .18)
 - FLOOR (As .37) #5 BARS AT 10" C.C.E.W.

STRUCTURE SUMMARY:

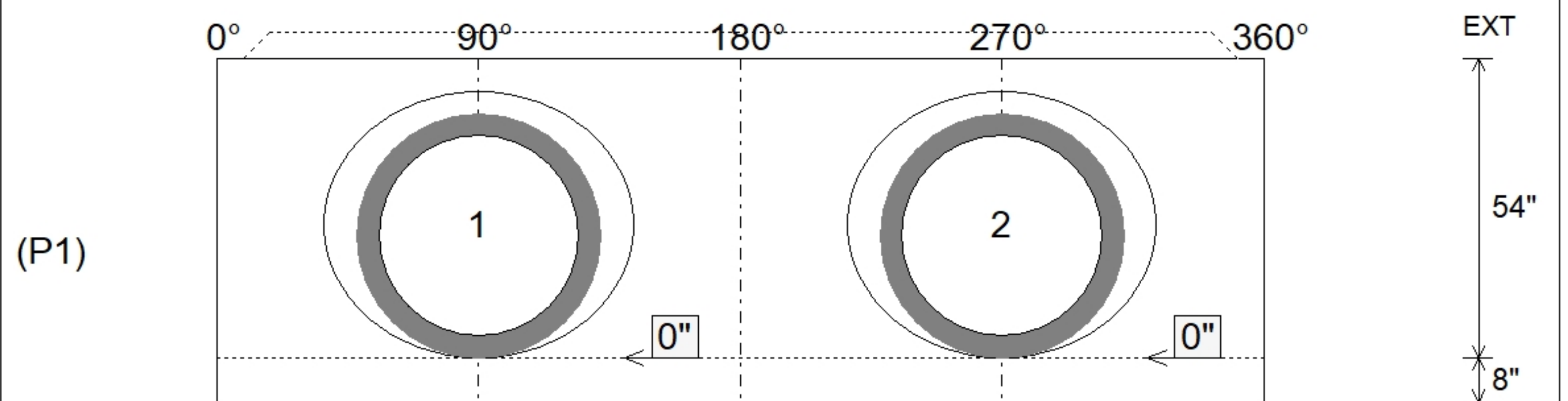
P3) 24" x 36" - CASTING HEIGHT - 6"	0 lb
P2) 60" - MH FLAT TOP w/24"x36" Hole - 13"	3499 lb
P1) 60" - MH BASE - 54"	6317 lb
1) CASTING - HOE 525 SET FLAT GRATE (F/G/H)	442 lb
1) 60" - SGL 1"x14.5' Butyl (2x)	0 lb
2) Hole - 48	0 lb
4) MH Step ML-10-TDS-NCR - 10"	0 lb
Structure Total:	10258 lb



Position	Elev	Angle	Pipe	Pipe OD	Hole	Connector	Up ()	Ref
Rim	403.07'							
Reducer								
Invert 1	397.06'	90°	36" RCP B WALL	44"	48"	Hole 48	0"	P1
Invert 2	397.06'	270°	36" RCP B WALL	44"	48"	Hole 48	0"	P1
Invert 3								
Invert 4								
Invert 5								
Invert 6								
Invert 7								
Invert 8								



Default - Interior Dimensions



Submittal Drawing
 10/9/2025 10:40:09 AM

SUBMITTAL
 APPROVED BY: